



SOCKETS FOR C2 RELAYS

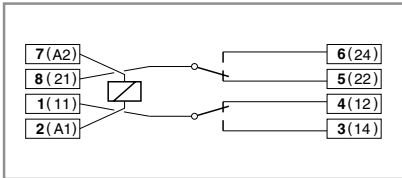
- Built in retaining clip
- Removable label marking facility
- Coding ring compatible
- One or two level terminals
- DIN rail, solder tag or PCB mount



S2-B One level. Integrated clip and marking label

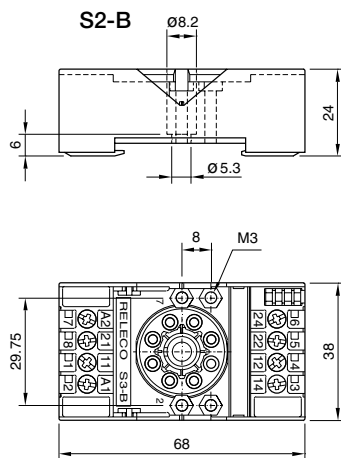
Accepts the exclusive Releco coding ring for coding both the relay and base. DIN rail or panel mountable. Removable label. EN/DIN and sequential numbering. According to EN60947

Wiring diagram



Specifications

Nominal load	10A/300V
Dielectric strength (adjacent screws)	2,5 KV
Dielectric strength (screws/rail)	2,5 KV
Max. screw torque	1,2 Nm
Screw dimensions	M3, Pozi
Wire in-lets capacity:	
Solid wire	4 mm ² or 2 x 2,25 mm ²
Multi-core	22 - 14 AWG



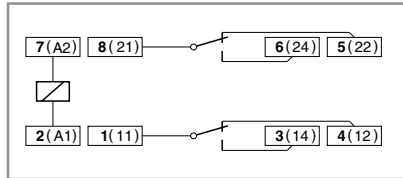
S2-BC Coding Ring

Can be used to code a specific relay to fit a specific socket up to 8 combinations. Supplied in a pack of 5 pieces.

S2-S Two level. Integrated clip and marking label

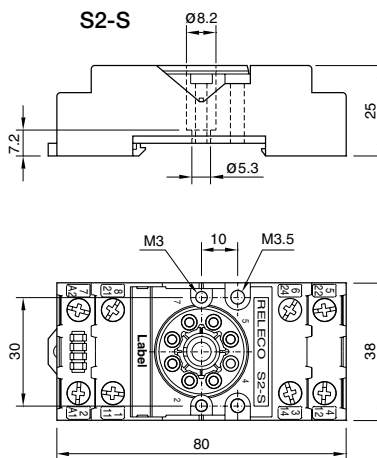
Accepts the exclusive Releco coding ring for coding both the relay and base. DIN rail or panel mountable. Removable label. EN/DIN and sequential numbering. According to EN60947

Wiring diagram



Specifications

Nominal load	10A/300V
Dielectric strength (adjacent screws)	2,5 KV
Dielectric strength (screws/rail)	2,5 KV
Max. screw torque	1,2 Nm
Screw dimensions	M3, Pozi
Wire in-lets capacity:	
Solid wire	4 mm ² or 2 x 2,25 mm ²
Multi-core	22 - 14 AWG

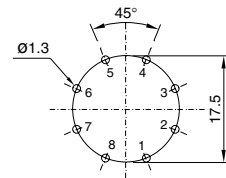


S2-L S2-PO 8 pin, solder and printed circuit tags

S2-L Flange panel mountable.

S2-PO Printed circuit tags with flange.

Printed circuit lay-out



Specifications

Nominal load	10 A/300 V
Dielectric strength (adjacent pin)	2,5 KV
Hard brass, tin-plated terminals	

S2-L S2-PO

