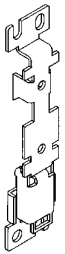


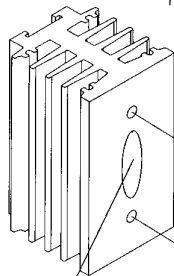
Solid State Relays Accessories Type RHS... Heatsink Assemblies



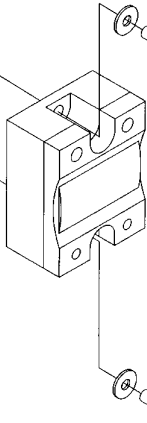
RHS45A
Heatsink assembly with DIN-rail adapter for 1-phase SSRs. Type RHS45A is a complete heatsink kit not including the SSR. A 40x40 mm fan may be mounted onto the heatsink.



DIN rail adapter



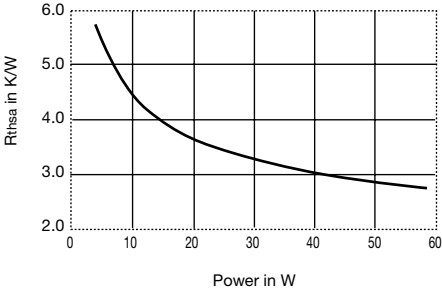
Heatsink type RHS45AX



Single-phase relay

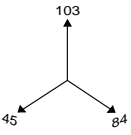
Heatsink Compound

2 screws M5 X 8 mm
2 washers dia. 5.4 X 10 mm
Max. mounting torque 2.0 Nm



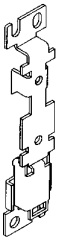
Graph showing R_{thsa} in K/W vs Power in W for RHS45A:

Power in W	R_{thsa} in K/W
0	6.0
10	4.5
20	3.8
30	3.4
40	3.2
50	3.1
60	3.0

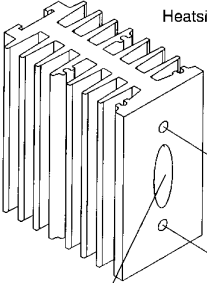


Orientation diagram: 103 (top), 45 (left), 84 (right)

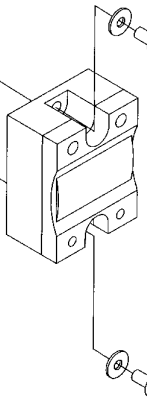
RHS45B
Heatsink assembly with DIN-rail adapter for 1-phase SSRs. Type RHS45B is a complete heatsink kit not including the SSR. A 40x40 mm fan may be mounted onto the heatsink.



DIN rail adapter



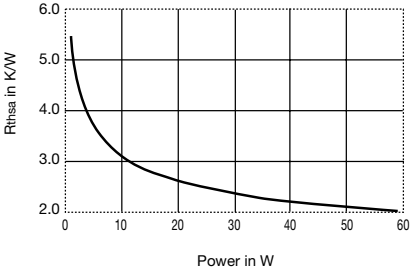
Heatsink type RHS45BX



Single-phase relay

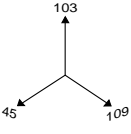
Heatsink Compound

2 screws M5 X 8 mm
2 washers dia. 5.4 X 10 mm
Max mounting torque 2.0 Nm



Graph showing R_{thsa} in K/W vs Power in W for RHS45B:

Power in W	R_{thsa} in K/W
0	6.0
10	4.5
20	3.8
30	3.4
40	3.2
50	3.1
60	3.0

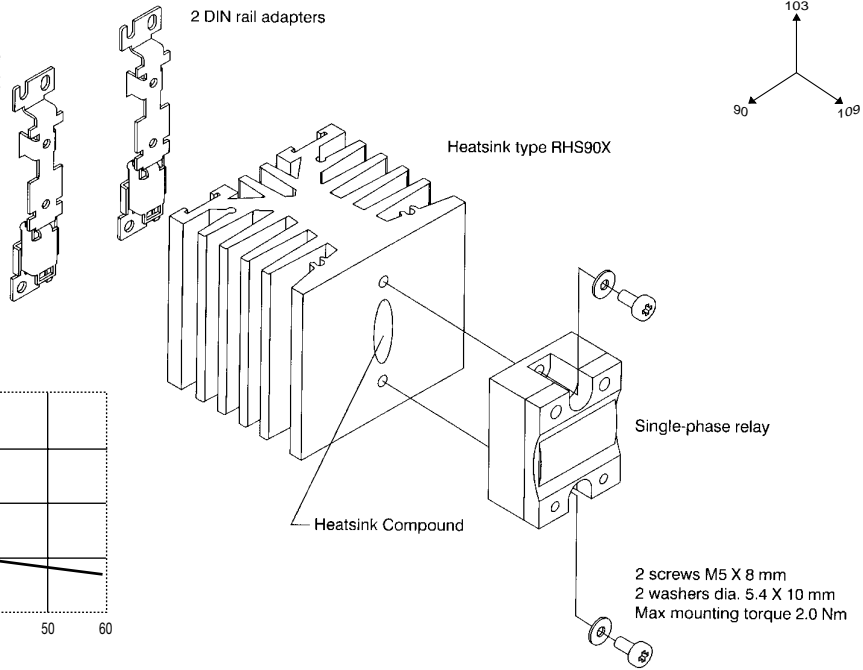
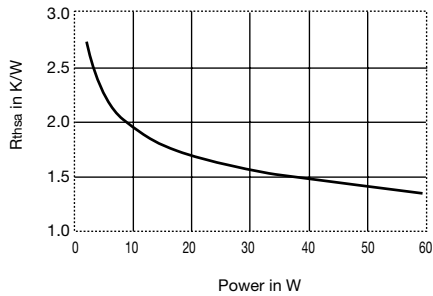


Orientation diagram: 103 (top), 45 (left), 109 (right)

Heatsink Assemblies (cont.)

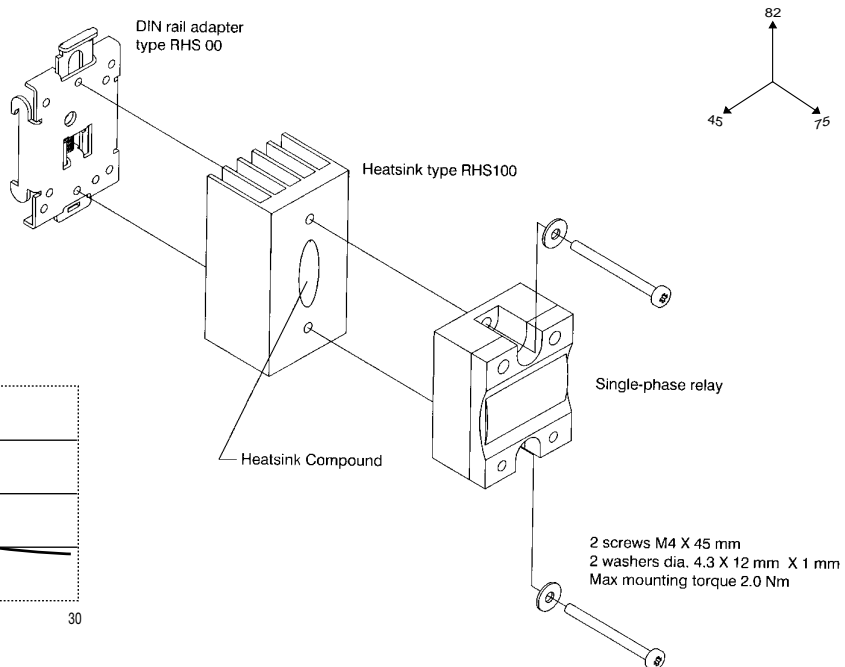
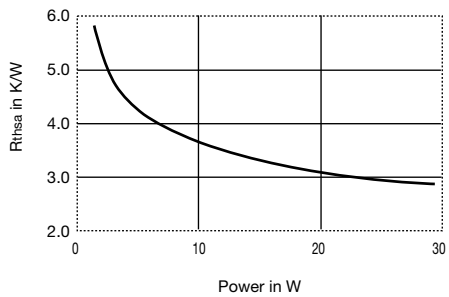
RHS90

Heatsink assembly with DIN-rail adapter for 1-phase SSRs. Type RHS90 is a complete heatsink kit not including the SSR. A 60x60 mm fan may be mounted onto the heatsink.



RHS100

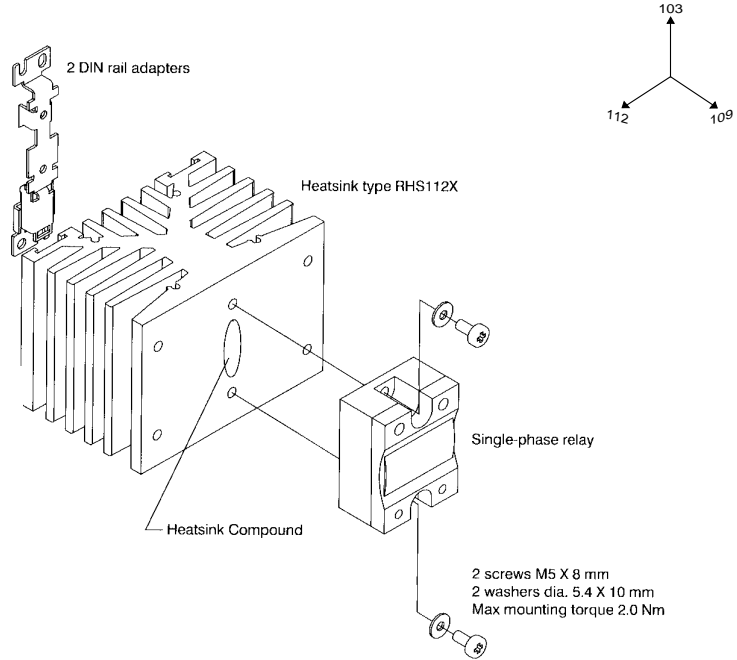
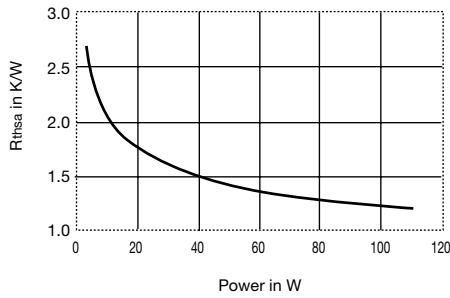
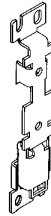
Heatsink assembly with DIN-rail adapter for 1-phase SSRs. Type RHS100 is a complete heatsink kit not including the SSR.



Heatsink Assemblies (cont.)

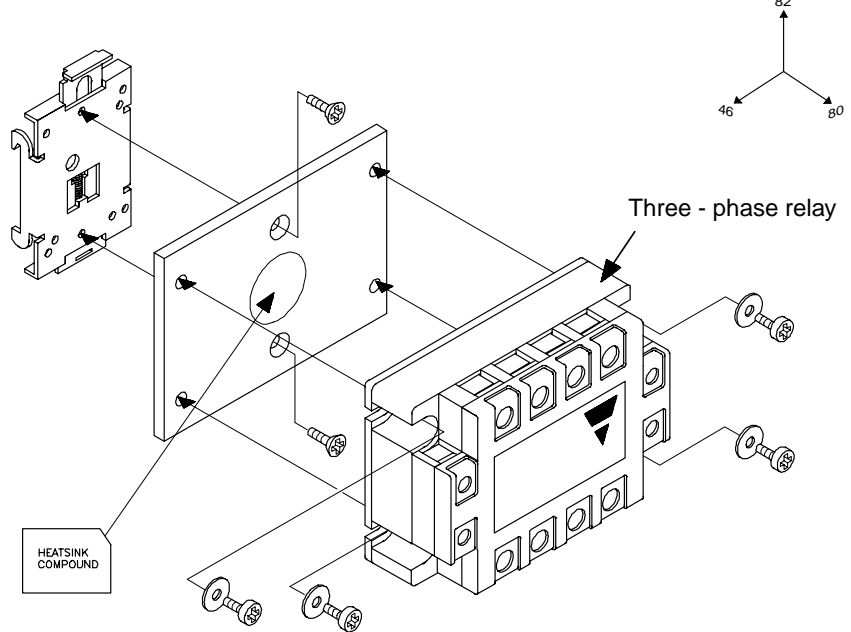
RHS112

Heatsink assembly with DIN-rail adapter for 1-phase and 3-phase SSRs. Type RHS112 is a complete heatsink kit not including the SSR. A 60x60 mm fan may be mounted onto the heatsink.



RHS300 - 5 K/W

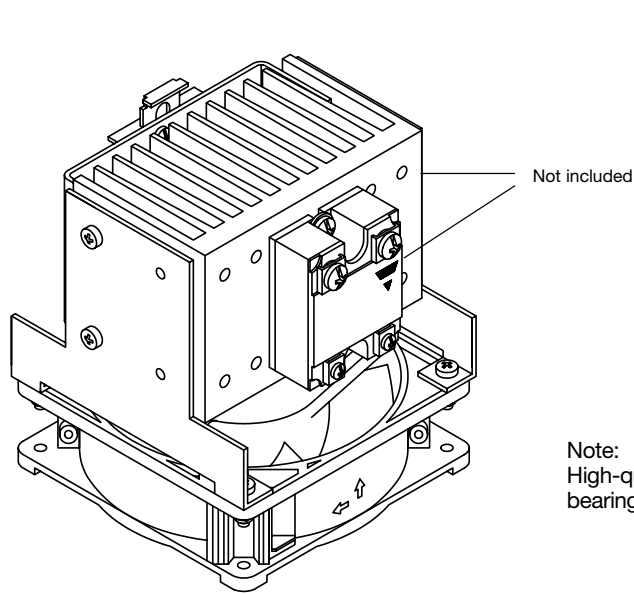
Heatsink assembly with DIN-rail adapter for 3-phase SSRs. Type RHS300 is a complete heatsink kit not including the SSR.



Heatsink Assemblies (cont.)

Fan Kit RHS 301 F 115, RHS 301 F 230

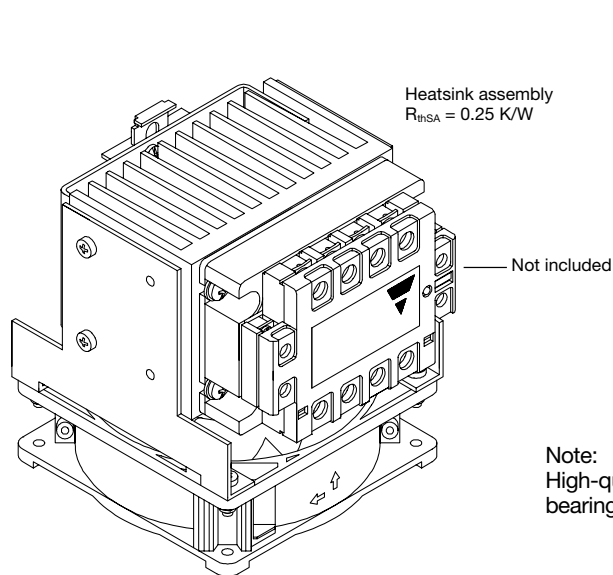
Not including the SSR and the RHS 301 heatsink assembly shown on the drawing. $R_{th\ S-A}$ 0.25 K/W.



Note:
High-quality fan with full metal bearings.

RHS 301 F 115/230 C (115/230 VAC fan supply)

Heatsink assembly with DIN-rail adapter for 3-phase SSRs. Type RHS 301 F is a complete heatsink kit for 3-phase industrial SSRs. $R_{th\ S-A}$ 0.25 K/W.



Heatsink assembly
 $R_{th\ SA} = 0.25\ K/W$

Note:
High-quality fan with full metal bearings.

Heatsink Assemblies (cont.)

Type RHS 301

Heatsink assembly for 1-phase and 3-phase SSRs.

