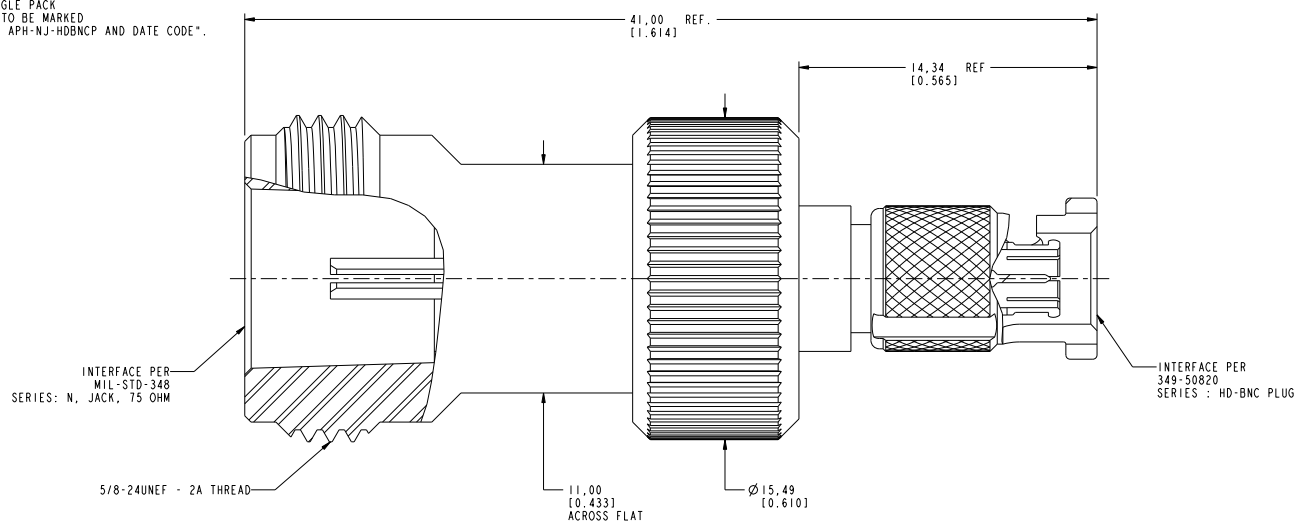
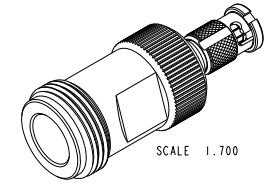


NOTES:	THIRD ANGLE PROJ.	REVISIONS			
		REV	DESCRIPTION	DATE	ECO

- MATERIALS AND FINISHES:**  
 BODY - STAINLESS STEEL, PASSIVATED  
 CONTACT - BeCu, GOLD PLATING  
 OUTER CONTACT - BeCu, GOLD PLATING  
 INSULATOR - PTFE  
 BAYONET - STAINLESS STEEL, PASSIVATED
- ELECTRICAL:**  
 A. IMPEDANCE: 75 OHM  
 B. FREQUENCY RANGE: DC - 4 GHz  
 C. RETURN LOSS: >30 dB MIN AT 3 GHz
- MECHANICAL:**  
 A. DURABILITY: 500 CYCLES, MIN.  
 B. TEMPERATURE RANGE: -65° C TO +100° C
- PACKAGING:**  
 A. QUANTITY: SINGLE PACK  
 B. MARKING: BAG TO BE MARKED "AMPHENOLRF, APH-NJ-HDBNCP AND DATE CODE".

A	RELEASED TO MFG.	10/6/10	48270	NMW
---	------------------	---------	-------	-----



**CUSTOMER OUTLINE DRAWING**  
 ALL OTHER SHEETS ARE FOR INTERNAL USE ONLY

UNLESS OTHERWISE SPECIFIED, DIMENSIONS ARE IN METRIC AND TOLERANCES ARE: <0.5mm ±0.05mm    0.5 - 6mm ±0.1mm    6 - 30mm ±0.2mm    30 - 120mm ±0.3mm    ANGLES ±1°	MATERIAL	DRAWN	DATE	<b>TITLE</b> ADAPTOR, 75 OHM N JACK TO HD BNC PLUG	<b>Amphenol RF</b> Danbury CT USA, Tainan, Taiwan, Shenzhen, China <a href="http://www.amphenolrf.com">www.amphenolrf.com</a>
	SEE NOTES	PADMANABHAN E	22-Jul-10		
NOTICE: These drawings, specifications, or other data (1) are, and remain the property of Amphenol Corp. (2) must be returned upon request; and (3) are confidential and not to be disclosed to any person other than those to whom they are given by Amphenol Corp. The furnishing of these drawings, specifications, or other data by Amphenol Corp., or to any other person to anyone for any purpose is not to be regarded by implication or otherwise in any manner licensing, granting rights to permitting such holder or any other person to manufacture, use or sell any product, process or design, patented or otherwise, that may in any way be related to or disclosed by said drawings, specifications, or other data.	REFERENCE	APPROVED	DATE	SCALE: 5.5:1.0	SHEET 2 OF 2
	EAR # 4100	K. CAPOZZI	9/22/10		DWG SIZE B
CONFIGURATION LEVEL: In Work	FINISH	Root Folder/HD-BNC/APH-NJ-HDBNCP			DRAWING NO. APH-NJ-HDBNCP
					ITEM NO. APH-NJ-HDBNCP
					PART NO. APH-NJ-HDBNCP