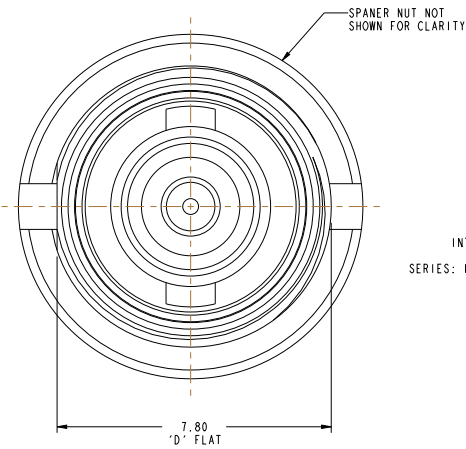
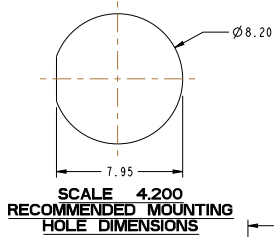
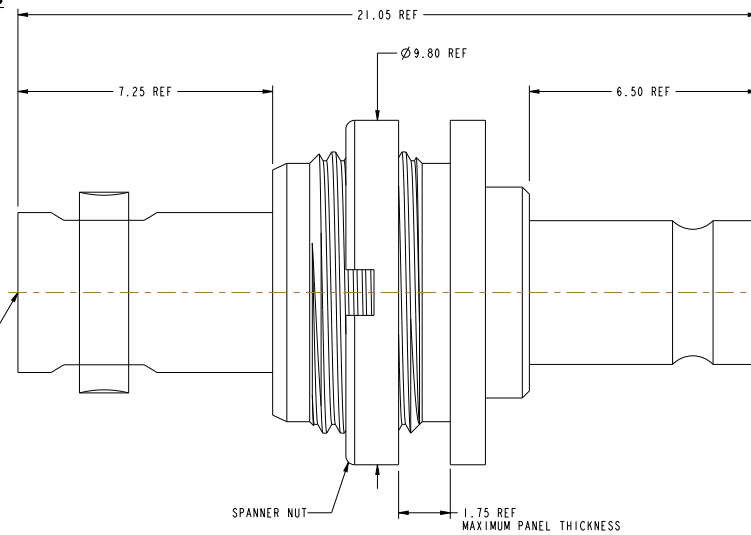


NOTES:

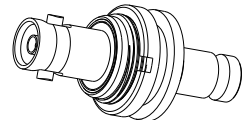
1. MATERIALS AND FINISHES:
 BODIES - BRASS, NICKEL PLATING
 CONTACT - BeCu, GOLD PLATING
 SLEEVE - DELRIN
 INSULATOR - PTFE
2. ELECTRICAL:
 A. IMPEDANCE: 75 OHM
 B. FREQUENCY RANGE: DC - 3 GHz
 C. RETURN LOSS: -30 dB MIN @ 3 GHz
3. MECHANICAL:
 A. DURABILITY: 500 CYCLES MIN.
 B. TEMPERATURE RANGE: +65° C TO -165° C
4. PACKAGING:
 A. QUANTITY: SINGLE PACK
 B. MARKING: BAG TO BE MARKED
 "AMPHENOLRF,APH-HD-ISO-1023 AND DATE CODE"



INTERFACE PER
349-50820
SERIES: HD-BNC JACK



INTERFACE PER
CECC 22 230
SERIES: 1.0/2.3



SCALE 3.000

THIRD ANGLE PROJ.

REVISIONS

REV	DESCRIPTION	DATE	ECO	APPR
A	RELEASE TO MFG.	3/30/11	48505	CL

CUSTOMER OUTLINE DRAWING
ALL OTHER SHEETS ARE FOR INTERNAL USE ONLY

UNLESS OTHERWISE SPECIFIED, DIMENSIONS ARE IN METRIC AND TOLERANCES ARE: <0.5mm ±0.05mm 0.5 - 6mm ±0.1mm 6 - 30mm ±0.2mm 30 - 120mm ±0.3mm ANGLES ±1° NOTICE: These drawings, specifications, or other data (1) are, and remain the property of Amphenol Corp. (2) must be returned upon request; and (3) are confidential and not to be disclosed to any person other than those to whom they are given by Amphenol Corp. The furnishing of these drawings, specifications, or other data by Amphenol Corp., or to any other person to anyone for any purpose is not to be regarded by implication or otherwise in any manner licensing, granting rights to permitting such holder or any other person to manufacture, use or sell any product, process or design, patented or otherwise, that may in any way be related to or disclosed by said drawings, specifications, or other data.	MATERIAL	DRAWN A ARUN PRABU	DATE 14-Jan-11	TITLE ISOLATED ADAPTER HD BNC STR JACK TO 1.0/2.3 JACK SCALE: 9.3:1.0 SHEET 2 OF 2	Amphenol RF www.amphenolrf.com
	SEE NOTES	ENGINEER A ARUN PRABU	DATE 14-Jan-11		
	REFERENCE EAR # 4295 AND EXP:615X-2759-100	APPROVED K. CAPOZZI	DATE 3/23/11	DRAWING NO. APH-HD-ISO-1023	
	FINISH	CAD FILE	DWG SIZE B	REV A	ITEM NO. APH-HD-ISO-1023