

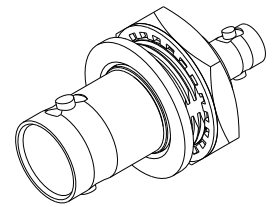
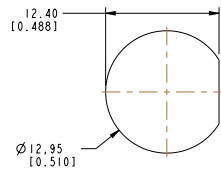
NOTES:

- MATERIALS AND FINISHES:**
 BODY - BRASS, NICKEL PLATING
 CONTACT - BERYLLIUM COPPER, GOLD PLATING
 INSULATOR - PTFE
- ELECTRICAL:**
 A. IMPEDANCE: 75 OHM
 B. FREQUENCY RANGE: DC - 3 GHz
 C. RETURN LOSS: -30 dB MIN @ 3 GHz
- MECHANICAL:**
 A. DURABILITY: 500 CYCLES, MIN.
 B. TEMPERATURE RANGE: -65° C TO +165° C
- PACKAGING:**
 A. QUANTITY: SINGLE PACK
 B. MARKING: BAG TO BE MARKED
 AMPHENOLRF, APH-HD-ISO-BNC AND DATE CODE

THIRD ANGLE PROJ.

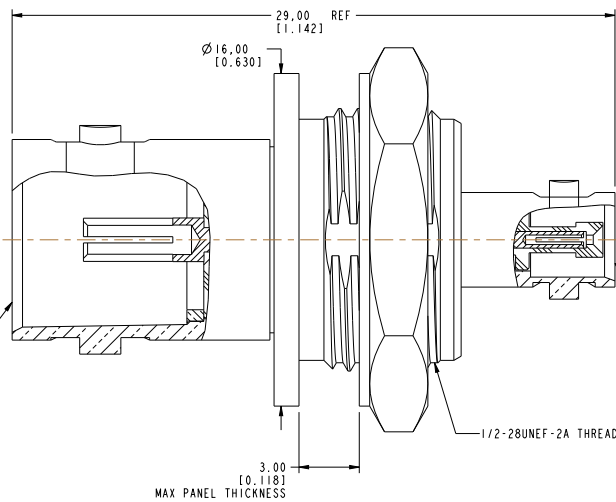
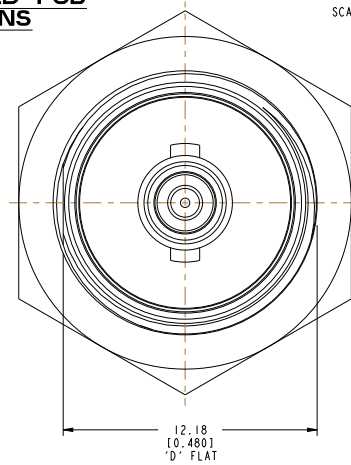
REVISIONS

REV	DESCRIPTION	DATE	ECO	APPR
A	RELEASE TO MFG	4/1/11	48505	CL



SCALE 2.500

**SCALE 2.500
 RECOMMENDED PCB
 DIMENSIONS**



INTERFACE PER MIL-STD-348 SERIES: BNC JACK, 75 OHMS

INTERFACE PER 349-50820 SERIES: HD-BNC JACK

CUSTOMER OUTLINE DRAWING
 ALL OTHER SHEETS ARE FOR INTERNAL USE ONLY

UNLESS OTHERWISE SPECIFIED, DIMENSIONS ARE IN METRIC AND TOLERANCES ARE:
 <0.5mm ±0.05mm 0.5 - 6mm ±0.1mm 6 - 30mm ±0.2mm 30 - 120mm ±0.3mm ANGLES ±1°

NOTICE - These drawings, specifications, or other data (1) are, and remain the property of Amphenol Corp. (2) must be returned upon request; and (3) are confidential and not to be disclosed to any person other than those to whom they are given by Amphenol Corp. The furnishing of these drawings, specifications, or other data by Amphenol Corp., or to any other person to anyone for any purpose is not to be regarded by implication or otherwise in any manner licensing, granting rights to permitting such holder or any other person to manufacture, use or sell any product, process or design, patented or otherwise, that may in any way be related to or disclosed by said drawings, specifications, or other data.

MATERIAL	SEE NOTES
REFERENCE	EAR # 4295 AND EXP:615X-2714-100
CONFIGURATION LEVEL:	In work
FINISH	

DRAWN	CLEMENT	DATE	27-Sep-10
ENGINEER	PADMANABHAN E	DATE	27-Sep-10
APPROVED	K. CAPOZZI	DATE	4/1/11
CAD FILE			

TITLE	ISOLATED ADAPTER 75 OHM, BNC BHD JACK TO HD BNC JACK
SCALE:	5.5:1.0 SHEET 2 OF 2
DWG SIZE	B
REV	A

Amphenol RF
www.amphenolrf.com
DRAWING NO. APH-HD-ISO-BNC
ITEM NO. APH-HD-ISO-BNC
PART NO. APH-HD-ISO-BNC