

MATERIALS AND FINISHES

BODY: ZINC ALLOY  
PLATED NICKEL

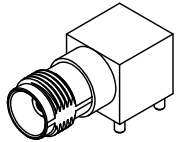
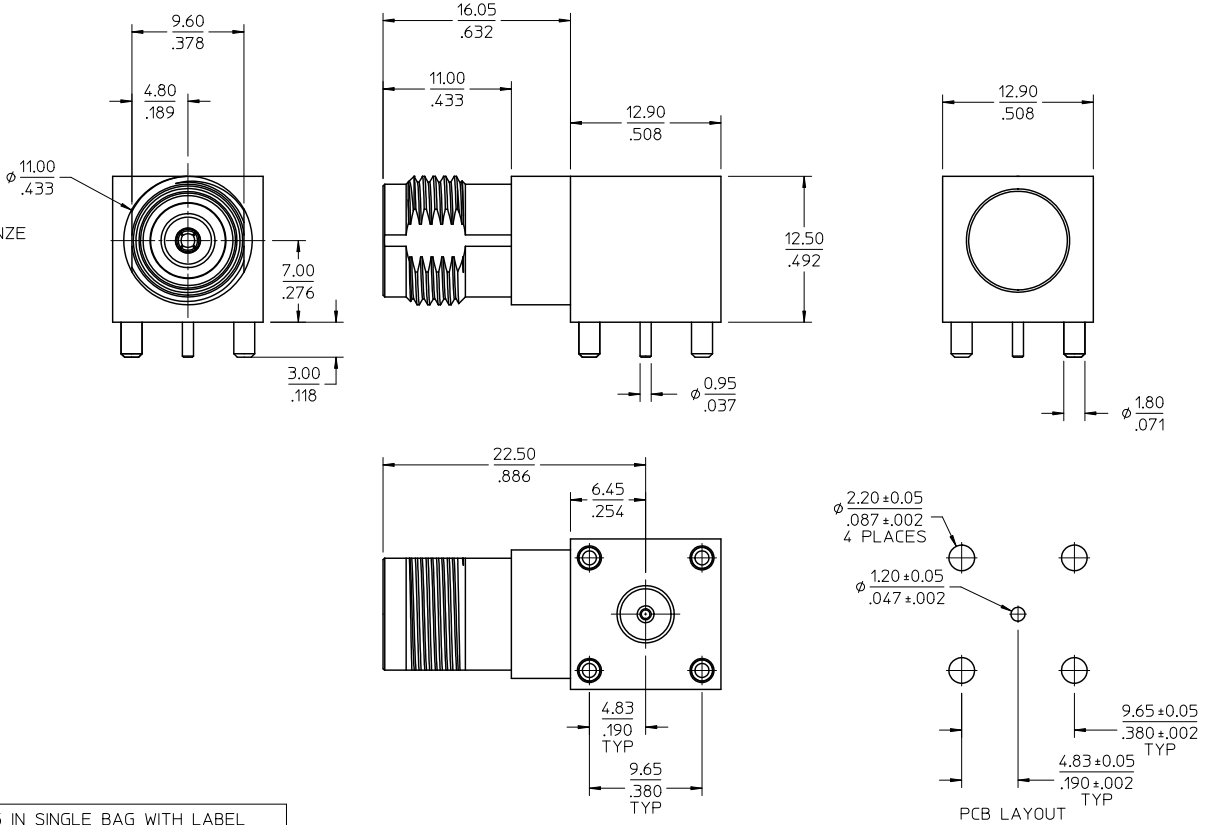
RING, CAP: BRASS  
PLATED NICKEL

LEGS: BRASS  
PLATED TIN

CONTACT FRONT: PHOSPHOR BRONZE  
PLATED GOLD

CONTACT REAR: BRASS  
PLATED GOLD

INSULATORS: TEFLON



73216-2710	1 PIECE 73100-0135 IN SINGLE BAG WITH LABEL
73100-0135	STANDARD
PART NO.	PACKAGING

PS-89675-1400	PRODUCT SPECIFICATION
MIL-STD-348A, FIG. 313.2	INTERFACE
SPECIFICATION	DESCRIPTION

CHG: REDREW IN SD. ADDED 73216-2710 FOR SINGLE BAG OPTION. EC NO. URF2011-0573 DRW: AROBERTSON 2011/03/31 CHK: SSS 2011/03/31 APPR: JWIENER 2011/04/04 A1	QUALITY SYMBOLS ▽=0 ▽=0	GENERAL TOLERANCES (UNLESS SPECIFIED)		DIMENSION STYLE	SCALE	DESIGN UNITS	THIRD ANGLE PROJECTION	
		mm	INCH	MM/IN	METRIC	METRIC		
		4 PLACES ±	3 PLACES ±	2 PLACES ±	1 PLACE ±	ANGULAR ± 2°	DRAWN BY: AROBERTSON DATE: 2011/03/31 CHECKED BY: SSS DATE: 2011/03/31 APPROVED BY: JWIENER DATE: 2011/04/04	
		DRAFT WHERE APPLICABLE MUST REMAIN WITHIN DIMENSIONS		SEE TABLE	MATERIAL NO. SD-73100-0135 DOCUMENT NO. SD-73100-0135		SHEET NO. 1 OF 1	

THIS DRAWING CONTAINS INFORMATION THAT IS PROPRIETARY TO MOLEX INCORPORATED AND SHOULD NOT BE USED WITHOUT WRITTEN PERMISSION

MATERIALS AND FINISHES

BODY: ZINC ALLOY  
PLATED NICKEL

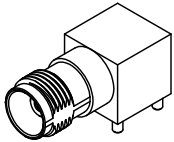
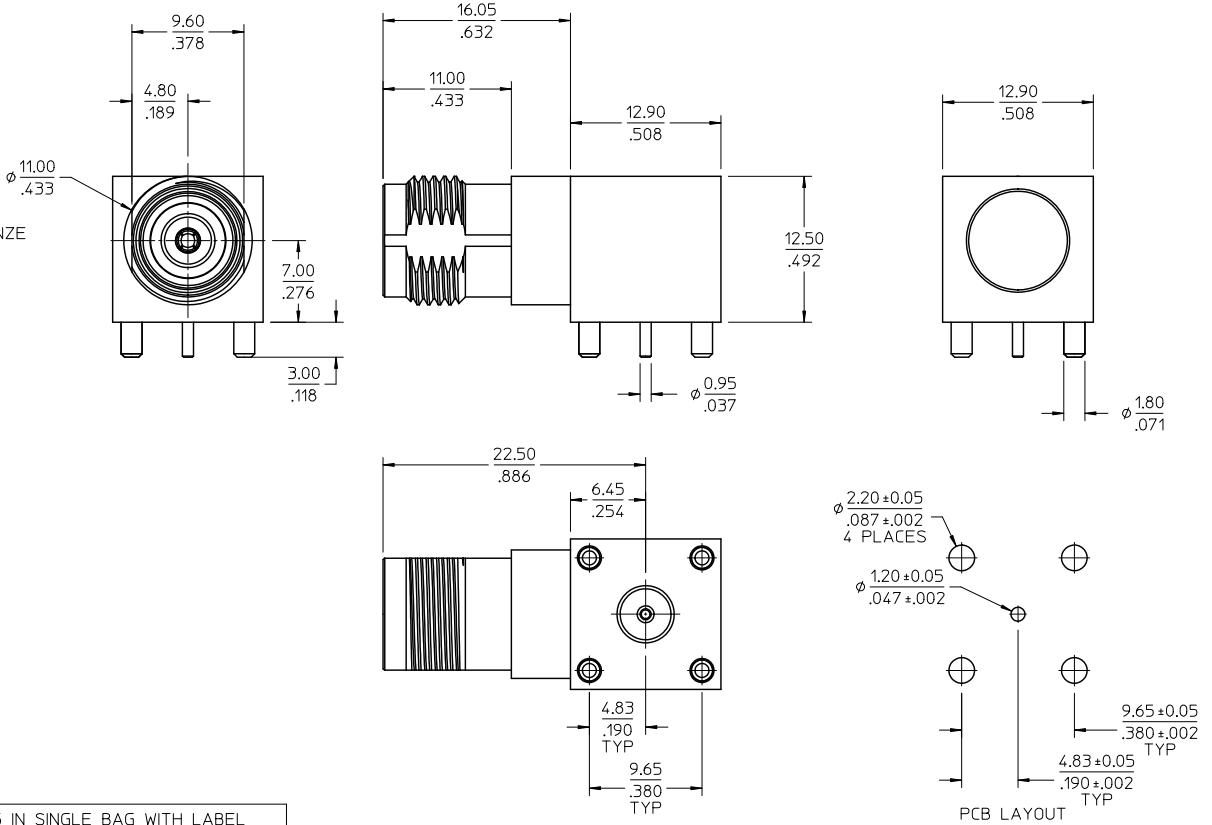
RING, CAP: BRASS  
PLATED NICKEL

LEGS: BRASS  
PLATED TIN

CONTACT FRONT: PHOSPHOR BRONZE  
PLATED GOLD

CONTACT REAR: BRASS  
PLATED GOLD

INSULATORS: TEFLON



73216-2710	1 PIECE 73100-0135 IN SINGLE BAG WITH LABEL
73100-0135	STANDARD
PART NO.	PACKAGING

PS-89675-1400	PRODUCT SPECIFICATION
MIL-STD-348A, FIG. 313.2	INTERFACE
SPECIFICATION	DESCRIPTION

CHG: RELEASE DRAWING. EC NO: URF2011-0573 DRAWN: AROBERTSON 2011/04/01 CHKD: SSS 2011/04/01 APPR: JWIENER 2011/04/04 REV A	QUALITY SYMBOLS ▽=0 ▽=0	GENERAL TOLERANCES (UNLESS SPECIFIED): mm INCH		DIMENSION STYLE MM/IN	SCALE METRIC	DESIGN UNITS METRIC	THIRD ANGLE PROJECTION
		4 PLACES ±--- ±--- 3 PLACES ±--- ±--- 2 PLACES ±--- ±--- 1 PLACE ±--- ±--- ANGULAR ± 2 °	DRAWN BY AROBERTSON 2011/04/01	DATE 2011/04/01	TITLE TNC JACK RA PCB TH 50 OHM TNC-J/PCB, EWR-4676		
DRAFT WHERE APPLICABLE MUST REMAIN WITHIN DIMENSIONS		CHECKED BY SSS 2011/04/01	DATE 2011/04/01	APPROVED BY JWIENER 2011/04/04		MOLEX INCORPORATED	
		MATERIAL NO. SEE TABLE	DATE 2011/04/04	DOCUMENT NO. SD-73216-271	SHEET NO. 1 OF 1		