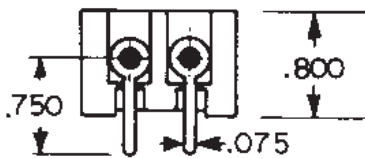
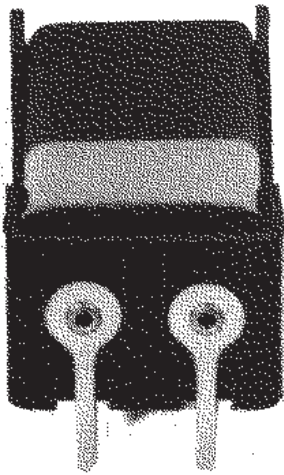


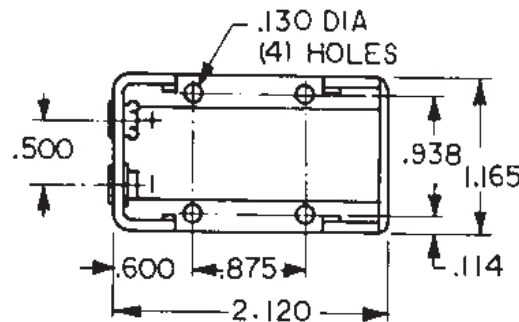
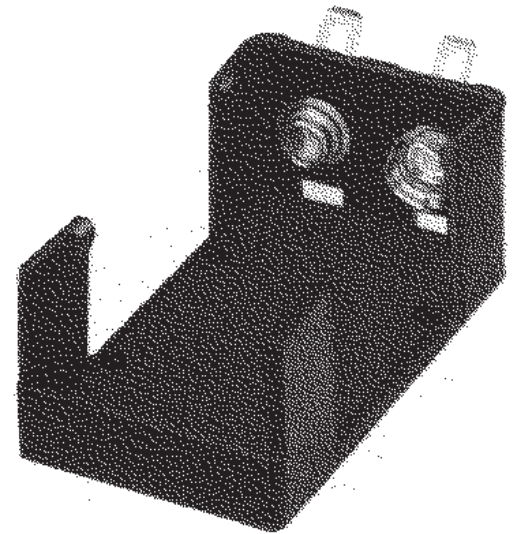
# UNIVERSAL 9 VOLT BATTERY HOLDERS

With PC Terminals or Combination Quick-Fit/Solder Lug Terminals.



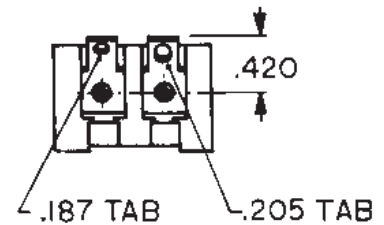
**CAT. NO. 1294**

PC Terminals



**CAT. NO. 1295**

Quick-Fit/Solder Lug Terminals



Holds any size, any shape, standard 9 Volt battery.

Eliminates need to specify an exact battery brand, size or shape. Ideal for power source or memory back-up use in minicomputers, telecommunications, data processing, security systems, clocks, radios, toys and appliances.

- Male-female snap-in terminals assure positive contact and proper polarity
- Durable, rugged construction
- Excellent spring retention—holds battery in place
- Withstands severe shock and vibration
- Operating temperature range: -40°F to +266°F (-40°C to +130°C)
- Impervious to most industrial solvents

## SPECIFICATIONS

**Body:** Molded from high impact, Glass Filled Nylon

**Terminals:** Brass, Tin Plate

**Contacts:** Steel, Nickel Plate