

## REGINA REFLECTOR FOR NICHIA 119 / 219 LEDs



- Reflector is made of aluminum coated PC (120°C/248F) with protective laquer(110°C/230F)
- Best available optical efficiency, over 90%
- Small position pins, fastening to heat sink with droplets of glue.
- Compact dimensions 19mm x 15.3 mm (+ position pins 2.5mm)
- Please check fastening details from this link:  
([http://www.ledil.com/datasheets/DataSheet\\_GLUES.pdf](http://www.ledil.com/datasheets/DataSheet_GLUES.pdf))

## REFLECTOR TYPES

NAME	ORDERING CODE	FWHM Angle
REGINA reflector	C11347_Regina-N19	±5°

© Ledil Oy – PRELIMINARY - Subject to change without prior notice

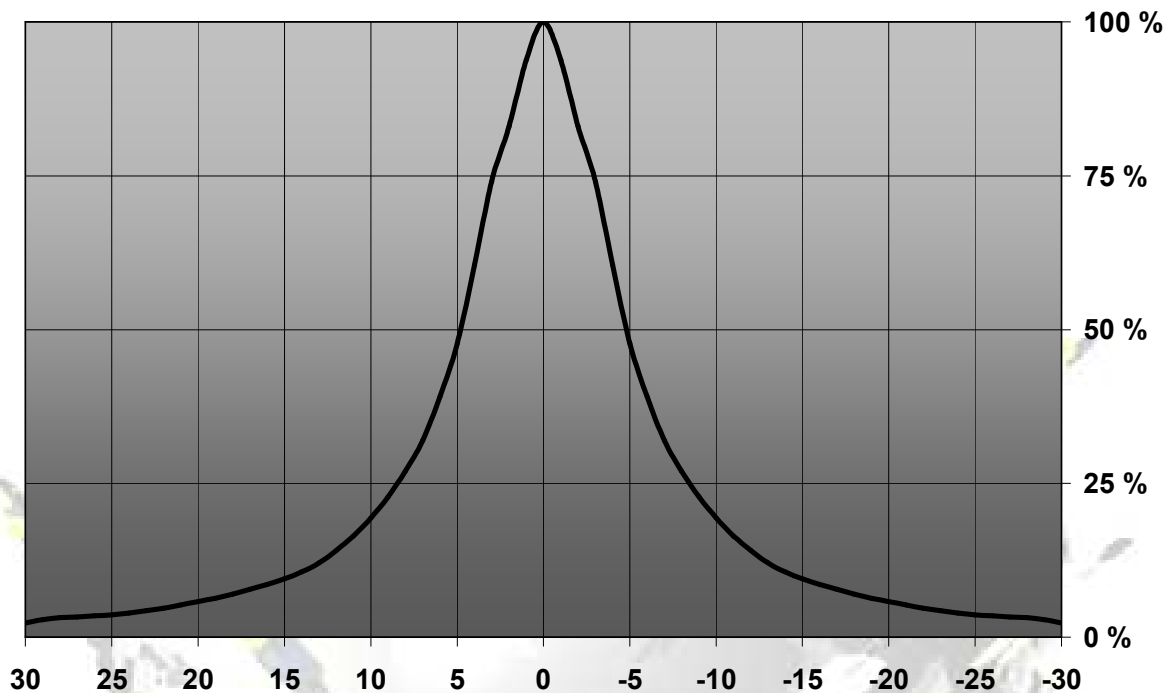
Ledil Oy  
Tehdaskatu 13  
FIN-24100 SALO, Finland

[www.ledil.com](http://www.ledil.com)  
email: [ledil@ledil.com](mailto:ledil@ledil.com)  
FAX: +358-2-733 8001

2011-02-02

## MEASUREMENTS

Relative Intensity of C11347\_Regina-N119



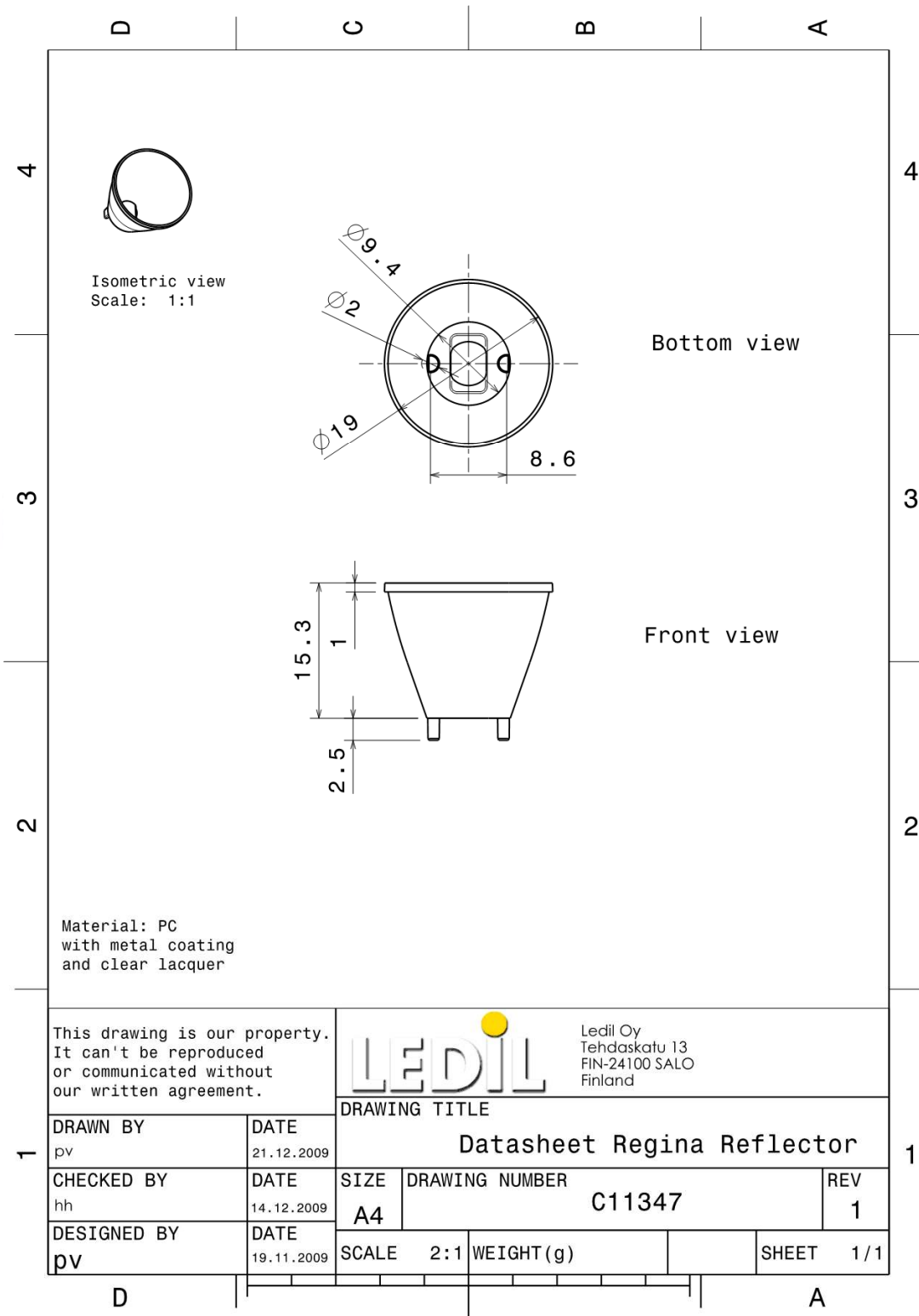
© Ledil Oy – PRELIMINARY - Subject to change without prior notice

Ledil Oy  
Tehdaskatu 13  
FIN-24100 SALO, Finland

[www.ledil.com](http://www.ledil.com)  
email: [ledil@ledil.com](mailto:ledil@ledil.com)  
FAX: +358-2-733 8001

2011-02-02

## DRAWINGS



© Ledil Oy - PRELIMINARY - Subject to change without prior notice

Ledil Oy  
Tehdaskatu 13  
FIN-24100 SALO, Finland

[www.ledil.com](http://www.ledil.com)  
email: [ledil@ledil.com](mailto:ledil@ledil.com)  
FAX: +358-2-733 8001

2011-02-02