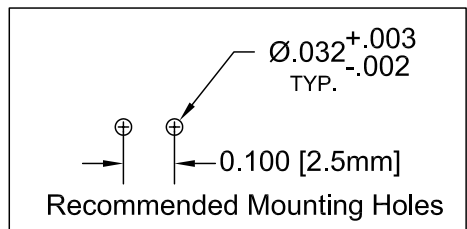
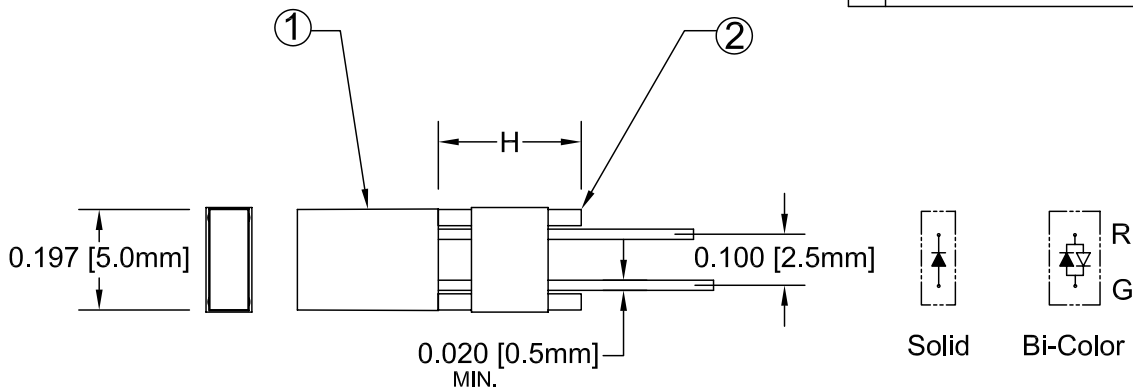


ITEM	Q'TY	PART NUMBER	PART DESCRIPTION
1	1	R5XX	2x5mm Rectangular LED, See Page 2
2	1	RL2-XXX	Molded Rectangular LED Mount

REV.	DESCRIPTION	DATE	APPROVED
B	Engineering Update w/o Changes	03/01/04	M. C.
C	Updated Specs.	04/02/08	M. C.



EXAMPLE:

RL11605GD(T)

RL - Series
 11 - Height "H" *
 605 - LED Color & Lens Appearance.
 G - Optional Tape and Reel.
 D - Omit R when ordering.
 (T) - Series

* XXX = Height "H"
 Available Range From 0.200" - 0.350"
 In 0.010" Increments


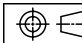
ABSOLUTE MAXIMUM RATINGS (Ta=25°C)

REVERSE VOLTAGE _____ 5V
 REVERSE CURRENT _____ 100uA
 OPERATING TEMPERATURE RANGE _____ -20° C - 80° C
 STORAGE TEMPERATURE _____ -20° C - 80° C
 LEAD SOLDERING TEMPERATURE(1/16" FROM BODY) _____ 260° C FOR 5 SECONDS

STANDARD TOLERANCE (UNLESS OTHERWISE SPECIFIED)		BIVAR®	
DECIMALS	ANGULAR	4 THOMAS, IRVINE, CA, 92618 TEL: (949) 951-8808 FAX: (949) 951-3974	
.X ±.1	X° ±1°	TITLE: MOLDED RECTANGULAR LED MOUNT ASSEMBLY	
.XX ±.02		PART NO: RL2XXX5XX	REVISION: C
.XXX ±.010		CAGE CODE : 32559	SHEET # 1 OF 2
DESIGNED: Ty Yin	DATE: 03/01/04	CAD GENERATED DOCUMENT, DO NOT MEASURE DRAWING.	
CHECKED: D. Green	DATE: 03/01/04		

REV.	DESCRIPTION	DATE	APPROVED
	SEE SHEET#1.		

LED Assy. No.	Peak Wave Length λ_p (nm)	Emitted Color	Lens Appearance	Abs. Max. Rating If (mA)	Electro-Optical Data @ 20m A			Viewing Angle $2\theta_{1/2}$ (Deg)	LED P/N
					Vf (V)		Iv (mcd)		
					TYP	MAX	TYP		
RL2XXX5GD	568	GREEN	DIFFUSED	30	2.2	2.6	7.0	125	R5GD
RL2XXX5YD	585	YELLOW	DIFFUSED	30	2.1	2.6	5.0	125	R5YD
RL2XXX5RD	655	RED	DIFFUSED	40	1.7	2.0	0.8	125	R5RD
RL2XXX5BC	635	HE RED	WHITE DIFFUSED	45	2.0	2.6	4.0	125	R5BC
	568	GREEN		30	2.2	2.6	4.0		

STANDARD TOLERANCE (UNLESS OTHERWISE SPECIFIED) <small>±10% ALL VALUES</small>		 BIVAR [®] 4 THOMAS, IRVINE, CA, 92618 TEL: (949) 951-8808 FAX: (949) 951-3974	
<small>ANGULAR</small> $X^\circ \pm 5^\circ$			
		TITLE: MOLDED RECTANGULAR LED MOUNT ASSEMBLY	
DESIGNED: Ty Yin	DATE: 03/01/04	PART NO: RL2XXX5XX	
CHECKED: D. Green	DATE: 03/01/04	CAGE CODE : 32559	SHEET # 2 OF 2
<small>CAD GENERATED DOCUMENT, DO NOT MEASURE DRAWING.</small>			