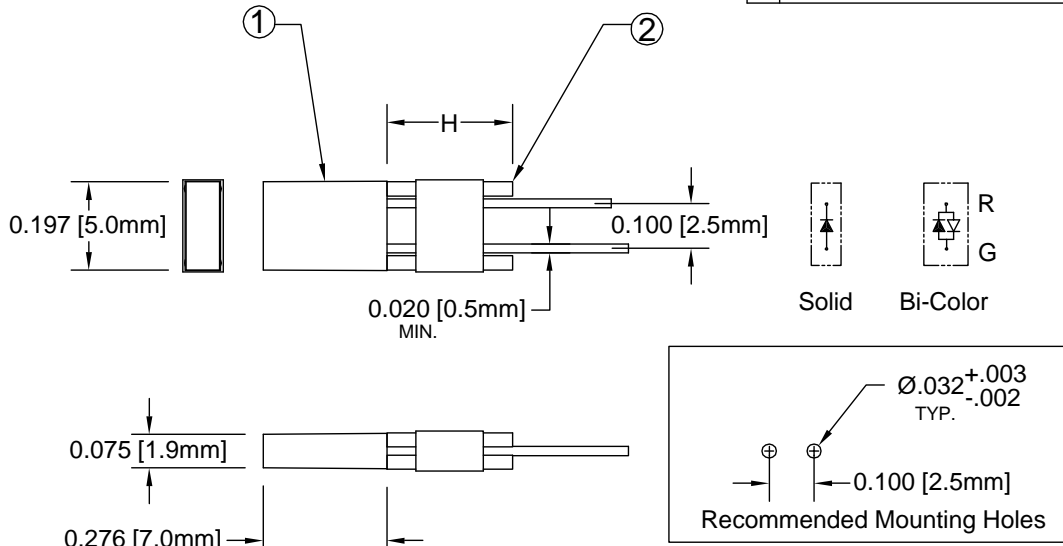


ITEM	QTY	PART NUMBER	PART DESCRIPTION
1	1	R5XX	2x5mm Rectangular LED, See Page 2
2	1	RL1-XXX	Molded Rectangular LED Mount

REV.	DESCRIPTION	DATE	APPROVED
B	Engineering Update w/o Changes	03/01/04	M. C.



EXAMPLE:

RL11605GD(T)

- Optional Tape and Reel
- LED Color & Lens Appearance.
- Omit R when ordering.
- Height "H" *
- Series

* XXX = Height "H"
Available Range From 0.060" - 0.210"
In 0.010" Increments



ABSOLUTE MAXIMUM RATINGS (Ta=25 °C)

REVERSE VOLTAGE _____ 5V
 REVERSE CURRENT _____ 100uA
 OPERATING TEMPERATURE RANGE _____ -20° C - 80° C
 STORAGE TEMPERATURE _____ -20° C - 80° C
 LEAD SOLDERING TEMPERATURE(1/16" FROM BODY) _____ 260° C FOR 5 SECONDS

STANDARD TOLERANCE (UNLESS OTHERWISE SPECIFIED)		BIVAR®	
DECIMALS	ANGULAR	4 THOMAS, IRVINE, CA. 92618	
.X ± .1	X° ± 1°	TEL: (949) 951-8808 FAX: (949) 951-3974	
.XX ± .02		TITLE: MOLDED RECTANGULAR LED MOUNT ASSEMBLY	
.XXX ± .010		PART NO: RL1XXX5XX	REVISION: A
DESIGNED: Ty Yin	DATE: 03/01/04	CAGE CODE: 32559	SHEET # 1 OF 2
CHECKED: D. Green	DATE: 03/01/04	CAD GENERATED DOCUMENT. DO NOT MEASURE DRAWING.	

REV.	DESCRIPTION	DATE	APPROVED
	SEE SHEET#1.		

LED Assy. No.	Peak Wave Length λ_p (nm)	Emitted Color	Lens Appearance	Abs. Max. Rating	Electro-Optical Data @ 20mA			Viewing Angle $2\theta_{1/2}$ (Deg)	LED P/N
					Vf (V)		Iv (mcd)		
					I _f (mA)	TYP	MAX		
RL1XX5GD	565	GREEN	DIFFUSED	30	4.0	4.5	1.1	125	R5GD
RL1XX5YD	585	YELLOW	DIFFUSED	30	2.1	2.6	5.0	125	R5YD
RL1XX5RD	655	RED	DIFFUSED	40	1.7	2.0	0.8	125	R5RD
RL1XX5BC	635	HE RED	DIFFUSED	30	2.0	2.6	4.5	125	R5BC
	568	GREEN		30	2.2	2.6	5.5		

STANDARD TOLERANCE (UNLESS OTHERWISE SPECIFIED) ±10% ALL VALUES		ANGULAR X° ± 5°		 BIVAR [®] 4 THOMAS, IRVINE, CA. 92618 TEL: (949) 951-8808 FAX: (949) 951-3974	
		TITLE: MOLDED RECTANGULAR LED MOUNT ASSEMBLY		REVISION: A	
DESIGNED: Ty Yin	DATE: 03/01/04	PART NO: RL1XX5XX		SHEET # 2 OF 2	
CHECKED: D. Green	DATE: 03/01/04	CAGE CODE : 32559		CAD GENERATED DOCUMENT. DO NOT MEASURE DRAWING.	