



ENFIS QUATTRO Mini Array Amber 595nm

The latest in ultra bright, chip on board, LED lattice arrays.
Compact, single colour spot source

Features

Mounted array for simple incorporation

- Array mounted on connectorized PCB
 - Drop-in capability into existing luminaires
 - Incorporating thermal measurement device
 - Designed for passive or active cooling
- ### Densely packed lattice CoB array
- 144 LEDs in 4cm²
 - Superior dynamic range
 - Ultra bright output

High power useable light

- Drive to 200W
 - Potential for pulsing together with analogue and PWM dimming
- ### Rugged and proven
- Superior >20,000 hour lifetime
 - Reliable and repeatable performance operated in the harshest of environments

Inbuilt monitoring / control

- Potential for active monitoring and closed loop feedback and control of light output using integrated and calibrated photodiodes
- Inbuilt capability for temperature monitoring control and protection via integrated temperature sensors

PCB Arrays

Enfis can reduce the time, cost and risk of integration by offering purpose mounted ultra-bright multi-channel/colour arrays. These can be readily driven by appropriate drivers.

Smart Array Technology

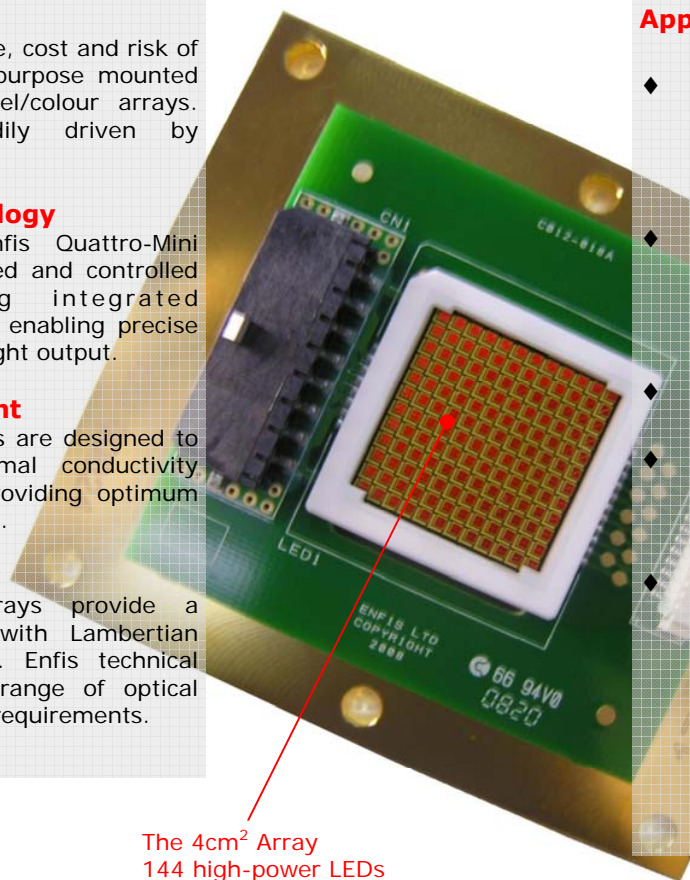
Light output from Enfis Quattro-Mini arrays may be monitored and controlled via patent-pending integrated photo-detection system, enabling precise control and repeatable light output.

Thermal Management

Enfis Quattro-Mini arrays are designed to provide excellent thermal conductivity and integrate simply providing optimum performance and lifetime.

Optics

Enfis Quattro-Mini arrays provide a compact spot source with Lambertian emission characteristics. Enfis technical experts can advise a range of optical solutions to match your requirements.



The 4cm² Array
144 high-power LEDs

Applications & Markets

- ◆ **Architectural lighting**
 - Exterior buried spotlights
 - Exterior floodlights
 - Exterior/interior wall-washing
- ◆ **Entertainment lighting**
 - Club/bar lighting
 - Theatre spot gel replacement
 - Moving spots
- ◆ **Fibre optic lighting**
 - Illuminator light sources
- ◆ **Medical Treatment**
 - PDT/dermatological therapies
 - Wound healing
- ◆ **Industrial/Scientific lighting**
 - Forensic investigation
 - Fluorescence and Spectroscopy
 - Machine Vision and inspection
 - Projection & backlighting systems
 - Vehicle lighting

ENFIS LIMITED
Technium 2, Kings Road,
Swansea Waterfront,
Swansea, SA18PJ, UK
Tel +44 (0)1792 485660
Fax +44 (0)1792 485537
www.enfis.com
info@enfis.com



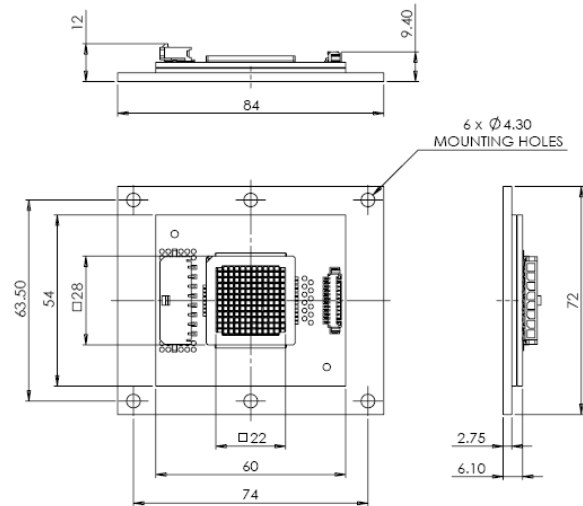


ENFIS QUATTRO Mini Array Amber 595nm

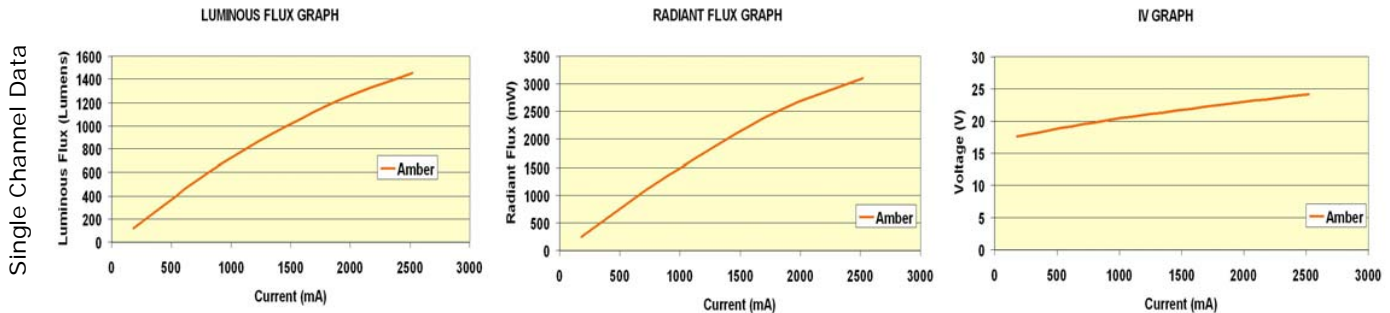
Technical Specification

Electro-Optical Characteristics

Channel Item	Single Channel			All Channels		
	Min	Typ	Max	Min	Typ	Max
Rated Current If (mA)		2200			8800	
Forward Voltage Vf (Volts)	19	23	27	19	23	27
Peak Wavelength λ_p (nm)	590	595	605	590	595	605
Dominant Wavelength λ_d (nm)	587	592	602	587	592	602
Spectral Width $\Delta\lambda$ (nm)	10	15	20	10	15	20
Total Radiant Flux Φ_R (mW)	1950	2300		6300	7400	
Radiant Flux Density $\Phi_{R/A}$ (mW/cm ²)	403	475		1302	1529	
Total Luminous Flux Φ_L (Lumens)	900	1100		2900	3500	
Luminous Flux Density $\Phi_{L/A}$ (lm/cm ²)	186	227		599	723	
Total Electrical Power P (W)		50			200	



All measurements performed at a heatsink temperature of 25°C



Storage Regime

Storage Temperature -20°C to +85°C

Weight

Array 0.2kg

Heat Generation

Proper thermal design of the end product is of paramount importance. The operational junction temperature of each LED chip should be kept below 125°C.

Please contact Enfis for further support in this matter.

Connector Types (not supplied)

Drive Molex 0436500812
Thermistor / Feedback Molex 532611271

Cleaning

Avoid touching the LED array surface.
To clean—BLOW surface with either dry air or nitrogen gas

Eye Safety Precautions

The light output of the products may cause injuries to human eyes in circumstances where the products are viewed directly with unshielded eyes for more than a few seconds.

Please refer to IEC 60825-1:2001 for further information



ENFIS LIMITED
Technium 2, Kings Road,
Swansea Waterfront,
Swansea, SA18PJ, UK
Tel +44 (0)1792 485660
Fax +44 (0)1792 485537
www.enfis.com
info@enfis.com

