



ENFIS QUATTRO Mini Light Engine

Rich mono spot source and colour/CCT changing with 144 high-power LEDs

Features & Benefits

Two Formats

• Plug & Play

- Just plug in and go straight from the box!

• Luminaire integration kit

- Array on connectorized PCB with mounting holes.
- Separately housed driver module

Superior colour mixing with dense packaging and interleaving of colours

4.3 Billion colours

- Rich colours and wide dynamic range
- 4 x 256 step dimming

Full colour/colour temperature control and monitoring

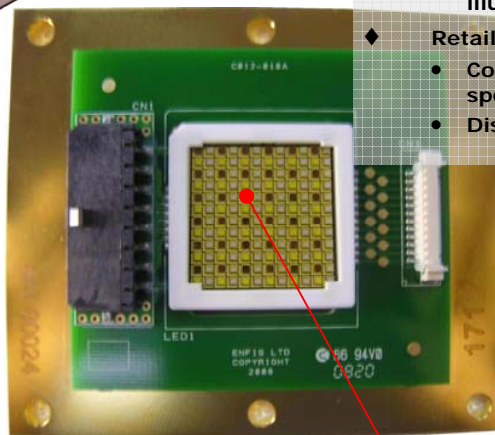
160W: High Power intense light from a 4cm² array

DMX512 compatible

Smart thermal protection system

Life-long 100% Lumen maintenance

System 3-year warranty



Applications & Markets

- ◆ Architectural lighting
 - Exterior buried spotlights
 - Exterior floodlights
 - Exterior/interior wall-washing
 - Interior colour/CCT-variable lighting
- ◆ Entertainment lighting
 - Club/bar lighting
 - Theatre spot gel replacement
 - Moving spots
- ◆ Fibre optic lighting
 - Colour/CCT-changing illuminator light sources
- ◆ Retail lighting
 - Colour/CCT-variable spotlights
 - Display lighting

The 4cm² Array
144 high-power LEDs

ENFIS LIMITED
Technium 2, Kings Road,
Swansea Waterfront,
Swansea, SA18PJ, UK
Tel +44 (0)1792 485660
Fax +44 (0)1792 485537
www.enfis.com
info@enfis.com

ENFIS 

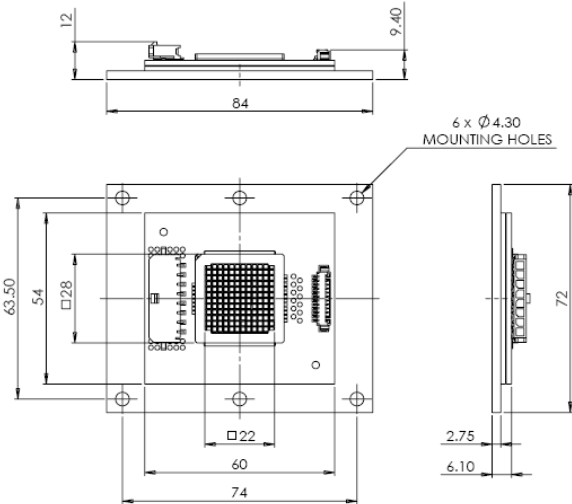


ENFIS QUATTRO Mini Light Engine

Technical Specification

Electro-Optical Characteristics

| Colour | Peak Wavelength (nm) | Typ. Light Output (mW) | Typ. Light Output (lm) | Total Electrical Power (W) |
|--|----------------------|------------------------|------------------------|----------------------------|
| SUVA | 365 | 3000 | - | 100 |
| UVA | 375 | 5000 | - | 100 |
| Violet | 405 | 17280 | - | 160 |
| Blue | 465 | 19200 | 1160 | 160 |
| Green | 520 | 7200 | 3200 | 160 |
| Amber | 595 | 5920 | 2800 | 160 |
| Red | 630 | 15200 | 2400 | 160 |
| NIR | 870 | 16000 | - | 160 |
| Neutral White | 3900-4600K | - | 4000 | 160 |
| RGBA | - | - | 2900 | 160 |
| RGBW | - | - | 3130 | 160 |
| Hi Cri | - | - | 3250 | 160 |
| Please contact Enfis Ltd for further information | | | | |



Electronics:

Technical Specification

Operating temperature -10°C to +45°C
Storage temperature -20°C to +85°C

Input To Driver

Input voltage 48V DC <5A

The results above are based upon a thermal management system with <0.1C/W thermal resistance
Ambient temperature = 25°C

LED Driver PCB

Efficient LED driver based on switch mode technology
Temperature monitoring and control
USB/Serial PC interface

Connectivity

TTL interface with USB convertor (USB connector head provided)

Thermal Management

The output with the integration kit will be depending on the efficiency of user's thermal management system

Handling LED Array

Contact with the encapsulation on the surface of the LED array must be avoided to prevent damage. Do not apply pressure to the encapsulation or allow it to come into contact with sharp objects. During operation the encapsulation will be hot and contact should be avoided.

Static Electricity

Care must be taken when handling, these products are sensitive to static electricity .
Observe static handling precautions.



Cleaning

Avoid touching the LED array surface.
To clean—BLOW surface with either dry air or nitrogen gas

Eye Safety Precautions

The light output of the products may cause injuries to human eyes in circumstances where the products are viewed directly with unshielded eyes for more than a few seconds.

Please refer to IEC 60825-1:2001 for further information



ENFIS LIMITED
Technium 2, Kings Road,
Swansea Waterfront,
Swansea, SA18PJ, UK
Tel +44 (0)1792 485660
Fax +44 (0)1792 485537
www.enfis.com
info@enfis.com

