


APPLICATION		REVISIONS			
NEXT ASSY	FINAL ASSY	LTR	DESCRIPTION	DATE	APPROVED
		-	PRODUCTION RELEASE/E.O. 29204	3/9/93	D. Goodale
		A	E.O. 29436	6/3/93	D. Goodale
		B	E.O. 29541	6/28/93	D. Goodale
		C	E.O. 36743, Revised and Redrawn	2/12/02	D. Goodale

Specification  
 4 x 20 Daystar Nova LCD Module  
 With  
 Parallel Data Input and EL Backlight  
 Model 03858-06-0105

REV	C	C	C	C	C	C	C	C	C	C	C	C	C	C	C	C	C	C	C	C	C	C	C	C
SHEET	1	2	3	4	5	6	7	8	9	10	11	12	13	14	15	16	17	18	19	20	21	22	23	24

**REVISION STATUS**

<b>PROJ. NO.</b> 411	<b>CONTRACT</b>			 <b>INDUSTRIAL ELECTRONIC ENGINEERS, INC.</b> <b>VAN NUYS, CALIFORNIA</b>			
	<b>DRAWN</b> R. January 3-19-93	PARALLEL DATA INPUT 4 X 20 LCD MODULE WITH EL BACKLIGHT					
<small>NOTICE IS HEREBY GIVEN THAT THIS DRAWING IS PART OF A PROPRIETARY ITEM OWNED BY INDUSTRIAL ELECTRONIC ENGINEERS, INC. AND SHALL NOT BE REPRODUCED, OR COPIED OR USED AS THE BASIS FOR MANUFACTURE OR SALE OF APPARATUS WITHOUT WRITTEN PERMISSION OF I.E.E. INC.</small>	<b>CHECK</b>	<b>APPROVED</b> D. Goodale 3-9-93			<b>SIZE</b> <b>A</b>	<b>CODE IDENT NO.</b> <b>05464</b>	<b>S03858-06-0105</b>
	<b>APPROVED</b>	<b>SCALE</b>			<b>SHEET 1 OF 24</b>		

## Table of Contents

<u>Paragraph</u>	<u>Title</u>	<u>Page</u>
1.0	GENERAL INFORMATION.....	5
1.1	Introduction.....	5
1.2	Application.....	5
1.3	Description.....	5
2.0	LOGICAL STRUCTURE AND FUNCTION.....	6
2.1	LCD Module.....	6
2.1.1	Signal Description.....	6
2.2	LCD Controller.....	7
2.2.1	Instruction Register (IR).....	7
2.2.2	Data Register (DR).....	7
2.2.3	Busy Flag.....	7
2.2.4	Address Counter (AC).....	7
2.2.5	Display Data RAM (DD RAM).....	8
2.2.6	Character Generator ROM (CG ROM).....	8
2.2.7	Character Generator RAM (CG RAM).....	8
2.2.8	Parallel/Serial Data Conversion Circuitry, Timing Generator Circuitry.....	9
3.0	OPERATION.....	9
3.1	Instruction Set.....	9
3.2	Power Up Instructions Sequence.....	9
3.3	Instructions Affecting the Relationship of Display Position, Cursor, and DD RAM Address.....	9
3.4	Instructions Affecting Custom Characters.....	9
4.0	ELECTRICAL SPECIFICATIONS.....	9
4.1	Absolute Maximum Rating.....	9
4.2	Normal Operating Rating.....	9
4.3	Electrical Characteristics ( $V_{CC} = 5V \pm 10\%$ ).....	9
4.4	Timing Characteristics.....	9
4.5	Timing Sequence for 8 Bit Parallel Interface.....	<b>Error! Bookmark not defined.</b>
4.6	Timing Sequence for 4 Bit Parallel Interface.....	<b>Error! Bookmark not defined.</b>
4.7	Connector Pin Assignments (P1).....	9
5.0	ENVIRONMENTAL CHARACTERISTICS.....	9
5.1	Operating.....	9
5.2	Non-Operating.....	9
6.0	OPTICAL SPECIFICATIONS.....	9
6.1	Optical Characteristics.....	9
6.2	Viewing Angle Adjustment.....	9
7.0	EL BACKLIGHTING.....	9
7.1	EL Backlight Description.....	9
7.2	Electrical Characteristics of EL Backlight.....	9

<b>Industrial Electronic Engineers, Inc.</b>	SIZE A	CODE IDENT NO. <b>05464</b>	<b>S03858-06-0105</b>	
<b>Van Nuys, California</b>	Scale: NONE	Rev C	Sheet 2	

## Table of Contents

<u>Paragraph</u>	<u>Title</u>	<u>Page</u>
7.3	Operation.....	9
7.3.1	Normal Operation.....	9
7.3.2	Brightness, Voltage and Frequency Characteristics .....	9
7.3.3	Intermittent Operation.....	9
7.3.4	Square Waveform Operation.....	9
7.3.5	Operating Temperature.....	9
7.3.6	Operating Life.....	9
7.4	Electromagnetic Interference (EMI) .....	9
7.5	DC-AC Inverter .....	9
8.0	INSTALLATION NOTE .....	9
9.0	ACCESSORIES.....	9
10.0	OUTLINE AND MOUNTING CHARACTERISTICS .....	9

<b>Industrial Electronic Engineers, Inc.</b>	SIZE A	CODE IDENT NO. <b>05464</b>	<b>S03858-06-0105</b>	
<b>Van Nuys, California</b>	Scale: NONE	Rev C	Sheet 3	

## List of Figures

<u>Figure</u>	<u>Title</u>	<u>Page</u>
Figure 1	LCD Module Block Diagram.....	6
Figure 2	LCD Controller Block Diagram .....	7
Figure 3	Correspondence Between Character Codes and Character Patterns .....	8
Figure 4	Relationship Between CG RAM Address, Character Codes (DD RAM) and Character Patterns (CG RAM Data) .....	9
Figure 5	LCD Controller Instruction Set .....	9
Figure 6	Initial Conditions on Power Up .....	9
Figure 7	Display Shift Left from Initial Conditions.....	9
Figure 8	Display Shift Right from Initial Conditions .....	9
Figure 9	Load Character with S=1, I/D=0 from Initial Conditions.....	9
Figure 10	Load Character with S=1, I/D=1 from Initial Conditions.....	9
Figure 11	Interface Timing (Write) .....	<b>Error! Bookmark not defined.</b>
Figure 12	Interface Timing (Read) .....	<b>Error! Bookmark not defined.</b>
Figure 13	Busy Flag Check Sequence for 8-bit Parallel Interface .....	<b>Error! Bookmark not defined.</b>
Figure 14	Busy Flag Check Sequence for 4-bit Parallel Interface .....	<b>Error! Bookmark not defined.</b>
Figure 15	Definition of Vertical Viewing Angle .....	9
Figure 16	Definition of Horizontal Viewing Angle.....	9
Figure 17	Definition of Contrast Ratio (CR) .....	9
Figure 18	Definition of Optical Response .....	9
Figure 19	Initial Brightness vs. Voltage .....	9
Figure 20	Initial Brightness vs. Frequency.....	9
Figure 21	Brightness vs. Time.....	9
Figure 22	03858-06-0105 Outline Drawing.....	9

<b>Industrial Electronic Engineers, Inc.</b>  <b>Van Nuys, California</b>	SIZE A	CODE IDENT NO. <b>05464</b>	<b>S03858-06-0105</b>
		Scale: NONE    Rev C	Sheet 4

## 1.0 GENERAL INFORMATION

### 1.1 Introduction

This specification describes the parallel interface Daystar Nova model 03805-06-0105, a 4-line supertwist liquid crystal display (LCD) with 20 characters per line.

Model Number Designation System

<u>03858</u>	-	<u>06</u>	-	<u>0</u>		<u>1</u>		<u>0</u>		<u>5</u>
Transflective STN LCD w/EL Backlight		4x20 Format		Reserved		1 = Parallel Data Input * 2 = Serial Data Input		0 = External Backlight Power		5 = Aviation Green Color

\* Parallel standard, Serial optional

### 1.2 Application

Daystar Nova modules provide alphanumeric information which is easily readable in high ambient light or in darkness with the installed EL backlight. The low power requirements of the modules make them suitable for portable battery operated equipment. The wide operating temperature range (-30° to +80°C) is ideal for most outdoor applications. The choice of a preferential viewing hemisphere is not necessary because of the excellent wide angle viewing characteristics of the new Super Bi-refracting Effect (SBE) liquid crystal cell used in this display.

For applications where the display is remotely located up to 50 feet from the host processor, the serial data input option should be used. The serial option model is described in IEE specification S03858-06-0205.

### 1.3 Description

The Daystar Nova module is a self-contained 1/16 multiplexed unit. A simple parallel interface is provided and can be configured as either 4 or 8 bits. The on-board microprocessor controls the display, multiplexing and character decoding. The temperature compensation circuitry guarantees that the viewing characteristics are optimized for all temperatures.

The SBE liquid crystal cell used in this display has a golden-green background with dark blue-black characters.

The on-board character generator ROM generates 192 types of alphanumeric, numeric, katakana characters and symbols. In addition, a character generator RAM allows the user to define eight additional characters.

A variety of high level functions allow the programmer to operate the display with simple and straightforward software routines. One such feature automatically increments the character display position after each character is written.

A single +5 Volt nominal power supply is required for operation of the LCD module. The unit operates from 4.50 Volts to 5.50 Volts. The typical power requirement for the module is 40mW.

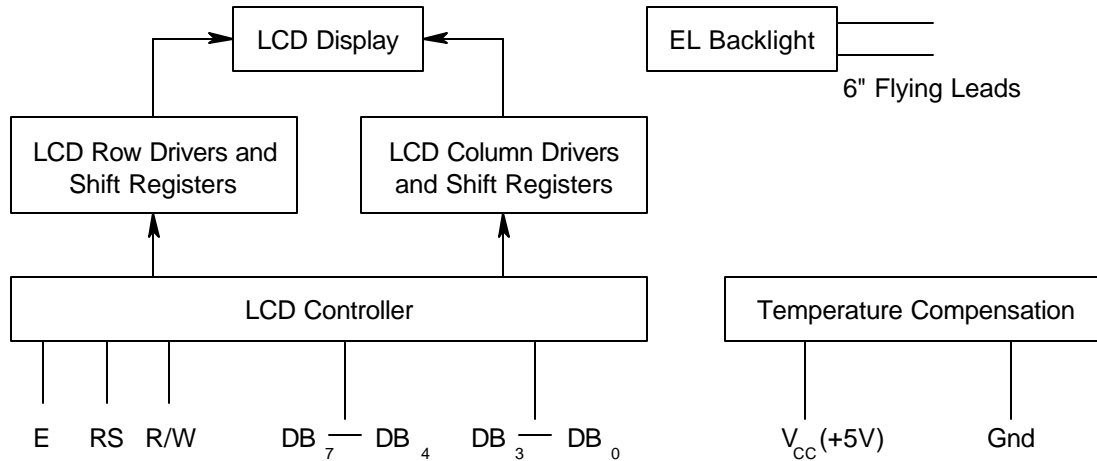
The module weighs 6.3 oz. (179 grams).

<b>Industrial Electronic Engineers, Inc.</b>  <b>Van Nuys, California</b>	SIZE A	CODE IDENT NO. <b>05464</b>	<b>S03858-06-0105</b>	
	Scale: NONE	Rev C	Sheet 5	

## 2.0 LOGICAL STRUCTURE AND FUNCTION

### 2.1 LCD Module

Figure 1 illustrates the major components of the Daystar Nova module. The microprocessor controls all multiplexing and character decoding. The temperature compensation network optimizes both viewing and contrast ratio for the display over all operating temperatures.



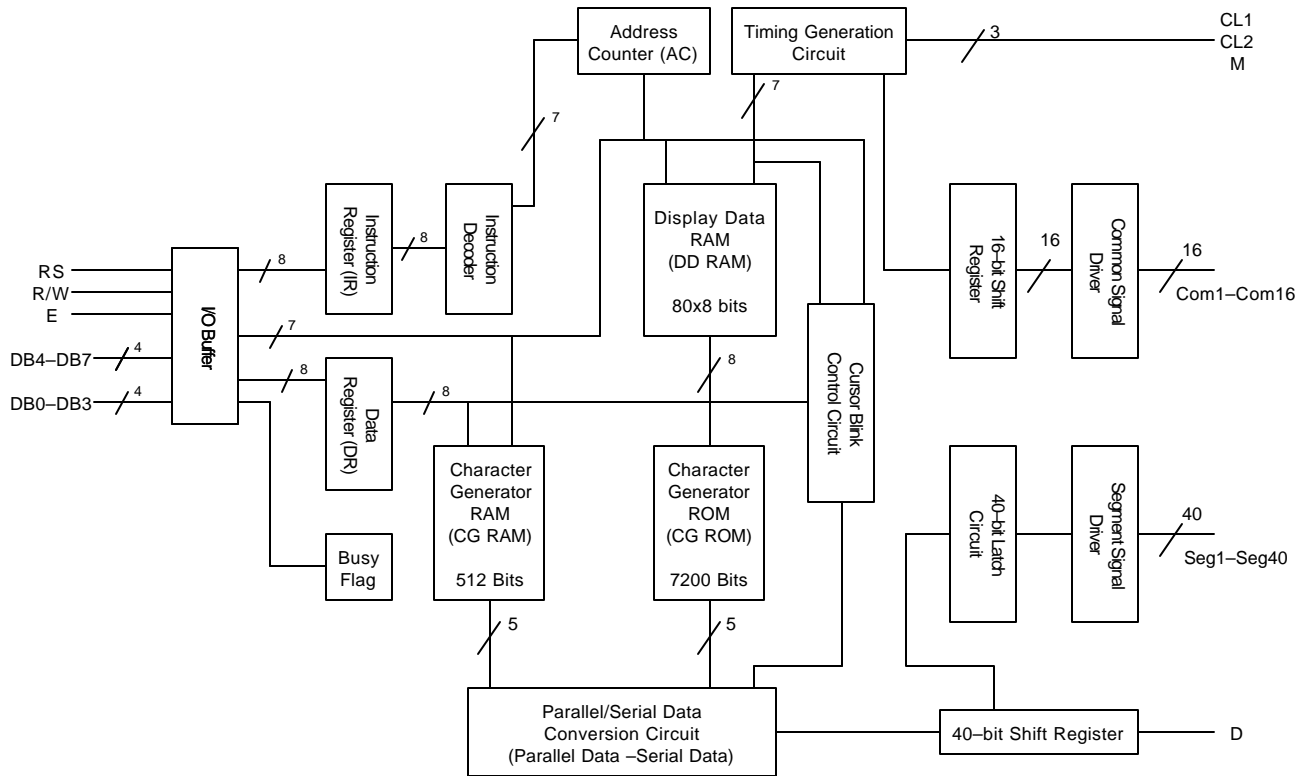
**Figure 1 LCD Module Block Diagram**

#### 2.1.1 Signal Description

Signal Name	Number Of Lines	Input/Output	Connected
RS	1	I	LCD Controller
R/W	1	I	LCD Controller
E	1	I	LCD Controller
DB <sub>4</sub> –DB <sub>7</sub>	4	I/O	LCD Controller
DB <sub>0</sub> –DB <sub>3</sub>	4	I/O	LCD Controller
V <sub>CC</sub>	2	–	Power
GND	7	–	–

Industrial Electronic Engineers, Inc.  Van Nuys, California	SIZE A	CODE IDENT NO. <b>05464</b>	<b>S03858-06-0105</b>
	Scale: NONE	Rev C	Sheet 6

## 2.2 LCD Controller



**Figure 2 LCD Controller Block Diagram**

### 2.2.1 Instruction Register (IR)

The IR stores instruction codes such as display clear and cursor shift, and address information of the display data RAM (DD RAM) and character generator RAM (CG RAM). The IR can be written from the MPU, but not read.

### 2.2.2 Data Register (DR)

The DR temporarily stores data to be written into or read from the DD RAM or the CG RAM.

### 2.2.3 Busy Flag

When the Busy Flag is a "1", the module is in an internal operating mode and ignores any additional instructions (Refer to Read Busy Flag and Address instruction).

### 2.2.4 Address Counter (AC)

The AC determines the address of the DD RAM or CG RAM in which new data is stored. After writing into (or reading from) the DD RAM or CG RAM, the AC is incremented or decremented as defined by the Increment/Decrement bit (Refer to Entry Mode Set instruction).

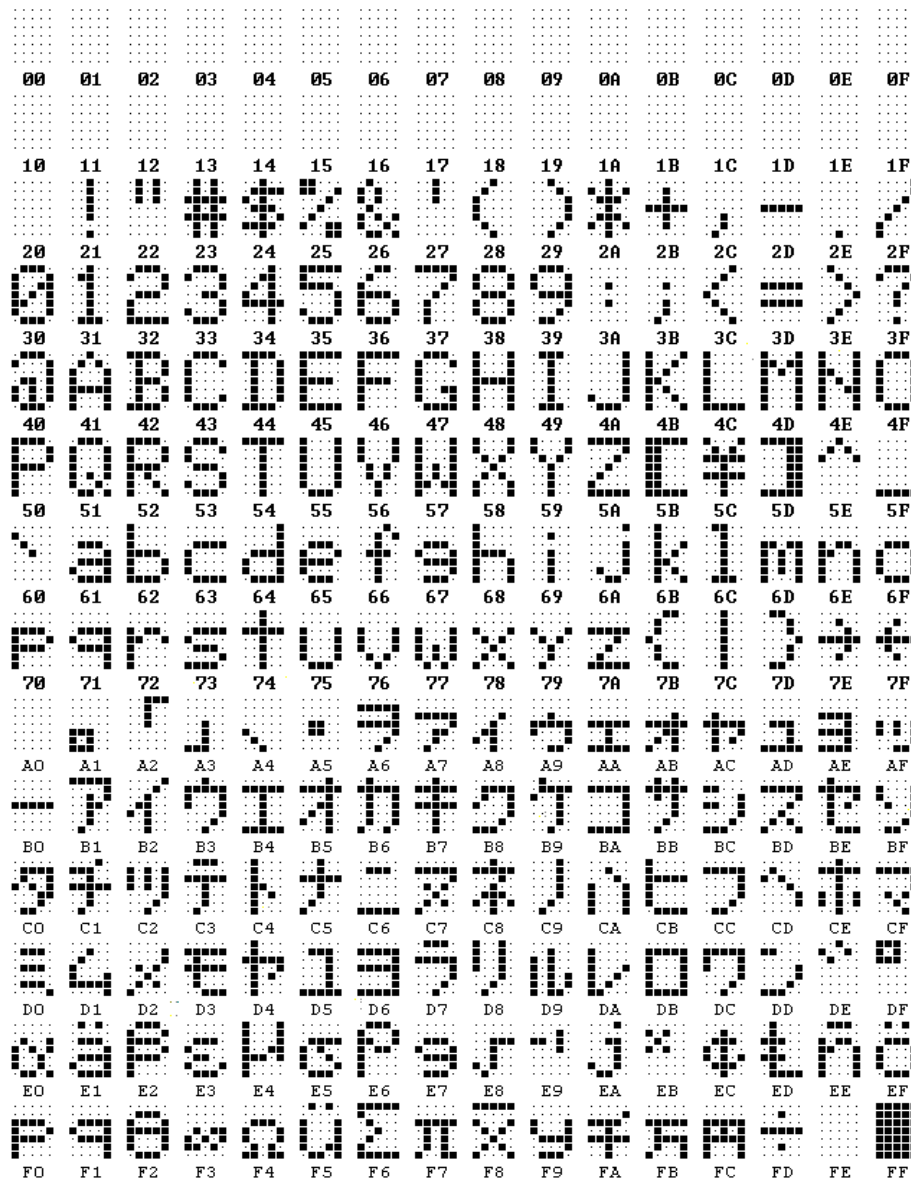
Industrial Electronic Engineers, Inc.  Van Nuys, California	SIZE A	CODE IDENT NO. <b>05464</b>	<b>S03858-06-0105</b>
	Scale: NONE	Rev C	Sheet 7

### 2.2.5 Display Data RAM (DD RAM)

The DD RAM contains 80 X 8 bits and represents 80 characters. The relationship between the DD RAM address and position of the characters in the display can be controlled by the user (Refer to Entry Mode Set and Cursor or Display Shift instructions).

### 2.2.6 Character Generator ROM (CG ROM)

The CG ROM generates character patterns of 5 X 7 dots from 8 bit character codes. The 192 5 X 7 dot matrix characters are illustrated in Figure 3.



**Figure 3 Correspondence Between Character Codes and Character Patterns**

**Note:** Addresses 00h through 0Fh are reserved for CG RAM Addressing. Addresses 10h through 1Fh and 80h through 9Fh are not used.

### 2.2.7 Character Generator RAM (CG RAM)

The CG RAM allows the user to define 8 types of 5 X 7 character patterns. Figure 4 shows the relationship

Industrial Electronic Engineers, Inc.  Van Nuys, California	SIZE A	CODE IDENT NO. <b>05464</b>	<b>S03858-06-0105</b>	
	Scale: NONE		Rev C	Sheet 8



between CG RAM addresses and data patterns (Refer to Set CG RAM Address and Write to CG or DD RAM instructions).

Character Codes (DD RAM Data)								CG RAM Address								Character Patterns (CG RAM Data)																																																																															
7	6	5	4	3	2	1	0	5	4	3	2	1	0	7	6	5	4	3	2	1	0																																																																										
←Higher Order Bits				Lower Order Bits→				←Higher Order Bits				Lower Order Bits→				←Higher Order Bits				Lower Order Bits→																																																																											
																<table border="1"> <tr><td>*</td><td>*</td><td>*</td><td>1</td><td>1</td><td>1</td><td>1</td><td>0</td></tr> <tr><td></td><td></td><td></td><td>1</td><td>0</td><td>0</td><td>0</td><td>1</td></tr> <tr><td></td><td></td><td></td><td>1</td><td>0</td><td>0</td><td>0</td><td>1</td></tr> <tr><td></td><td></td><td></td><td>1</td><td>1</td><td>1</td><td>1</td><td>0</td></tr> <tr><td></td><td></td><td></td><td>1</td><td>0</td><td>1</td><td>0</td><td>0</td></tr> <tr><td></td><td></td><td></td><td>1</td><td>0</td><td>0</td><td>1</td><td>0</td></tr> <tr><td></td><td></td><td></td><td>1</td><td>0</td><td>0</td><td>0</td><td>1</td></tr> <tr><td></td><td></td><td></td><td>1</td><td>1</td><td>1</td><td>1</td><td>0</td></tr> <tr><td>*</td><td>*</td><td>*</td><td>0</td><td>0</td><td>0</td><td>0</td><td>0</td></tr> </table>								*	*	*	1	1	1	1	0				1	0	0	0	1				1	0	0	0	1				1	1	1	1	0				1	0	1	0	0				1	0	0	1	0				1	0	0	0	1				1	1	1	1	0	*	*	*	0	0	0	0	0
*	*	*	1	1	1	1	0																																																																																								
			1	0	0	0	1																																																																																								
			1	0	0	0	1																																																																																								
			1	1	1	1	0																																																																																								
			1	0	1	0	0																																																																																								
			1	0	0	1	0																																																																																								
			1	0	0	0	1																																																																																								
			1	1	1	1	0																																																																																								
*	*	*	0	0	0	0	0																																																																																								
0 0 0 0 * 0 0 0								0 0 0 1 0 0								<p>Character Pattern Example  ←Cursor</p>																																																																															

**Figure 4 Relationship Between CG RAM Address, Character Codes (DD RAM) and Character Patterns (CG RAM Data)**

**NOTES:**

- 1) The CG RAM consists of 64 bytes. Any bytes not used for character pattern information can be used for general purpose data RAM. The 5, 6 and 7 bits are never used for character pattern information and are always available for use.
- 2) The 0, 1 and 2 bits of character code correspond to the 3, 4 and 5 bits of the CG RAM address.
- 3) The 0, 1 and 2 bits of the CG RAM address specify the row of the character pattern.
- 4) The 8th row of the character pattern corresponds to the cursor character pattern. If any bit in the row is "1", then the corresponding cursor bit is a "1" regardless of cursor position. (For most applications, the data should be "0" in this row, which allows for normal cursor operation on the character.)
- 5) Since bit 3 is a "don't care", two character codes represent the same special character. For example, a character code of 07 (hexadecimal) selects the same character pattern as 0F (hexadecimal).

**2.2.8 Parallel/Serial Data Conversion Circuitry, Timing Generator Circuitry**

These blocks control the interface to the LCD drivers.

<b>Industrial Electronic Engineers, Inc.</b>  <b>Van Nuys, California</b>	SIZE A	CODE IDENT NO. <b>05464</b>	<b>S03858-06-0105</b>	
	Scale: NONE		Rev C	Sheet 9

### 3.0 OPERATION

#### 3.1 Instruction Set

Instruction	Code										Description	Execution Time (Max)
	RS	R/W	DB <sub>7</sub>	DB <sub>6</sub>	DB <sub>5</sub>	DB <sub>4</sub>	DB <sub>3</sub>	DB <sub>2</sub>	DB <sub>1</sub>	DB <sub>0</sub>		
Clear Display	0	0	0	0	0	0	0	0	0	1	Clears entire display and sets DD RAM to 0	1.64 ms
Return Home	0	0	0	0	0	0	0	0	1	*	Sets DD RAN counter to 0. If the display has been shifted, characters are returned to their initial positions. DD RAM contents remain unchanged.	1.64 ms
Entry Mode Set	0	0	0	0	0	0	0	1	I/D	S	Sets shift register direction and cursor movement direction which occur during data read and write operations	40µs
Display ON/OFF Control	0	0	0	0	0	0	1	D	C	B	Turns ON/OFF the entire display (D), cursor) and cursor blink attribute (B).	40µs
Cursor or Display Shift	0	0	0	0	0	1	S/C	R/L	*	*	Moves cursor or shifts entire display one position. DD RAM contents are unchanged.	40µs
Function Set	0	0	0	0	1	DL	1	0	*	*	Sets Interface Data Length.	40µs
Set CG RAM Address	0	0	0	1							Sets CG RAM address. CG RAM data is sent or received after this is set.	40µs
Set DD RAM Address	0	0	1								Sets DD RAM address. DD RAM data is sent or received after this is set.	40µs
Read Busy Flag and Address	0	1	BF								Reads Busy Flag (BF) and Address Counter	0µs
Write Data to CG or DD RAM	1	0									Writes data into CG RAM or DD RAM.	40µs
Read Data from CG or DD RAM	1	1									Reads data from CG RAM or DD RAM.	40µs

I/D=1:	Increment	DD RAM:	Display Data RAM
I/D=0:	Decrement	CG RAM:	Character Generator RAM
S=1:	Enable Shift Operation	A <sub>CG</sub>	CG RAM Address
S/C=1:	Shift Display	A <sub>DD</sub>	DD RAM Address
S/C=0:	Shift Cursor		(Corresponds to cursor address)
R/L=1:	Shift Right	AC	Address Counter
R/L=0:	Shift Left		(used for both CG and DD RAM)
DL=1:	8-bit operation	*	Don't Care
DL=0:	4-bit operation		
BF=1:	Operating internally		
BF=0:	Can accept instruction		

**Figure 5 LCD Controller Instruction Set**

Industrial Electronic Engineers, Inc.  Van Nuys, California	SIZE A	CODE IDENT NO. <b>05464</b>	<b>S03858-06-0105</b>	
	Scale: NONE		Rev C	Sheet 10

### 3.2 Power Up Instructions Sequence

Upon power up, the Daystar Nova module is set to a default mode of operation. Under some power up circumstances, the default mode may be improperly set. Consequently, the following instructions should always be executed in the host systems initialization routine.

Step	Operation
1	Function Set for 8 bits
2	Repeat, Function Set for 8 bits
3	Function Set
4	Clear Display
5	Entry Mode Set
6	Display On/Off Control

STEP	RS	R/W	DB <sub>7</sub>	DB <sub>6</sub>	DB <sub>5</sub>	DB <sub>4</sub>	DB <sub>3</sub>	DB <sub>2</sub>	DB <sub>1</sub>	DB <sub>0</sub>
1	0	0	0	0	1	1	*	*	*	*
2	0	0	0	0	1	1	*	*	*	*
3	0	0	0	0	1	DL	1	0	*	*
4	0	0	0	0	0	0	0	0	0	1
5	0	0	0	0	0	0	0	1	I/D	S
6	0	0	0	0	0	0	1	D	C	B

Refer to instruction set for values of DL, I/D, S, D, C and B. (\* Don't care)

### 3.3 Instructions Affecting the Relationship of Display Position, Cursor, and DD RAM Address

The DD RAM contains the 8 bit character codes of the 40 characters displayed on the Daystar Nova LCD. The Cursor or Display Shift instruction and the Write to DD RAM and Entry Mode instructions affect the relationship between DD RAM address and display position. Figures 6 to 10 illustrate the effects of these instructions.

00*	01	02	03	04	05	06	07	08	09	0A		0E	0F	10	11	12	13	
40	41	42	43	44	45	46	47	48	49	4A		4E	4F	50	51	52	53	
14	15	16	17	18	19	1A	1B	1C	1D	1E		22	23	24	25	26	27	
54	55	56	57	58	59	5A	5B	5C	5D	5E		62	63	64	65	66	67	

\* = Cursor

**Figure 6 Initial Conditions on Power Up**

01	02	03	04	05	06	07	08	09	0A	0B		0F	10	11	12	13	14
41	42	43	44	45	46	47	48	49	4A	4B		4F	50	51	52	53	54
15	16	17	18	19	1A	1B	1C	1D	1E	1F		23	24	25	26	27	00*
55	56	57	58	59	5A	5B	5C	5D	5E	5F		63	64	65	66	67	40

\* = Cursor

**Figure 7 Display Shift Left from Initial Conditions**

Industrial Electronic Engineers, Inc.  Van Nuys, California	SIZE A	CODE IDENT NO. 05464	S03858-06-0105	
	Scale: NONE		Rev C	Sheet 11

27	00*	01	02	03	04	05	06	07	08	09		0D	0E	0F	10	11	12
67	40	41	42	43	44	45	46	47	48	49		4D	4E	4F	50	51	52
13	14	15	16	17	18	19	1A	1B	1C	1D		21	22	23	24	25	26
53	54	55	56	57	58	59	5A	5B	5C	5D		61	62	63	64	65	66

\* = Cursor

**Figure 8 Display Shift Right from Initial Conditions**

01*	02	03	04	05	06	07	08	09	0A	0B		0F	10	11	12	13	14
41	42	43	44	45	46	47	48	49	4A	4B		4F	50	51	52	53	54
15	16	17	18	19	1A	1B	1C	1D	1E	1F		23	24	25	26	27	00#
55	56	57	58	59	5A	5B	5C	5D	5E	5F		63	64	65	66	67	40

\* = Cursor

# = Last Character Entered

**Figure 9 Load Character with S=1, I/D=0 from Initial Conditions**

27*	00#	01	02	03	04	05	06	07	08	09		0D	0E	0F	10	11	12
67	40	41	42	43	44	45	46	47	48	49		4D	4E	4F	50	51	52
13	14	15	16	17	18	19	1A	1B	1C	1D		21	22	23	24	25	26
53	54	55	56	57	58	59	5A	5B	5C	5D		61	62	63	64	65	66

\* = Cursor

# = Last Character Entered

**Figure 10 Load Character with S=1, I/D=1 from Initial Conditions**

### 3.4 Instructions Affecting Custom Characters

The module allows the user to define 8 unique special characters. The pattern of the characters is stored in the CG RAM. The relationship between the CG RAM address and the character pattern is illustrated in Figure 4. The Read Data from CG RAM, Write Data to CG RAM, and Set DD RAM instructions provide for easy programmability.

## 4.0 ELECTRICAL SPECIFICATIONS

### 4.1 Absolute Maximum Rating

Power Supply Voltage ( $V_{CC}$ )                     $-0.3$  to  $+6.5 V_{DC}$   
Input Voltage     $-0.3$  to  $+V_{CC} + 0.3 V_{DC}$

### 4.2 Normal Operating Rating

Power Supply Voltage ( $V_{CC}$ )                     $+5.0$  Volts  $\pm 10\%$   
Supply Current ( $V_{CC} = 5 V_{DC}$ )                 $8$  mA  $\pm 2$  mA  
Backlight (+5 Volt Inverter)                     $100$  mA

<b>Industrial Electronic Engineers, Inc.</b>  <b>Van Nuys, California</b>	<b>SIZE</b> A	<b>CODE IDENT</b> NO. <b>05464</b>	<b>S03858-06-0105</b>
	Scale: NONE		Rev C      Sheet 12

### 4.3 Electrical Characteristics ( $V_{CC} = 5V \pm 10\%$ )

Item	Symbol	Condition	Min	Max	Unit
Input "High" Voltage	$V_{IH}$	2.2	$V_{CC}$	V	
Input "Low" Voltage	$V_{IL}$	-0.3	0.6	V	
Output "High" Voltage (TTL)	$V_{OH1}$	$I_{OH} = 0.205 \text{ mA}$	2.4	-	V
Output "Low" Voltage (TTL)	$V_{OL1}$	$I_{OL} = 1.200 \text{ mA}$	-	0.4	V
Output "High" Voltage (CMOS)	$V_{OH2}$	$I_{OH} = 0.040 \text{ mA}$	$0.9 V_{CC}$	-	V
Output "Low" Voltage (CMOS)	$V_{OL2}$	$I_{OL} = 0.040 \text{ mA}$	-	$0.1 V_{CC}$	V
Input Leakage Current	$I_{IL}$	$V_{IN} = 0 \text{ to } V_{CC}$	-	0.001	mA
Supply Current (logic)	$I_{CC}$		6	12	mA
Supply Current (EL Lamp)	$I_{BL}$	$V_{BL} = +5 V_{DC}$		120	mA

### 4.4 Timing Characteristics

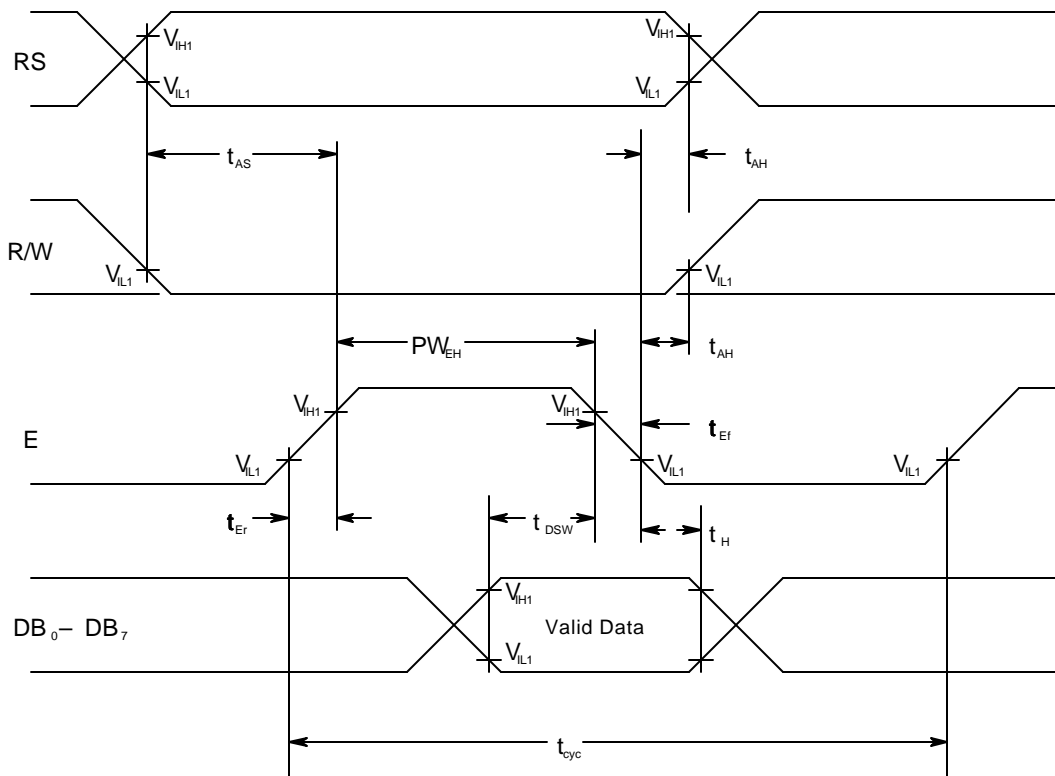
Write Operation (Refer to Figure 11)

Item	Symbol	Min	Max	Unit
Enable Cycle Time	$t_{CYC}$	1000	-	ns
Enable Pulse Width "High Level"	$PW_{EH}$	450	-	ns
Enable Rise/Fall Time	$t_{Er}, t_{Ef}$	-	25	ns
Address Set-up Time RS,R/W	$t_{AS}$	140	-	ns
Address Hold Time	$t_{AH}$	10	-	ns
Data Set-up Time	$t_{DSW}$	195	-	ns
Data Hold Time	$t_H$	10	-	ns

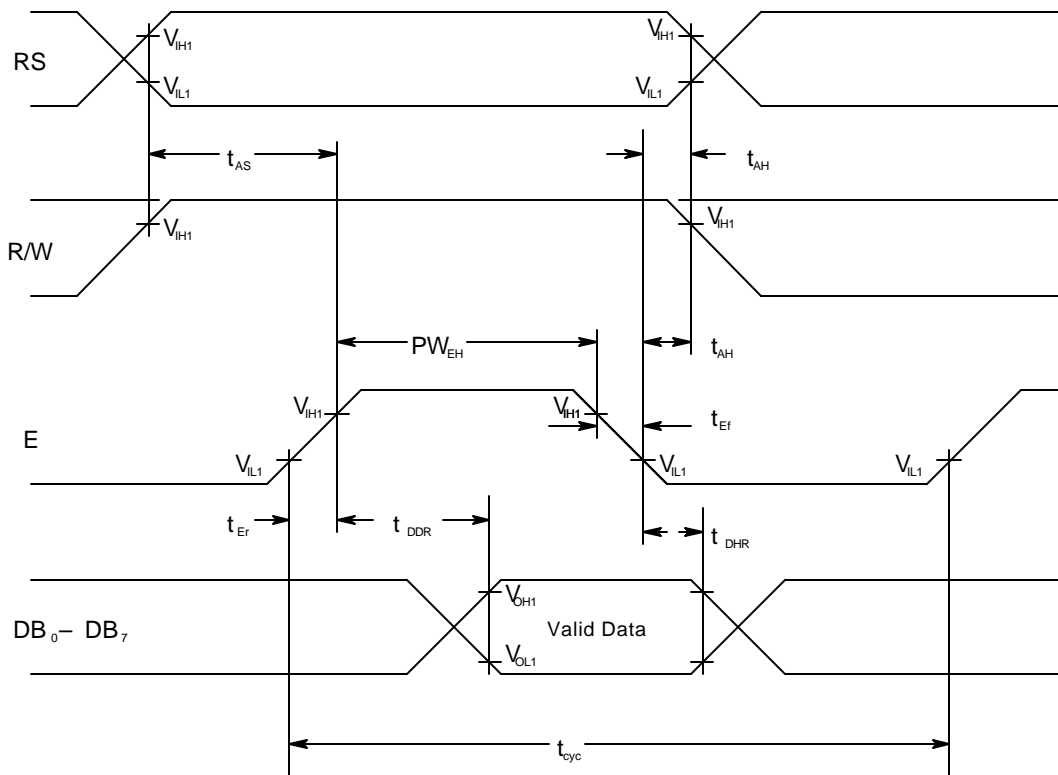
Read Operation (Refer to Figure 12)

Item	Symbol	Min	Max	Unit
Enable Cycle Time	$t_{CYC}$	1000	-	ns
Enable Pulse Width "High Level"	$PW_{EH}$	450	-	ns
Enable Rise/Fall Time	$t_{Er}, t_{Ef}$	-	25	ns
Address Set-up Time RS,R/W	$t_{AS}$	140	-	ns
Address Hold Time	$t_{AH}$	10	-	ns
Data Delay Time	$t_{DDR}$	-	320	ns
Data Hold Time	$t_{DHR}$	20	-	ns

Industrial Electronic Engineers, Inc.  Van Nuys, California	SIZE A	CODE IDENT NO. 05464	S03858-06-0105	
	Scale: NONE		Rev C	Sheet 13



**Figure 11 Interface Timing (Write)**

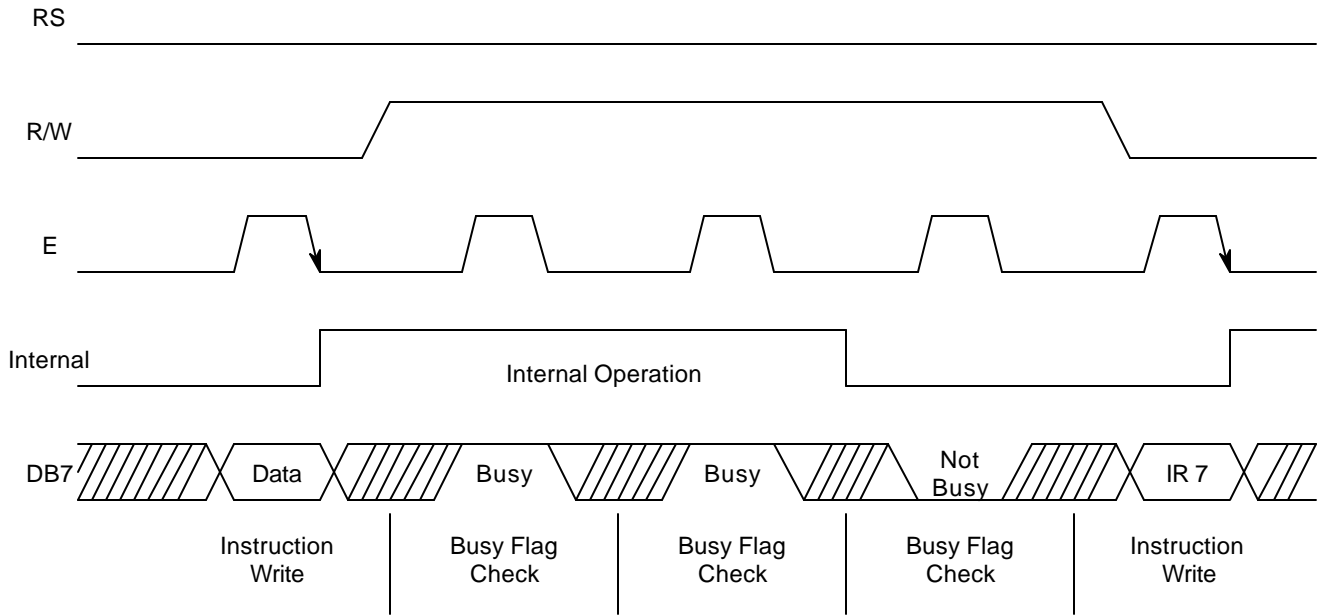


**Figure 12 Interface Timing (Read)**

Industrial Electronic Engineers, Inc.  Van Nuys, California	SIZE A	CODE IDENT NO. <b>05464</b>	<b>S03858-06-0105</b>
	Scale: NONE	Rev C	Sheet 14

#### 4.5 Timing Sequence for 8 Bit Parallel Interface

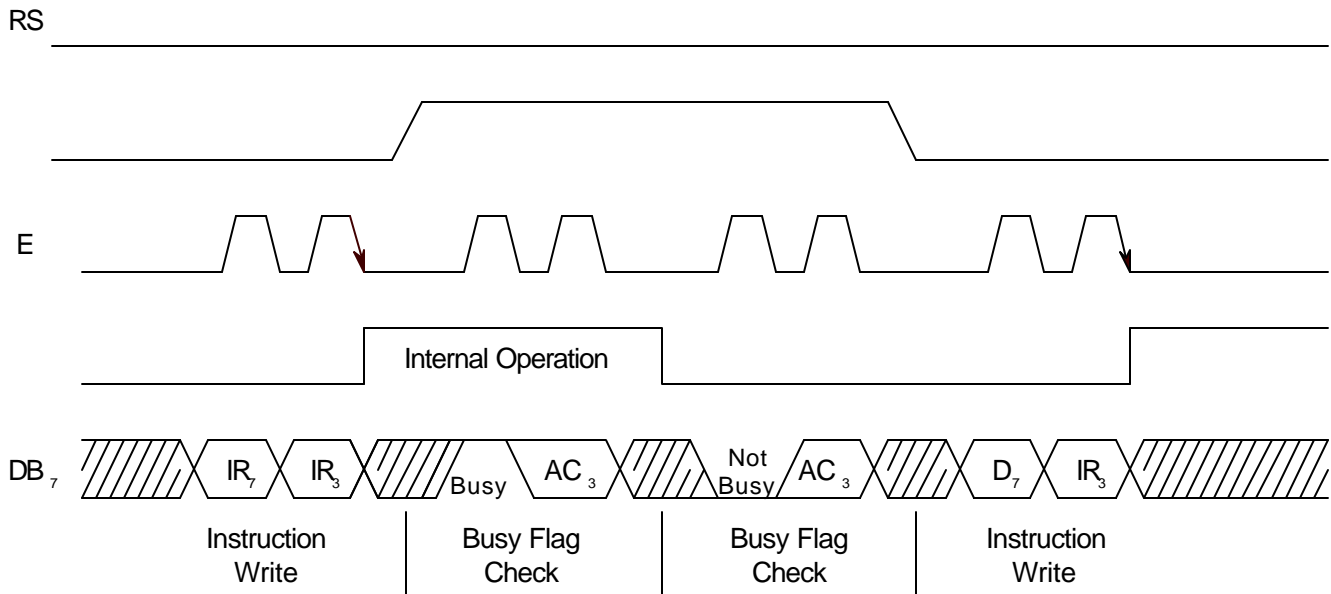
Figure 13 illustrates the typical Busy Flag check sequence for an 8 bit data interface.



**Figure 13 Busy Flag Check Sequence for 8-bit Parallel Interface**

#### 4.6 Timing Sequence for 4 Bit Parallel Interface

Figure 14 illustrates the typical Busy Flag check sequence for a 4 bit data bus interface.



**Figure 14 Busy Flag Check Sequence for 4-bit Parallel Interface**

Note: IR<sub>7</sub>, IR<sub>3</sub>: Instruction, 7th bit & 3rd bit  
 AC<sub>3</sub>: Address Counter, 3rd bit

Industrial Electronic Engineers, Inc.  Van Nuys, California	SIZE A	CODE IDENT NO. 05464	S03858-06-0105
	Scale: NONE	Rev C	Sheet 15

#### 4.7 Connector Pin Assignments (P1)

Pin No.	Function
1	N/C
2	V <sub>BIAS</sub> (Factory Set-up Test Point)
3	N/C *
4	ADJ (Viewing Angle Adjustment)
5	R/W (Read = Logic 1)
6	Key (Pin Removed)
7	RS
8	Ground
9	Enable (E1)
10	Ground
11	DB <sub>0</sub>
12	Ground
13	DB <sub>1</sub>
14	Ground
15	DB <sub>2</sub>
16	Ground
17	DB <sub>3</sub>
18	Ground
19	DB <sub>4</sub>
20	Ground
21	DB <sub>5</sub>
22	V <sub>CC</sub> (+5V <sub>DC</sub> – Parallel with Pin 24)
23	DB <sub>6</sub>
24	V <sub>CC</sub> (+5V <sub>DC</sub> – Parallel with Pin 22)
25	DB <sub>7</sub>
26	N/C

\* When the display module includes the serial data input option, Pin 3 is internally connected to provide signal E2 as an output to a second display module.

CMOS Note: Care must be taken to insure that input signals do not exceed the supply voltage or ground levels. Data cables must be as short as possible to reduce signal overshoots.

<b>Industrial Electronic Engineers, Inc.</b>  <b>Van Nuys, California</b>	SIZE A	CODE IDENT NO. <b>05464</b>	<b>S03858-06-0105</b>
	Scale: NONE	Rev C	Sheet 16



## 5.0 ENVIRONMENTAL CHARACTERISTICS

### 5.1 Operating

Temperature:	-30 to +80°C (Backlight Off)
	-30 to +40°C (Backlight On, See Paragraph 7.3.5)
Humidity: (@ 40°C)	95% RH (non-condensing)
Humidity (< 40°C):	Absolute humidity must be lower the humidity of 95% RH at 40°C
Vibration:	10g at 10 to 400Hz (3 axes)
Shock:	10g (all axes)

### 5.2 Non-Operating

Temperature:	-40°C to +85°C
--------------	----------------

## 6.0 OPTICAL SPECIFICATIONS

### 6.1 Optical Characteristics

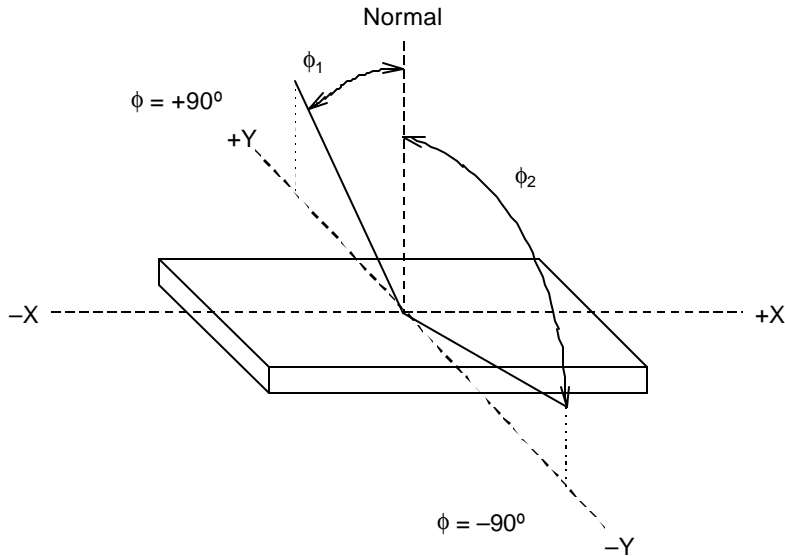
Format:	Four lines of 20 characters
Character Font:	5x7 dot matrix with cursor
Character Height w/ cursor:	0.48" (12.1mm)
Character Height w/o cursor:	0.39" (9.9mm)
Character Width:	0.24" (6.1mm)
Overall Active Area:	5.70" x 2.34" (144.9mm x 59.5mm)
Peak Vertical Viewing Angle:	20° below normal plane
Viewing Mode:	Transflective, light field

Item	Symbol	Condition	Min	Typ	Max	Unit
Viewing Angle-Vertical	$\phi 1-\phi 2$	CR = 2.0, $\theta = 0^\circ$	100	120	-	deg.
Viewing Angle-Horizontal*	T	CR = 2.0	$\pm 45$	$\pm 55$	-	deg.
Contrast ratio (Peak)**	CR	25°C	10	18	-	-
Response time (ON)**	$t_r$	25°C	-	100	150	mS
		-30°C	-	2000	-	mS
Response time (OFF)**	$t_f$	25°C	-	150	200	mS
		-30°C	-	4000	-	mS

\* Measured at peak vertical angle,  $\phi = -20^\circ$

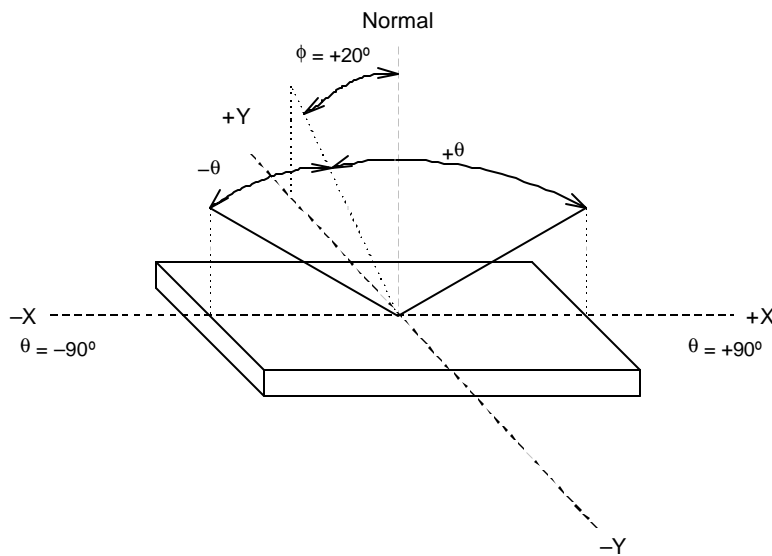
\*\* Measured at peak viewing angles:

Industrial Electronic Engineers, Inc.  Van Nuys, California	SIZE A	CODE IDENT NO. 05464	S03858-06-0105	
	Scale: NONE	Rev C	Sheet 17	



**Figure 15 Definition of Vertical Viewing Angle**

Definition of Horizontal Viewing Angle—top Viewing Display (for Bottom Viewing Displays  $\phi = -20^\circ$  Typically)



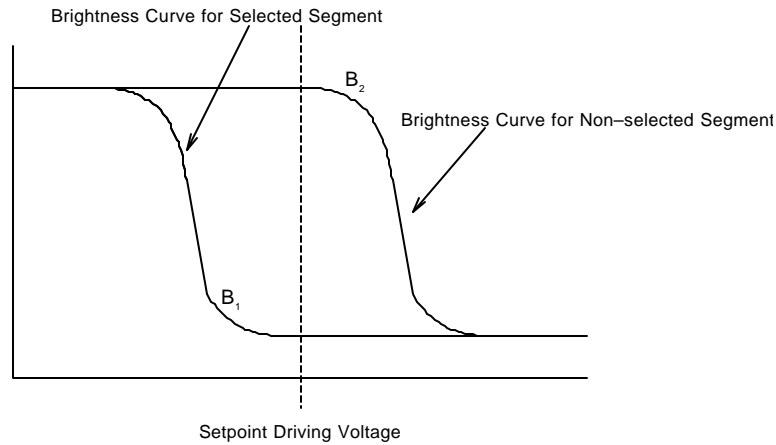
**Figure 16 Definition of Horizontal Viewing Angle**

Display contrast ratio is given by:

$$CR = \frac{B_2}{B_1}$$

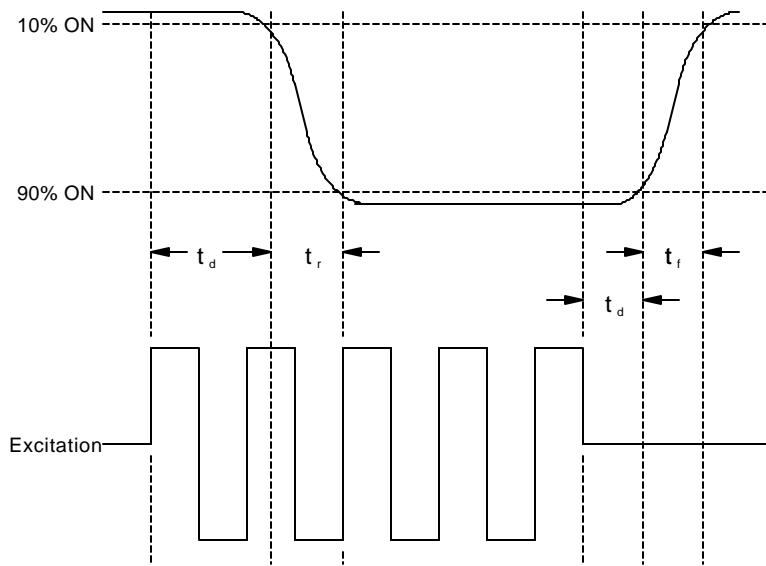
Where:  $B_1$  = Brightness of selected segment  
 $B_2$  = Brightness of non-selected segment

<b>Industrial Electronic Engineers, Inc.</b>  <b>Van Nuys, California</b>	SIZE <b>A</b>	CODE IDENT NO. <b>05464</b>	<b>S03858-06-0105</b>
	Scale: NONE	Rev C	Sheet 18



**Figure 17 Definition of Contrast Ratio (CR)**

Definition of optical response.



**Figure 18 Definition of Optical Response**

## 6.2 Viewing Angle Adjustment

The factory preadjusts the viewing angle of the display by setting the LCD bias voltage to 10.2 Volts using the on-board potentiometer. This is considered to be a nominal adjustment, but the user may prefer to vary this to optimize the viewing for a particular application. The bias voltage is measured between  $V_{CC}$  (pin #22) and  $V_{BIAS}$  (pin #2).

The viewing angle and contrast ratio may be externally controlled using an additional 10K ohm potentiometer. The potentiometer on the rear of the module must first be set to the maximum resistance by turning the adjustment fully counterclockwise. A 10K ohm potentiometer can then be connected between pin numbers 4 and 22 on the connector. Since the module has wide viewing angle characteristics and built-in temperature compensation of the viewing angle, the user may find that this external viewing control is unnecessary.

Industrial Electronic Engineers, Inc.  Van Nuys, California	SIZE A	CODE IDENT NO. 05464	S03858-06-0105
	Scale: NONE	Rev C	Sheet 19

## 7.0 EL BACKLIGHTING

### 7.1 EL Backlight Description

The module contains an AC EL backlight which enables the LCD to read under low lighting conditions. The EL lamp provides uniform lighting across the entire display surface. Since the lamp is a cold light source, no heat is added to the module during operation.

### 7.2 Electrical Characteristics of EL Backlight

Typical measurements at 115VAC, 400Hz, unless otherwise noted.

Color:	Aviation Green
Radiance:	.051 Watts/ft <sup>2</sup>
Spectral peak emission:	520nm
Chromaticity:	X = .230 ± .030, Y = .500 ± .030
Voltage Range:	41 to 130 Volts
Operating Frequency (max.):	600Hz
Power Requirements:	.035 Watts/inch <sup>2</sup>

### 7.3 Operation

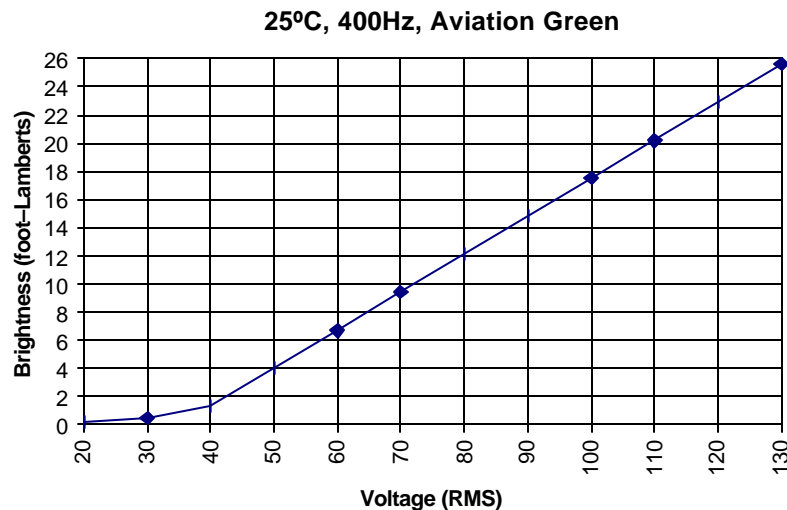
#### 7.3.1 Normal Operation

The EL lamp is designed for typical operation at 90 Volts AC at 330 cycles. The light output of the lamp under these operating conditions is typically 12 ft-L. Since the LCD transmits approximately 8% of the light, the light output through the display is 1 ft-L.

#### 7.3.2 Brightness, Voltage and Frequency Characteristics

Other voltages and frequencies can be applied to the lamp to increase or decrease the light output. Figure 19 illustrates the relationship between brightness and voltage. Figure 20 illustrates the relationship between brightness and frequency. A rough approximation of the initial brightness of an aviation green electroluminescent panel when driven by a sinusoidal waveform can be derived by the following equation.

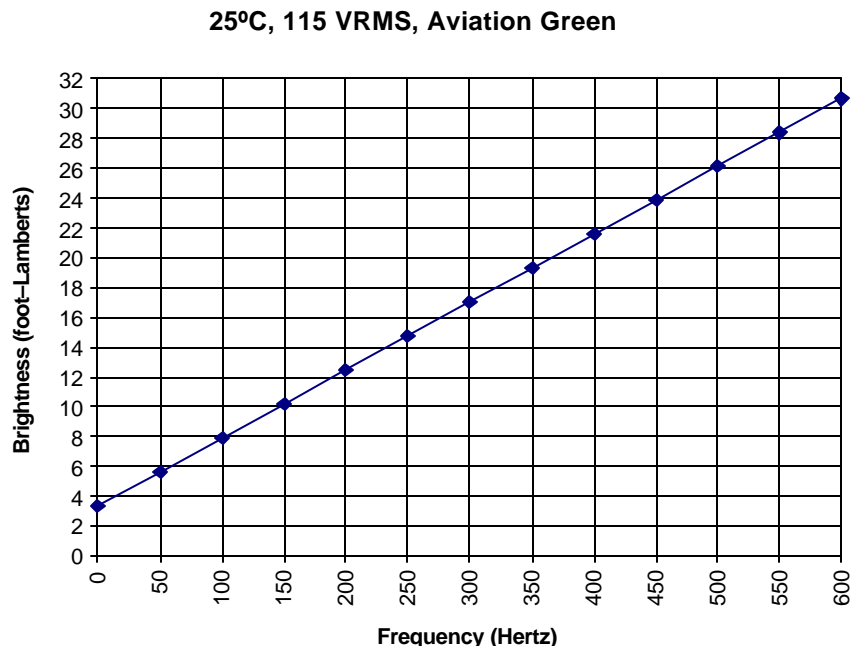
$B = 0.27 \times V + 0.0455 \times f - 27.7$  where: B = brightness of lamp in ft-L, V = voltage applied to lamp in RMS Volts and f = frequency in Hertz



**Figure 19 Initial Brightness vs. Voltage**

<b>Industrial Electronic Engineers, Inc.</b>  <b>Van Nuys, California</b>	SIZE A	CODE IDENT NO. <b>05464</b>	<b>S03858-06-0105</b>
	Scale: NONE		Rev C
			Sheet 20

### 7.3.2 Brightness, Voltage and Frequency Characteristics (Continued)



**Figure 20 Initial Brightness vs. Frequency**

### 7.3.3 Intermittent Operation

The EL backlight is intended for intermittent usage only. Continuous operation will result in greatly reduced life of the lamp. The user is cautioned to observe the notes in Section 6.3.5 and 6.3.6 to assure lifetime of the EL backlight.

### 7.3.4 Square Waveform Operation

Square wave operation is not recommended for EL lamps. First, square wave operation can result in a non-uniform light emission over the surface of the lamp. This non-uniformity is a result of the relatively high sheet resistivity of the front electrode causing an attenuation of the high frequency components in the square wave as distance from the bus bar increases. Consequently, the waveform is rounded at distances away from the bus bar. Second, the leading edge of a square wave contains high order harmonics which may cause radio interference (EMI).

### 7.3.5 Operating Temperature

The maximum continuous operating temperature for the EL backlight is specified at 40°C. Service may be extended to 70°C at a sacrifice in life. At temperatures above 70°C, aging is so rapid the prolonged operation is impractical. The specified non-operating temperature range -40°C to +85°C.

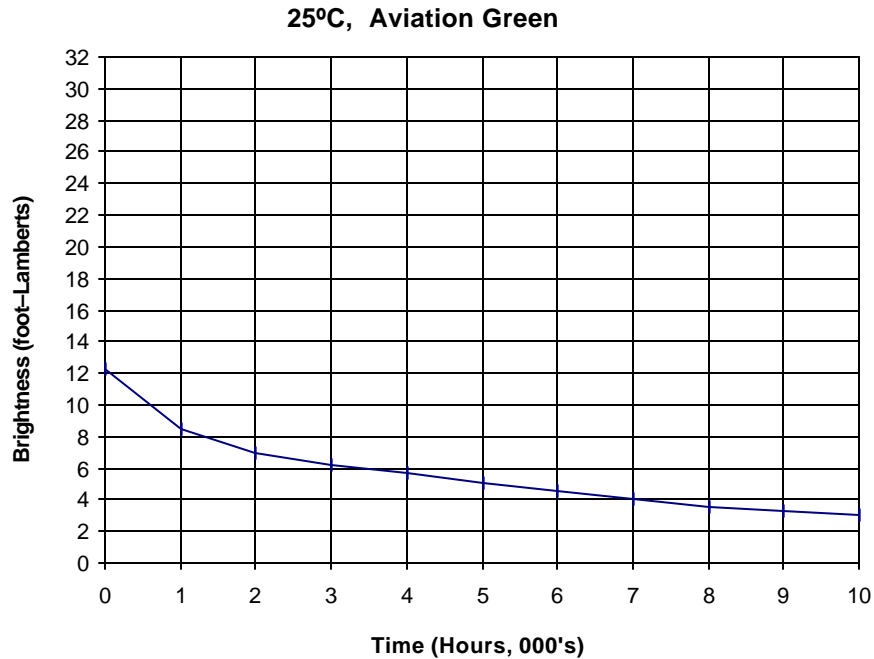
### 7.3.6 Operating Life

One of the prominent characteristics of EL lamps is the gradual decrease in light output, or aging, which occurs during operation. The useful life of the EL lamp depends on the ambient lighting conditions for a particular application. Typical lifetimes of 2000 to 10000 hours should be expected for most applications. The life of a lamp is affected by a number of factors, including the particular EL phosphor, the drive parameters (voltage and frequency) and the temperature during operation.

Figure 21 shows the gradual decrease in EL light output over time at 25°C with the inverter specified in Section

<b>Industrial Electronic Engineers, Inc.</b>  <b>Van Nuys, California</b>	SIZE A	CODE IDENT NO. <b>05464</b>	<b>S03858-06-0105</b>
	Scale: NONE		Rev C
			Sheet 21

7.5. The brightness values are measures of the lamp surface brightness. The transmitted light through the LCD is approximately 8% of the lamp surface brightness.



**Figure 21 Brightness vs. Time**

**7.4 Electromagnetic Interference (EMI)**

Electroluminescent lamps have been shown to radiate negligible interference through UHF when operated by quasi-sinusoidal waveforms.

**7.5 DC-AC Inverter**

Optimum performance and life can be achieved by using the inverter P/N 46013-01. The inverter extends; the useful life of the lamp by compensating for the aging characteristics of the lamp. The inverter operates in a constant power mode which provides for long lifetime at a relative constant light output. Because of the quasi-sinusoidal output, RFI is minimal and usually no shielding is required.

<b>Industrial Electronic Engineers, Inc.</b>  <b>Van Nuys, California</b>	SIZE A	CODE IDENT NO. <b>05464</b>	<b>S03858-06-0105</b>
	Scale: NONE	Rev C	Sheet 22

## 8.0 INSTALLATION NOTE

To protect the front polarizer from accidental damage it is highly recommended that the LCD be mounted behind a clear glass or polycarbonate window material. It is also recommended that an air gap of at least .030" to .050" minimum be provided between the window material and the surface of the LCD to prevent the transfer of static charges to the front surface of the LCD. Supertwist LCD's may activate un-driven elements in response to a surface static charge on the front polarizer. It may take several minutes for such a surface static charge to dissipate.

## 9.0 ACCESSORIES

5 Volt Input EL Backlight Inverter	46013-01
Power/Data Connector Only (26 pin)	30554-99
Keyed Power/Data Connector with cable	30554-XX
Double ended keyed Power/Data cable(26 pin)	30553-XX

(XX = length in inches of cable)

(Standard cables are 18 and 36 inches)

<b>Industrial Electronic Engineers, Inc.</b>  <b>Van Nuys, California</b>	SIZE A	CODE IDENT NO. <b>05464</b>	<b>S03858-06-0105</b>
	Scale: NONE	Rev C	Sheet 23

# 10.0 OUTLINE AND MOUNTING CHARACTERISTICS

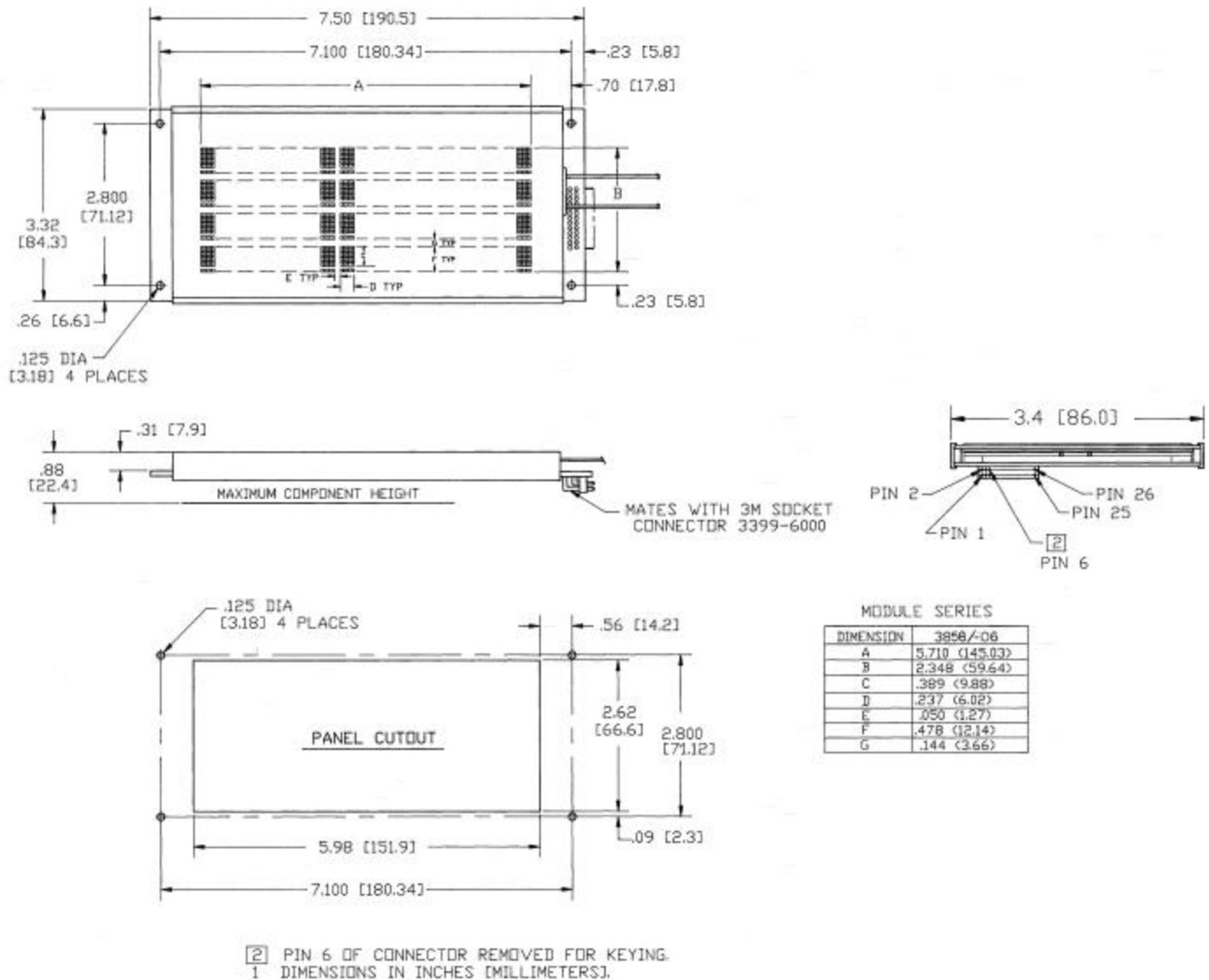


Figure 22 03858-06-0105 Outline Drawing

Industrial Electronic Engineers, Inc.  Van Nuys, California	SIZE A	CODE IDENT NO. 05464	S03858-06-0105
	Scale: NONE	Rev C	Sheet 24