

C2, C5 & C25

ELAPSED TIME INDICATORS

Industrial Timer Company
 30 Industrial Park Road
 Centerbrook, CT 06409
 800-394-7130
www.industrialtimercompany.com



C2 Series Meter



C5 Series Meter

DESCRIPTION

The C2 and C25 elapsed time indicators feature a five-digit readout with no reset capabilities, making them virtually tamper proof. Both are completely enclosed in a moisture and dust resistant housing designed for panel mounting. The C2 has a round bezel and the C25 has a square bezel.

The C5 offers a reset feature. Reset is accomplished through a reset wheel that protrudes through the dial. This unit also is enclosed in a moisture and dust resistant housing. It has a square bezel similar to the C25.

APPLICATION

The C2, C5 and C25 elapsed time indicators are heavy duty units designed for use in severe environments. They are used anywhere there is a need to accumulate running time on AC powered equipment. Typical applications include: manufacturing machinery, HVAC equipment, pumps and compressors.

OPERATION

There are no operator controls associated with the C2 and C25. When power is applied, time is accumulated on the digital readout.

The C5 accumulates time whenever power is applied; however, it can be reset to zero at any time by turning the reset wheel.

SPECIFICATIONS

Wiring	Screw terminals
Voltage	120V/60Hz standard. Consult factory for other voltages and frequencies.
Agency Approvals	CSA

STANDARD MODELS

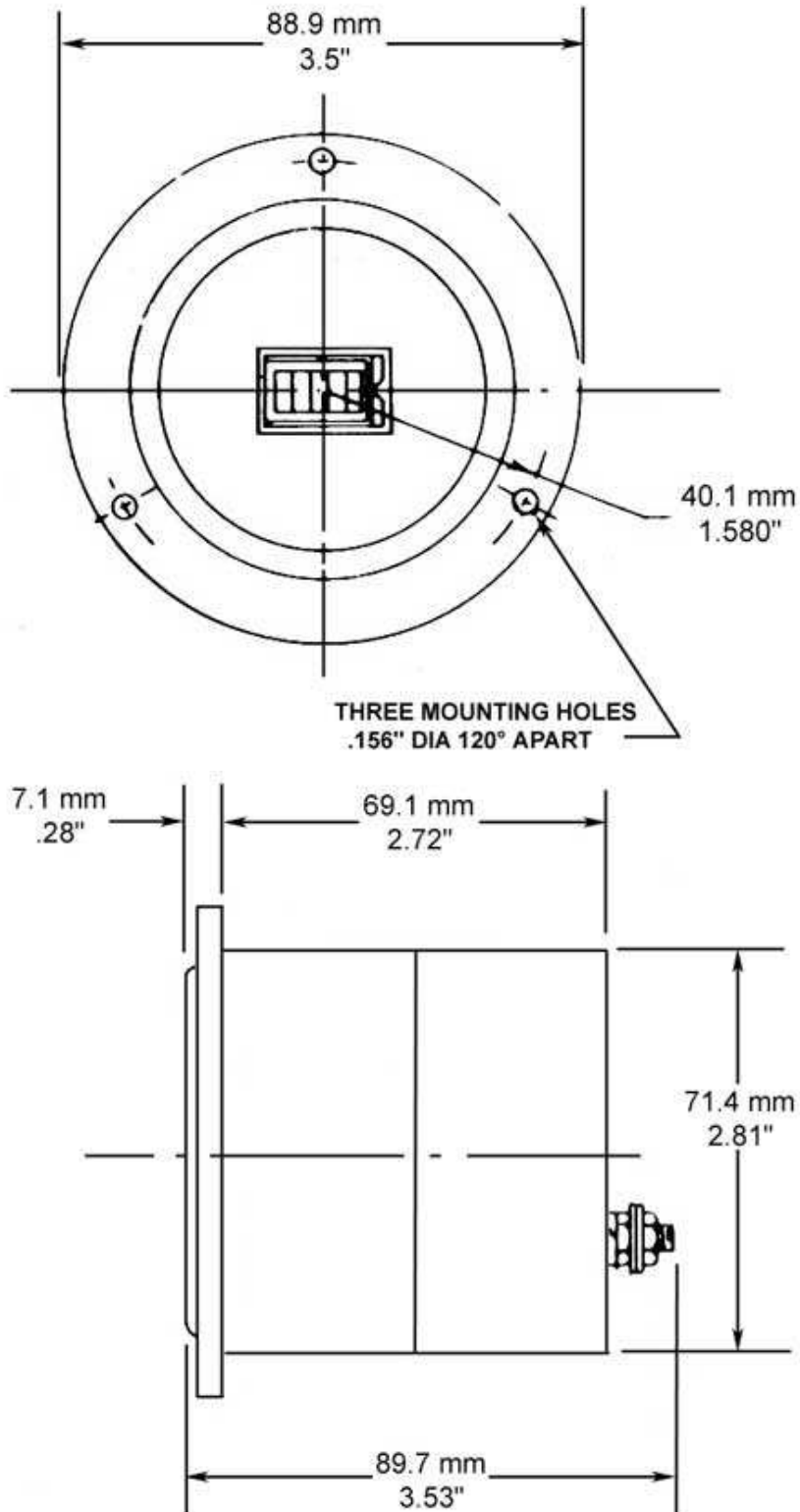
Model Number	Reading	Max Registration	
C-2	C-25	Hr. & tenths	10,000 hr.
C-2A	C-25A	Hr.	100,000 hr.
C-2D	C-25D	Min. & tenths	10,000 min.
C-2F	C-25F	Min.	100,000 min.
C-2G	C-25G	Sec. & tenths	10,000 sec.
C-2H	C-25H	Sec.	100,000 sec.
C-5		Hr. & tenths	10,000 hr.
C-5A		Hr.	100,000 hr.
C-5F		Min.	100,000 min.

C2, C5 & C25

ELAPSED TIME INDICATORS

Industrial Timer Company
30 Industrial Park Road
Centerbrook, CT 06409
800-394-7130
www.industrialtimercompany.com

C-2 DIMENSIONS

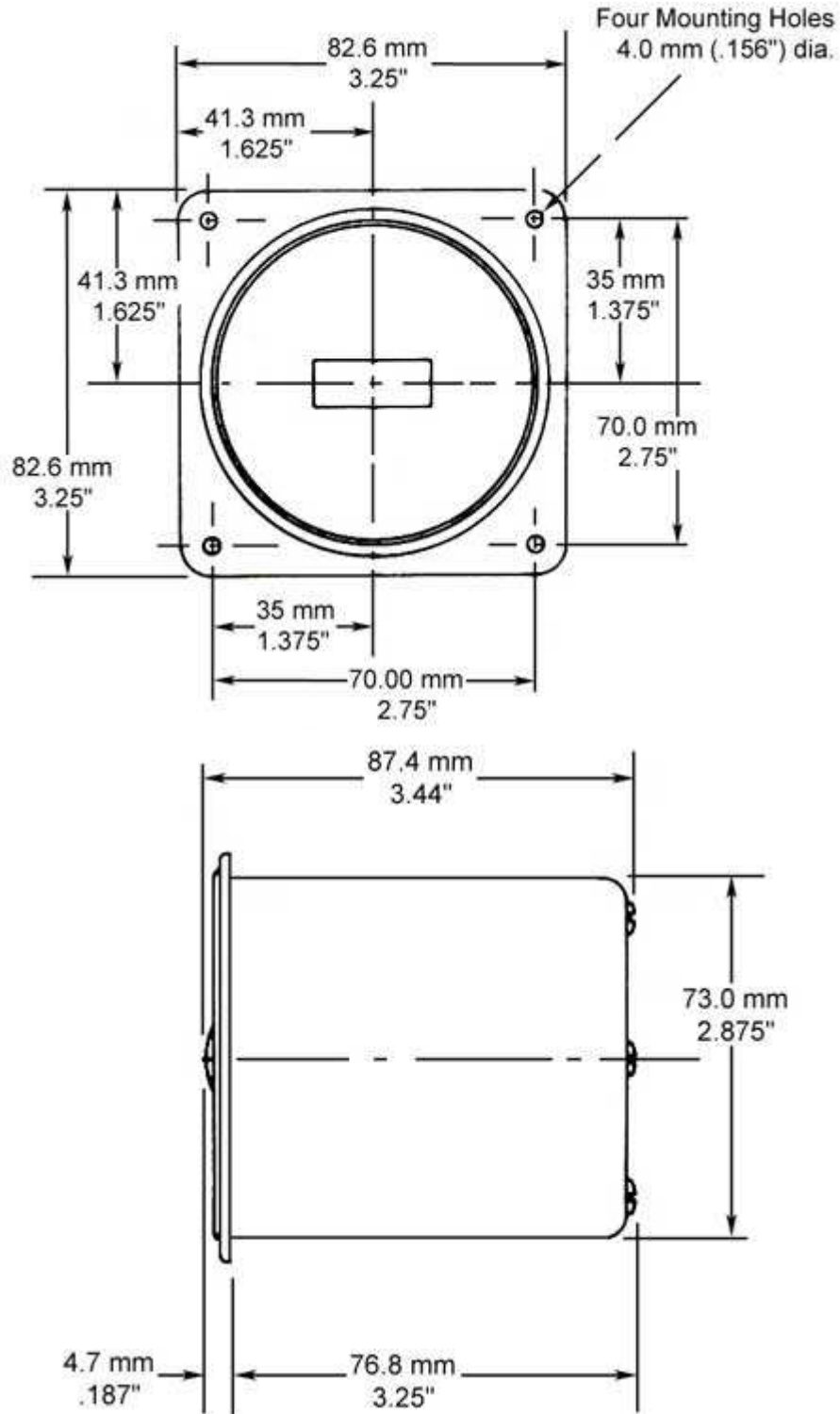


C2, C5 & C25

ELAPSED TIME INDICATORS

Industrial Timer Company
30 Industrial Park Road
Centerbrook, CT 06409
800-394-7130
www.industrialtimercompany.com

C-5, C-25 DIMENSIONS



C2, C5 & C25

ELAPSED TIME INDICATORS

Industrial Timer Company
30 Industrial Park Road
Centerbrook, CT 06409
800-394-7130
www.industrialtimercompany.com

C-2, C-5, C-25 WIRING

