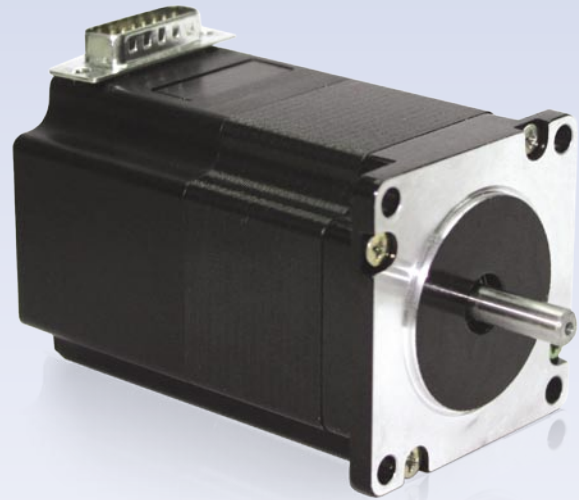


SILVERPAK 23C



■ FEATURES

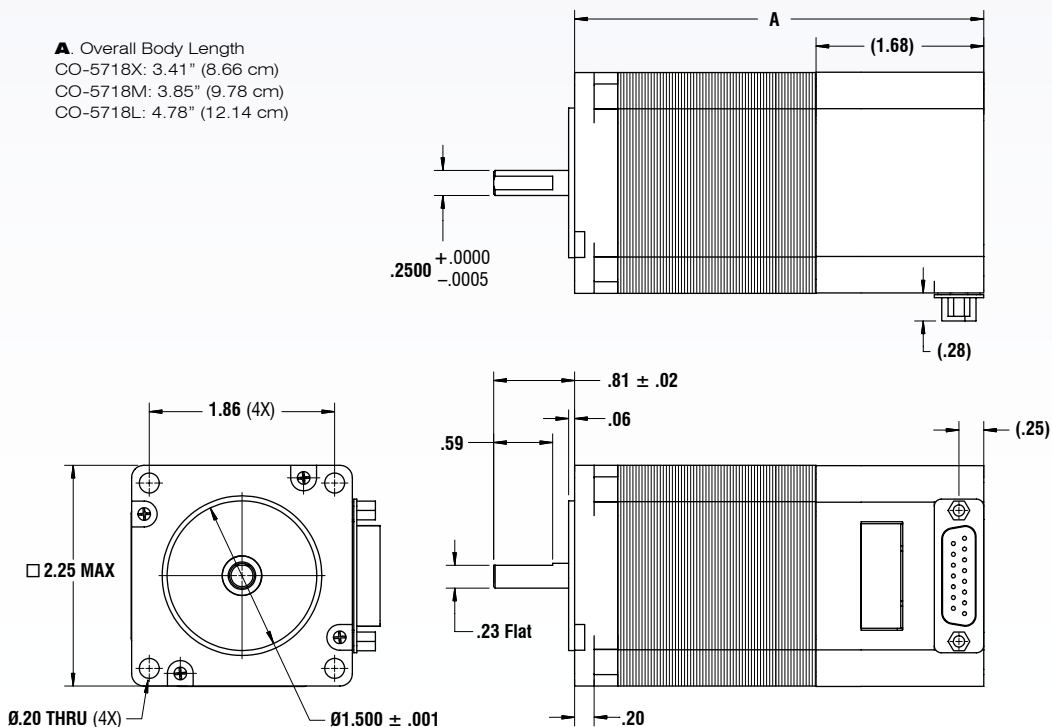
- NEMA 23, 1.8° Bipolar Step Motor
- Up to 294 oz-in of holding torque
- Input voltage of +12 to 40 VDC
- Phase current ranges from 0.3 to of 3.0 Amps Peak
- Microstepping capabilities of 2x, 4x, 8x, 16x, 32x, 64x, 128x, 256x
- RS485 communication with optional converter cards available
- 4 user configurable digital I/O's
- 2 dedicated inputs:
 - 1 optical sensor for homing
 - 1 switch closure to ground
- Fully programmable ramps and speeds
- Software selectable Hold and Move currents
- Stand Alone Operation with no connection to PC
- Stores up to 16 different programs at once with 4 kBytes of memory
- 3 stack lengths available

■ SPECIFICATIONS

- **INPUT VOLTAGE:**
+12 to 40 VDC
- **DRIVE CURRENT (PER PHASE):**
0.3 to 3.0 Amps Peak
- **ISOLATED INPUTS:**
4 I/O's, Switch Closure to Ground, Opto Phototransistor
- **STEP FREQUENCY (MAX):**
2.5 KHz
- **STEPS PER REVOLUTION (1.8° MOTOR):**
400, 800, 1600, 3200, 6400, 12800, 25600, 51200
- **MICROSTEP RESOLUTIONS (1.8° MOTOR):**
2x, 4x, 8x, 16x, 32x, 64x, 128x, 256x

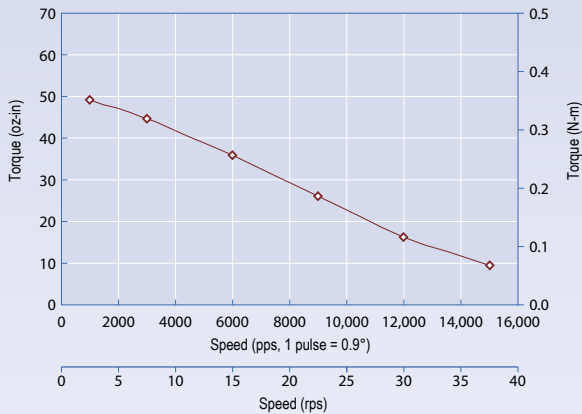
■ DIMENSIONS (inches)

A. Overall Body Length
CO-5718X: 3.41" (8.66 cm)
CO-5718M: 3.85" (9.78 cm)
CO-5718L: 4.78" (12.14 cm)

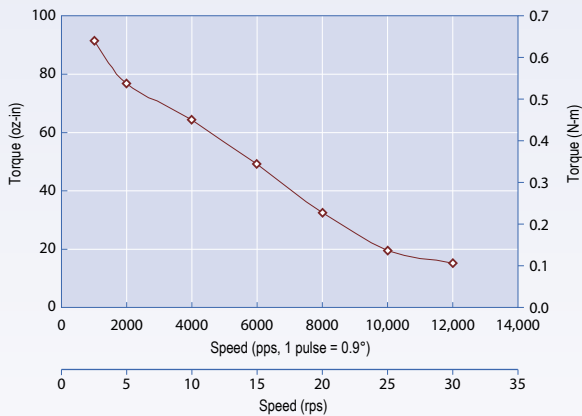


TORQUE CURVES

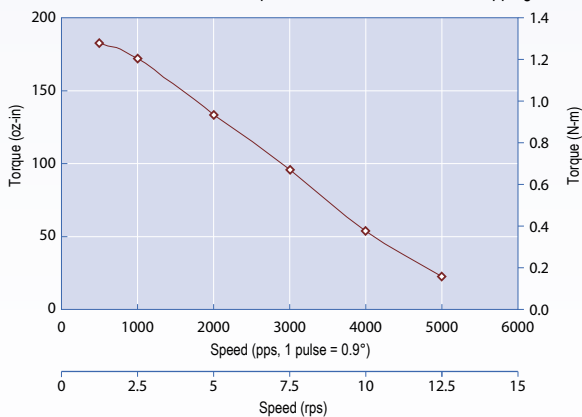
CO-5718X-01P 24vDC, 3 Amps Peak, SilverPak 23C, 1/2 Stepping



CO-5718M-02P 24vDC, 3 Amps Peak, SilverPak 23C, 1/2 Stepping



CO-5718L-01P 24vDC, 3 Amps Peak, SilverPak 23C, 1/2 Stepping



MOTOR SPECIFICATIONS

Model CO-5718X-01P

Holding Torque oz-in (N-m)	100.0 (0.71)
Rotor Inertia oz-in ² (kg-cm ²)	0.7 (0.13)
Weight (Motor + Driver) lbs (gm)	1.3 (0.59)

Model CO-5718M-02P

Holding Torque oz-in (N-m)	182.0 (1.29)
Rotor Inertia oz-in ² (kg-cm ²)	1.5 (0.27)
Weight (Motor + Driver) lbs (gm)	1.5 (0.68)

Model CO-5718L-01P

Holding Torque oz-in (N-m)	294.0 (2.08)
Rotor Inertia oz-in ² (kg-cm ²)	2.6 (0.47)
Weight (Motor + Driver) lbs (gm)	2.2 (1.00)

OPTIONAL ENCODER

Optional encoder available with **SilverPak 23CE**

Encoder features:

- Max 1,250 cycles per revolution (CPR)
- Max 5,000 pulses per revolution (PPR) (quadrature)
- 2 channel quadrature TTL squarewave outputs
- Optional index (3rd channel)
- Position correction capabilities

DESIGNERS KIT

- Optical Sensor
- RS232 to RS485 Converter Card
- Switch push button
- CD-ROM with User Manual
- DB-15 Female Connector Cable

