

Stacked Coin Type

Series: EL

- Feature Endurance : 70°C 1000 h
Same shape as coin type battery
Flexible mounting available

Country of Origin

Japan

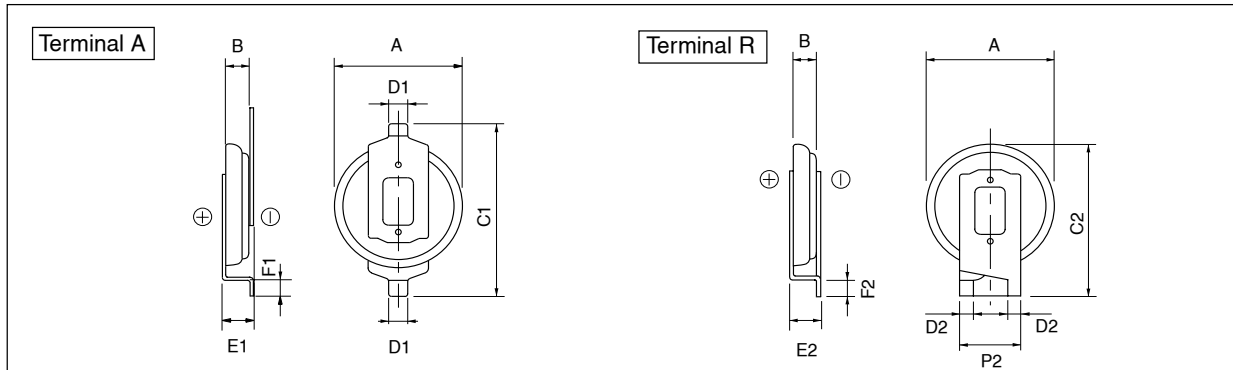


- Recommended Applications
Memory cards(power supply to hold memory)
portable CD players, pagers, cameras
solar-powered-calculators, solar-powered-watches

Specifications

Category temp. range	-25 to +70°C	
Maximum Operating Voltage	2.5 V .DC	
Nominal Cap. Range	0.47 to 2.0 F	
Characteristics at Low Temperature	Capacitance change	±30% of initial measured value at +20°C (-25 to +70°C)
	Internal resistance	≤ 5 times of initial measured value at +20°C (at -25°C)
Endurance	After 1000 hours application of 2.5V. DC at +70°C, the capacitor shall meet the following limits.	
	Capacitance change	±30% of initial measured value
	Internal resistance	≤ 4 times of initial specified value
Shelf Life	After 1000 hours storage at +70°C without load, the capacitor shall meet the specified limits for Endurance.	
Moisture Resistance	After 500 hours storage at +55°C, 90 to 95% R.H., the capacitor shall meet the specified limits for Endurance.	

Dimensions in mm (not to scale)



Terminal A

Part number	A _{-0.3} ⁰	B _{-0.2} ⁰	C _{±0.5}	D _{±0.1}	E _{1 max.}	F _{±0.2}
EECE0EL474SA	9.5	2.1	15.5	2.0	2.9	2.0
EECE0EL205A	18.5	2.2	24.5	2.0	3.0	2.0

Terminal R

Part number	A _{-0.3} ⁰	B _{-0.2} ⁰	C _{2 max}	D _{2±0.1}	E _{2 max.}	F _{2±0.2}	P _{2±0.5}
EECE0EL474SR	9.5	2.1	13.5	1.5	2.9	2.0	4.5
EECE0EL205R	18.5	2.2	22.5	1.5	3.0	2.0	5.5

Standard Products

Maximum Operating Voltage (V.DC)	Capacitance (F)	Capacitance range (F)	Internal resistance (Ω) at 1kHz	Part number	Bulk	
					Min. Packaging QTY (PCS)	Quantity Per outer Packaging (PCS)
2.5	0.47	0.376 to 0.846	≤ 40	EECE0EL474S()	200	5000
	2.0	1.60 to 3.60	≤ 15	EECE0EL205()	100	1000

Please use the letter A or R between the ().

Note: Do not use reflow soldering. (IR, Atmosphere heating methods, etc.)

Design, and specifications are each subject to change without notice. Ask factory for the current technical specifications before purchase and / or use. Should a safety concern arise regarding this product, please be sure to contact us immediately. July,2005