

DS26LS31MQML

Quad High Speed Differential Line Driver

General Description

The DS26LS31MQML is a quad differential line driver designed for digital data transmission over balanced lines. The DS26LS31MQML meets all the requirements of EIA Standard RS-422 and Federal Standard 1020. It is designed to provide unipolar differential drive to twisted-pair or parallel-wire transmission lines.

The circuit provides an enable and disable function common to all four drivers. The DS26LS31MQML features TRI-STATE[®] outputs and logically ANDed complementary outputs. The inputs are all LS compatible and are all one unit load.

The DS26LS31 features a power up/down protection circuit which keeps the output in a high impedance state (TRI-STATE) during power up or down preventing erroneous glitches on the transmission lines.

Features

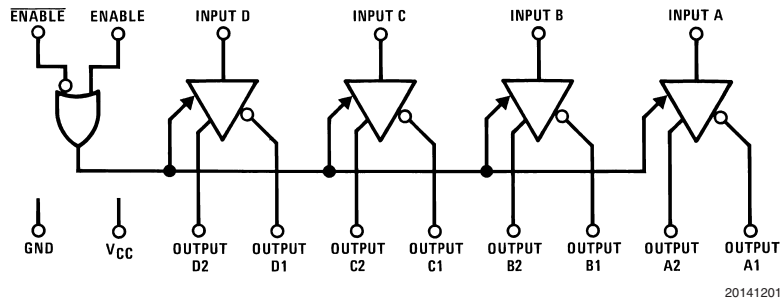
- Operation from single 5V supply
- Outputs won't load line when $V_{CC} = 0V$
- Four line drivers in one package for maximum package density
- Output short-circuit protection
- Complementary outputs
- Meets the requirements of EIA Standard RS-422
- Pin compatible with AM26LS31
- Glitch free power up/down

Ordering Information

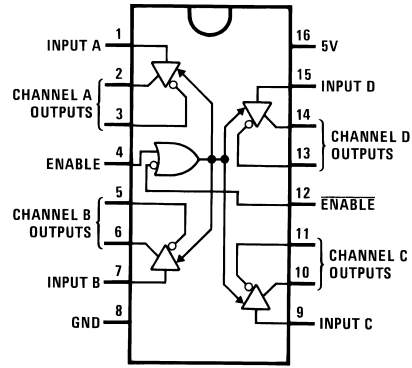
NS PART NUMBER	SMD PART NUMBER	NS PACKAGE NUMBER	PACKAGE DISCRIPTION
DS26LS31MEFQML	5962F7802301Q2A 300k rd(Si)	E20A	20LD Ceramic Leadless Chip Carrier
DS26LS31ME-SMD	5962-7802301Q2A	E20A	20LD Ceramic Leadless Chip Carrier
DS26LS31MJFQML	5962F7802301MEA 300k rd(Si)	J16A	16LD Ceramic Dual-In-Line
DS26LS31MJ-SMD	5962-7802301MEA	J16A	16LD Ceramic Dual-In-Line
DS26LS31MJFQMLV	5962F7802301VEA 300k rd(Si)	J16A	16LD Ceramic Dual-In-Line
DS26LS31MJ-QMLV	5962-7802301VEA	J16A	16LD Ceramic Dual-In-Line
DS26LS31MWFQML	5962F7802301MFA 300k rd(Si)	W16A	16LD Ceramic Flatpak
DS26LS31MW-SMD	5962-7802301MFA	W16A	16LD Ceramic Flatpak
DS26LS31MWFQMLV	5962F7802301VFA 300k rd(Si)	W16A	16LD Ceramic Flatpak
DS26LS31MW-QMLV	5962-7802301VFA	W16A	16LD Ceramic Flatpak
DS26LS31MJ/883		J16A	16LD Ceramic Dual-in-line
DS26LS31MW/883		W16A	16LD Ceramic Flatpak

TRI-STATE[®] is a registered trademark of National Semiconductor Corporation.

Logic and Connection Diagrams



Dual-In-Line Package



Top View
See NS Package E20A, J16A or W16A

Absolute Maximum Ratings (Note 1)

Supply Voltage	7V
Input Voltage	7V
Output Voltage	5.5V
Output Voltage (Power OFF)	-0.25 to 6V
Maximum Power Dissipation at 25°C (Note 2)	
J Package	1400 mW
LCC Package	1600 mW
W Package	850 mW
Junction Temperature (T_J)	+150°C
Thermal Resistance, Junction-to-Ambient θ_{JA}	
J Package	94°C/W derate above +25°C at 10.6 mW/°C
LCC Package	83°C/W derate above +25°C at 12 mW/°C
W Package	163°C/W derate above +25°C at 6.1 mW/°C
Thermal Resistance, Junction-to-Case θ_{JC}	
J Package	16°C/W
LCC Package	19°C/W
W Package	14°C/W
ESD Tolerance	2500V

Recommended Operating Conditions

Supply Voltage, V_{CC}	4.5 V to 5.5 V
Temperature, T_A	-55°C to +125°C

Radiation Features

DS26LS31MEFQML	300 Krads (Si)
DS26LS31MJFQML	300 Krads (Si)
DS26LS31MJFQMLV	300 Krads (Si)
DS26LS31MWFQML	300 Krads (Si)
DS26LS31MWFQMLV	300 Krads (Si)

Quality Conformance Inspection

MIL-STD-883, Method 5005 - Group A

Subgroup	Description	Temp (°C)
1	Static tests at	+25
2	Static tests at	+125
3	Static tests at	-55
4	Dynamic tests at	+25
5	Dynamic tests at	+125
6	Dynamic tests at	-55
7	Functional tests at	+25
8A	Functional tests at	+125
8B	Functional tests at	-55
9	Switching tests at	+25
10	Switching tests at	+125
11	Switching tests at	-55

DS26LS31M - SMD, QMLV & RH Electrical Characteristics

DC Parameters

The following conditions apply, unless otherwise specified. +V = 5V, $V_{CM} = 0V$. (Note 5)

Symbol	Parameters	Conditions	Notes	Min	Max	Units	Sub-groups
V_{IH}	Logical "1" Input Voltage	$V_{CC} = 4.5V$	(Notes 3, 4)	2		V	1, 2, 3
V_{IL}	Logical "0" Input Voltage	$V_{CC} = 5.5V$	(Notes 3, 4)		.8	V	1, 2, 3
V_{OH}	Logical "1" Output Voltage	$V_{CC} = 4.5V, I_{OH} = -20mA$	(Note 4)	2.5		V	1, 2, 3
V_{OL}	Logical "0" Output Voltage	$V_{CC} = 4.5V, I_{OL} = 20mA$	(Note 4)		.5	V	1, 2, 3
I_{IH}	Logical "1" Input Current	$V_{CC} = 5.5V, V_{IN} = 2.7V$	(Note 4)	-2.0	20	μA	1, 2, 3
I_{IL}	Logical "0" Input Current	$V_{CC} = 5.5V, V_{IN} = .4V$	(Note 4)	100	-360	μA	1, 2, 3
I_I	Input Reverse Current	$V_{CC} = 5.5V, V_{IN} = 7V$	(Note 4)	-.01	.1	mA	1, 2, 3
I_O	TRI-STATE Output Current	$V_{CC} = 5.5V, V_O = .5V$	(Note 4)		-20	μA	1, 2, 3
		$V_{CC} = 5.5V, V_O = 2.5V$	(Note 4)		20	μA	1, 2, 3
V_{IC}	Input Clamp Voltage	$V_{CC} = 4.5V, I_{IN} = -18mA$	(Note 4)		-1.5	V	1, 2, 3
I_{OS}	Output Short Circuit Current	$V_{CC} = 5.5V$	(Note 4)	-30	-150	mA	1, 2, 3
I_{CC}	Power Supply Current	$V_{CC} = 5.5V$, All Outputs Disabled or Active	(Note 4)		80	mA	1, 2, 3

AC Parameters - Propagation Delay Time

The following conditions apply, unless otherwise specified. $V_{CC} = 5V, V_{IN} = 1.3V$ to $V_O = 1.3V, V$ (pulse) = 0 to 3V. (Note 5)

Symbol	Parameters	Conditions	Notes	Min	Max	Unit	Sub-groups
t_{PLH}	Input to Output	$C_L = 30 pF$	(Note 4)		20	nS	9
					30	nS	10, 11
t_{PHL}	Input to Output	$C_L = 30 pF$	(Note 4)		20	nS	9
					30	nS	10, 11
t_{Skew}	Output to Output	$C_L = 30 pF$	(Note 4)		6	nS	9
					9	nS	10, 11

DS26LS31M - SMD, QMLV & RH Electrical Characteristics (Continued)**AC Parameters - Propagation Delay Time** (Continued)

The following conditions apply, unless otherwise specified. $V_{CC} = 5V$, $V_{IN} = 1.3V$ to $V_O = 1.3V$, V (pulse) = 0 to 3V. (Note 5)

Symbol	Parameters	Conditions	Notes	Min	Max	Unit	Sub-groups
t_{PLZ}	Enable to Output	S2 Open, Enable, $C_L = 10$ pF	(Note 4)		35	nS	9
					53	nS	10, 11
		S2 Open, $\overline{\text{Enable}}$, $C_L = 10$ pF	(Note 4)		35	nS	9
					53	nS	10, 11
t_{PHZ}	Enable to Output	S1 Open, Enable, $C_L = 10$ pF	(Note 4)		30	nS	9
					45	nS	10, 11
		S1 Open, $\overline{\text{Enable}}$, $C_L = 10$ pF	(Note 4)		30	nS	9
					45	nS	10, 11
t_{PZL}	Enable to Output	S2 Open, Enable, $C_L = 30$ pF	(Note 4)		45	nS	9
					68	nS	10, 11
		S2 Open, $\overline{\text{Enable}}$, $C_L = 30$ pF	(Note 4)		45	nS	9
					68	nS	10, 11
t_{PZH}	Enable to Output	S1 Open, Enable, $C_L = 30$ pF	(Note 4)		40	nS	9
					60	nS	10, 11
		S1 Open, $\overline{\text{Enable}}$, $C_L = 30$ pF	(Note 4)		40	nS	9
					60	nS	10, 11

DC Parameters - Drift Values

The following conditions apply, unless otherwise specified. Delta calculations performed on QMLV only devices after burn-in and at Group B5.

Symbol	Parameters	Conditions	Notes	Min	Max	Units	Sub-groups
V_{OL}	Output Low Voltage	$V_{CC} = 4.5$, $I_{OL} = 20$ mA	(Note 4)	-50	50	mV	1
V_{OH}	Output High Voltage	$V_{CC} = 4.5$, $I_{OH} = -20$ mA	(Note 4)	-250	250	mV	1
I_{CC}	Power Supply Current	$V_{CC} = 5.5$, All outputs disabled or active	(Note 4)	-8	8	mA	1

DS26LS31M - 883 Electrical Characteristics

DC Parameters

Symbol	Parameters	Conditions	Notes	Min	Max	Unit	Sub-groups
V_{IH}	Logical "1" Input Voltage		(Notes 3, 4)	2		V	1, 2, 3
V_{IL}	Logical "0" Input Voltage		(Notes 3, 4)		.8	V	1, 2, 3
V_{OH}	Logical "1" Output Voltage	$V_{CC} = 4.5V, I_{OH} = -20mA$	(Note 4)	2.5		V	1, 2, 3
V_{OL}	Logical "0" Output Voltage	$V_{CC} = 4.5V, I_{OL} = 20mA$	(Note 4)		.5	V	1, 2, 3
I_{IH}	Logical "1" Input Current	$V_{CC} = 5.5V, V_{IN} = 2.7V$	(Note 4)		20	μA	1, 2, 3
I_{IL}	Logical "0" Input Current	$V_{CC} = 5.5V, V_{IN} = .4V$	(Note 4)		-200	μA	1, 2, 3
I_I	Input Reverse Current	$V_{CC} = 5.5V, V_{IN} = 7V$	(Note 4)		.1	mA	1, 2, 3
I_O	TRI-STATE Output Current	$V_{CC} = 5.5V, V_O = .5V$	(Note 4)		-20	μA	1, 2, 3
		$V_{CC} = 5.5V, V_O = 2.5V$	(Note 4)		20	μA	1, 2, 3
V_{IC}	Input Clamp Voltage	$V_{CC} = 4.5V, I_{IN} = -18mA$	(Note 4)		-1.5	V	1, 2, 3
$I_{OS} (min)$	Output Short Circuit Current	$V_{CC} = 5.5V$	(Note 4)	-30		mA	1, 2, 3
$I_{OS} (max)$	Output Short Circuit Current	$V_{CC} = 5.5V$	(Note 4)		-150	mA	1, 2, 3
I_{CC}	Power Supply Current	$V_{CC} = 5.5V, All Outputs Disabled or Active$	(Note 4)		60	mA	1, 2, 3

AC Parameters - Propagation Delay Time

The following conditions apply, unless otherwise specified. $V_{CC} = 5V, C_L = 50pF$ or equivalent impedance provided by diode load.

Symbol	Parameters	Conditions	Notes	Min	Max	Unit	Sub-groups
t_{PLH}	Input to Output		(Notes 4, 6)		15	nS	9
					30	nS	10, 11.
t_{PHL}	Input to Output		(Notes 4, 6)		15	nS	9
					30	nS	10, 11.
t_{Skew}	Output to Output		(Notes 4, 6)		6	nS	9
					9	nS	10, 11.
t_{PLZ}	Enable to Output	S2 Open, Enable	(Notes 4, 6)		35	nS	9
		S2 Open, /Enable			53	nS	10, 11.
t_{PHZ}	Enable to Output	S1 Open, Enable	(Notes 4, 6)		35	nS	9
		S1 Open, /Enable			53	nS	10, 11.
t_{PZH}	Enable to Output	S1 Open, Enable	(Notes 4, 6)		25	nS	9
		S1 Open, /Enable			45	nS	10, 11.
t_{PZL}	Enable to Output	S2 Open, Enable	(Notes 4, 6)		25	nS	9
		S2 Open, /Enable			45	nS	10, 11.
t_{PZL}	Enable to Output	S2 Open, Enable	(Notes 4, 6)		30	nS	9
		S2 Open, /Enable			68	nS	10, 11.
t_{PZH}	Enable to Output	S1 Open, Enable	(Notes 4, 6)		30	nS	9
		S1 Open, /Enable			60	nS	10, 11.
t_{PZH}	Enable to Output	S1 Open, Enable	(Notes 4, 6)		30	nS	9
		S1 Open, /Enable			60	nS	10, 11.

Note 1: "Absolute Maximum Ratings" are those values beyond which the safety of the device cannot be guaranteed. They are not meant to imply that the devices should be operated at these limits. The tables of "Electrical Characteristics" provide conditions for actual device operation.

Note 2: Derate CDip = 11.5 mW/°C, CLCC = 13mW/°C, Cerpack = 7.4mW/°C above 25°C.

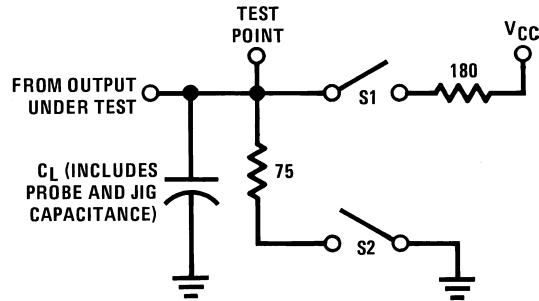
Note 3: Parameter tested go-no-go only.

Note 4: Subgroups 1, 2 and 9, 10: Power dissipation must be externally controlled at elevated temperatures.

Note 5: Pre and post irradiation limits are identical to those listed under AC and DC electrical characteristics. These parts may be dose rate sensitive in a space environment and demonstrate enhanced low dose rate effect. Radiation end point limits for the noted parameters are guaranteed only for the conditions as specified in MIL-STD 883, Method 1019, Condition A.

Note 6: Subgroup 10 and 11 guaranteed but not tested.

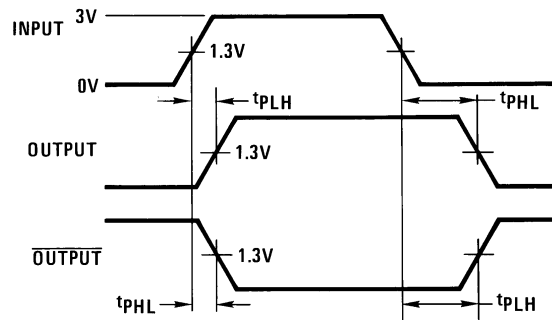
AC Test Circuit and Switching Time Waveforms



20141203

S1 and S2 of load circuit are closed except where shown.

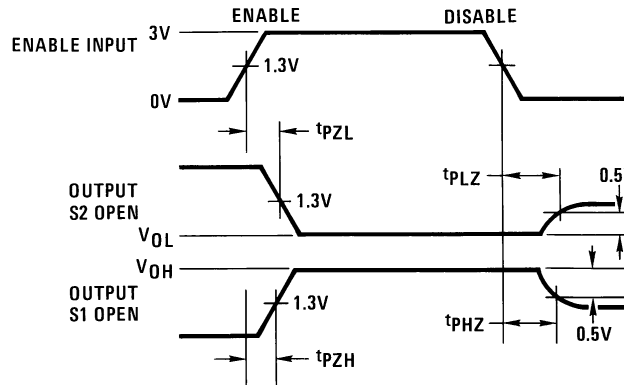
FIGURE 1. AC Test Circuit



20141204

f = 1 MHz, $t_r \leq 15$ ns, $t_f \leq 6$ ns

FIGURE 2. Propagation Delays



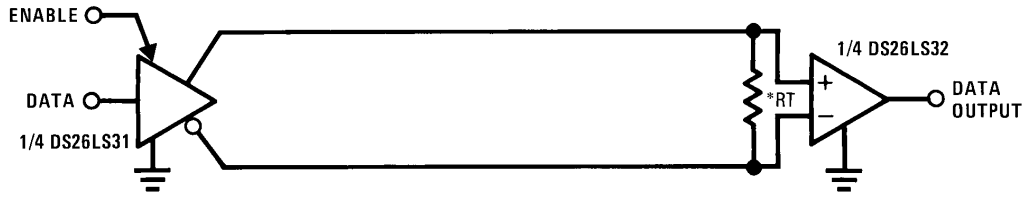
20141205

f = 1 MHz, $t_r \leq 15$ ns, $t_f \leq 6$ ns

FIGURE 3. Enable and Disable Times

Typical Applications

Two-Wire Balanced System, RS-422

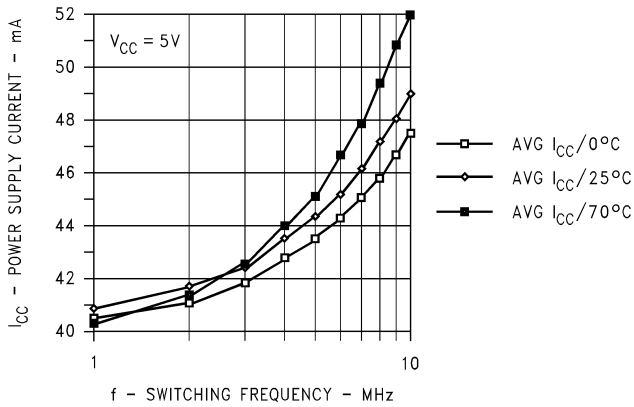


Note 7: R_T is optional although highly recommended to reduce reflection.

20141206

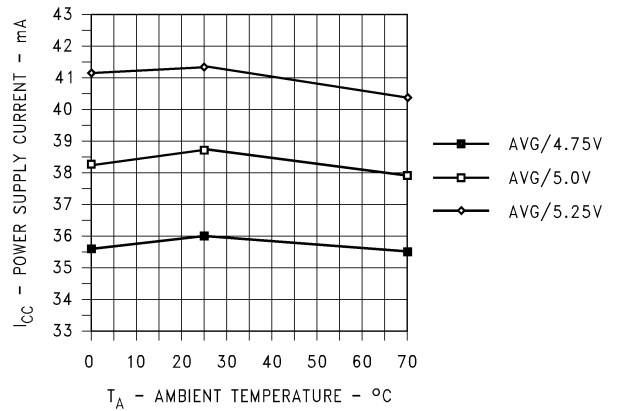
Typical Performance Characteristics

DS26LS31MQMLCN Unloaded I_{CC} vs Frequency vs T_A



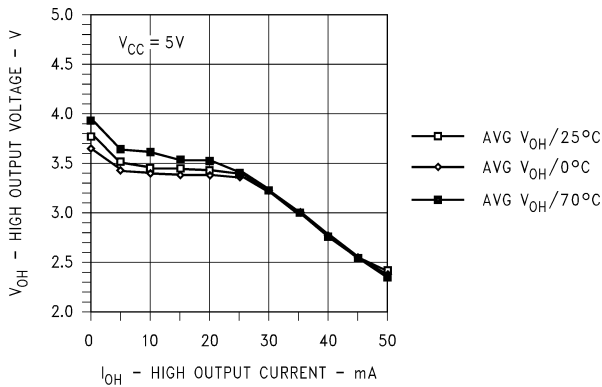
20141207

DS26LS31MQML I_{CC} vs V_{CC} vs T_A



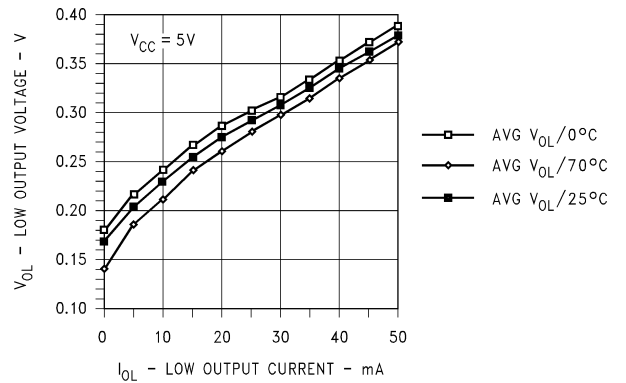
20141208

DS26LS31MQMLCN V_{OH} vs I_{OH} vs T_A



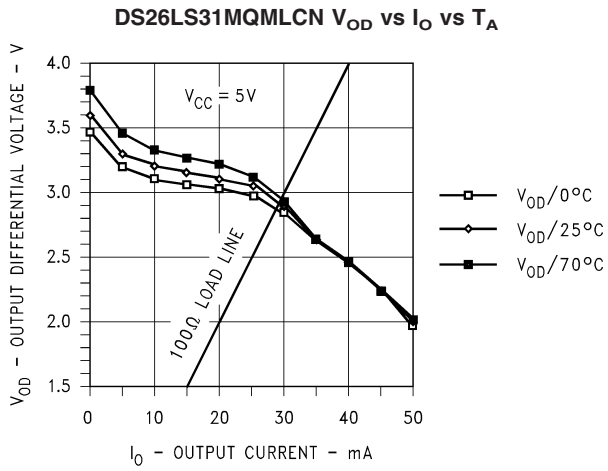
20141209

DS26LS31MQMLCN V_{OL} vs I_{OL} vs T_A



20141210

Typical Performance Characteristics (Continued)

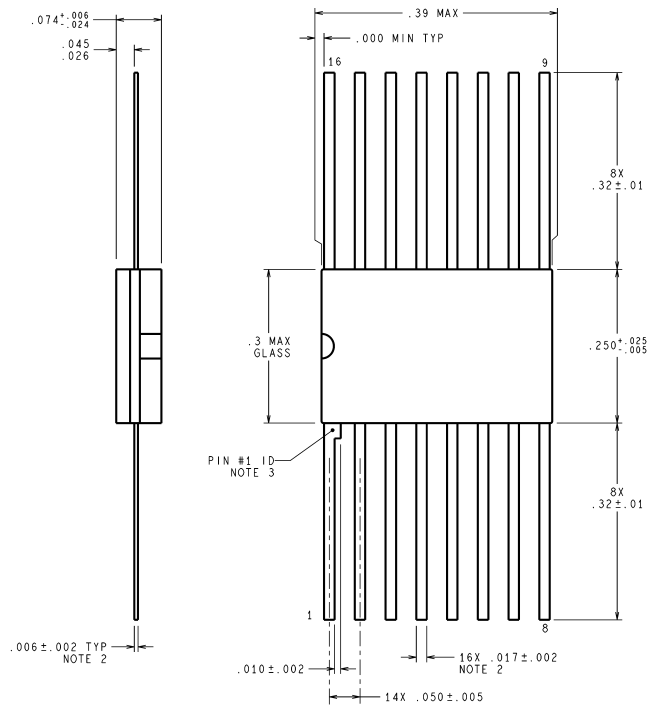


20141211

Revision History Section

Date Released	Revision	Section	Originator	Changes
08/04/05	A	New Release, Corporate format	R. Malone	2 MDS data sheets converted into a Corp. data sheet format. Following MDS data sheets will be Archived MDDS26LS31M-X-RH, Rev.2A0, MNDS26LS31M-X, Rev. 0A0
03/01/06	B	Ordering Info. Table, Absolute Ratings, Maximum Operating Conditions, New Radiation Section. Typo's in QMLV & RH, 883 AC Electrical Characteristics Parameters Column	R. Malone	Added: Junction temp., Thermal Resistance θ_{JA} and θ_{JC} . Added a Radiation Section. Changed: Maximum Operating Conditions to Recommended Operating Conditions, Enable and Disable Time to Enable to Output. Revision A will be archived.

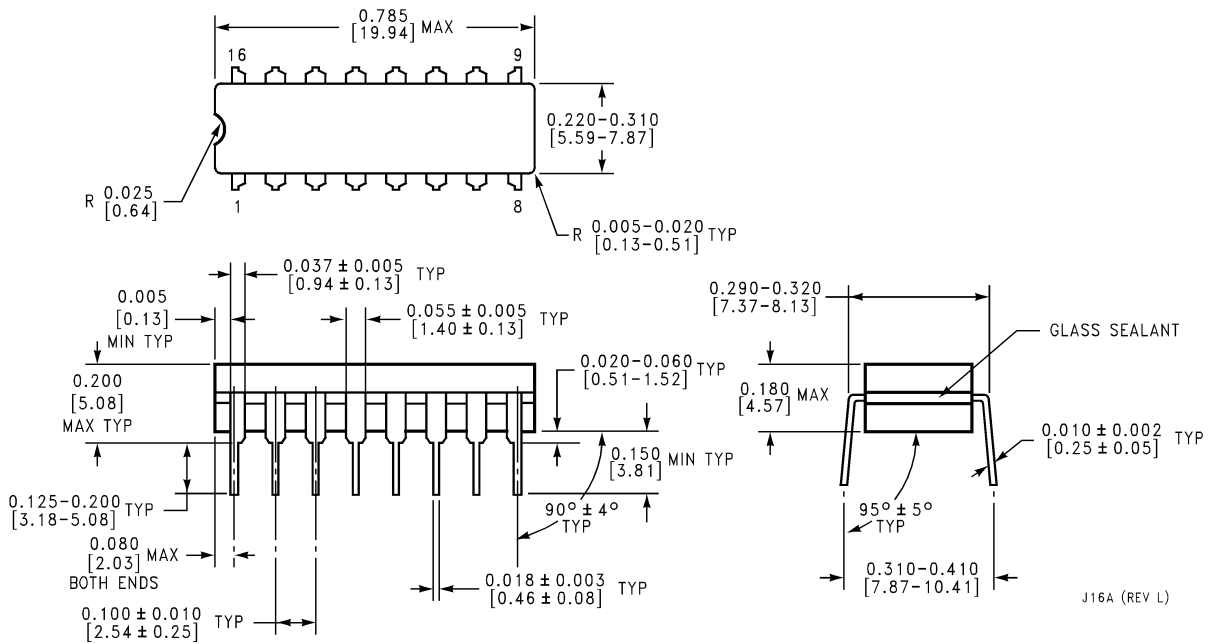
Physical Dimensions inches (millimeters) unless otherwise noted



DIMENSIONS ARE IN INCHES

W16A (Rev T)

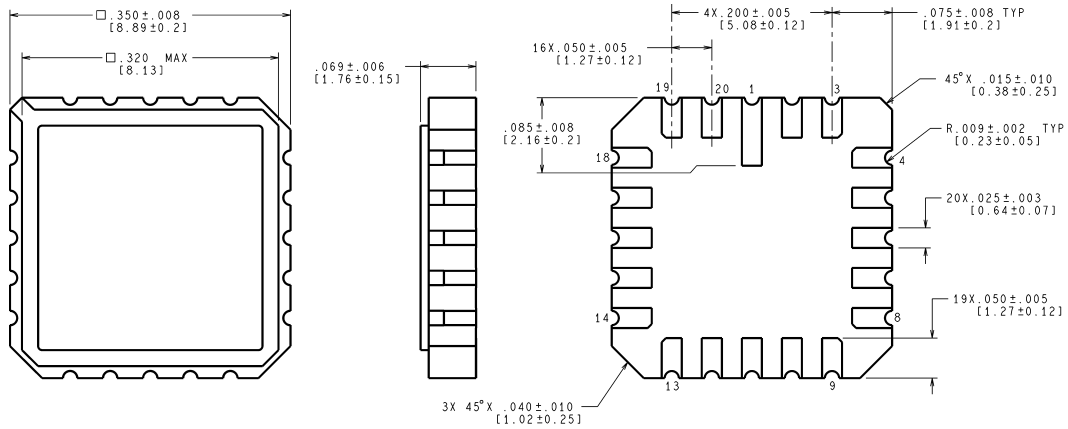
**16 Lead Ceramic Flatpak (W)
NS Package Number W16A**



J16A (REV L)

**16 Lead Ceramic Dual-in-Line Package (J)
NS Package Number J16A**

Physical Dimensions inches (millimeters) unless otherwise noted (Continued)



CONTROLLING DIMENSION IS INCH
VALUES IN [] ARE MILLIMETERS

E20A (Rev F)

**20 Lead Ceramic Leadless Chip Carrier (E)
NS Package Number E20A**

National does not assume any responsibility for use of any circuitry described, no circuit patent licenses are implied and National reserves the right at any time without notice to change said circuitry and specifications.

For the most current product information visit us at www.national.com.

LIFE SUPPORT POLICY

NATIONAL'S PRODUCTS ARE NOT AUTHORIZED FOR USE AS CRITICAL COMPONENTS IN LIFE SUPPORT DEVICES OR SYSTEMS WITHOUT THE EXPRESS WRITTEN APPROVAL OF THE PRESIDENT AND GENERAL COUNSEL OF NATIONAL SEMICONDUCTOR CORPORATION. As used herein:

1. Life support devices or systems are devices or systems which, (a) are intended for surgical implant into the body, or (b) support or sustain life, and whose failure to perform when properly used in accordance with instructions for use provided in the labeling, can be reasonably expected to result in a significant injury to the user.
2. A critical component is any component of a life support device or system whose failure to perform can be reasonably expected to cause the failure of the life support device or system, or to affect its safety or effectiveness.

BANNED SUBSTANCE COMPLIANCE

National Semiconductor manufactures products and uses packing materials that meet the provisions of the Customer Products Stewardship Specification (CSP-9-111C2) and the Banned Substances and Materials of Interest Specification (CSP-9-111S2) and contain no "Banned Substances" as defined in CSP-9-111S2.

Leadfree products are RoHS compliant.



National Semiconductor
Americas Customer
Support Center
Email: new.feedback@nsc.com
Tel: 1-800-272-9959

National Semiconductor
Europe Customer Support Center
Fax: +49 (0) 180-530 85 86
Email: europe.support@nsc.com
Deutsch Tel: +49 (0) 69 9508 6208
English Tel: +44 (0) 870 24 0 2171
Français Tel: +33 (0) 1 41 91 8790

National Semiconductor
Asia Pacific Customer
Support Center
Email: ap.support@nsc.com

National Semiconductor
Japan Customer Support Center
Fax: 81-3-5639-7507
Email: jpn.feedback@nsc.com
Tel: 81-3-5639-7560

www.national.com