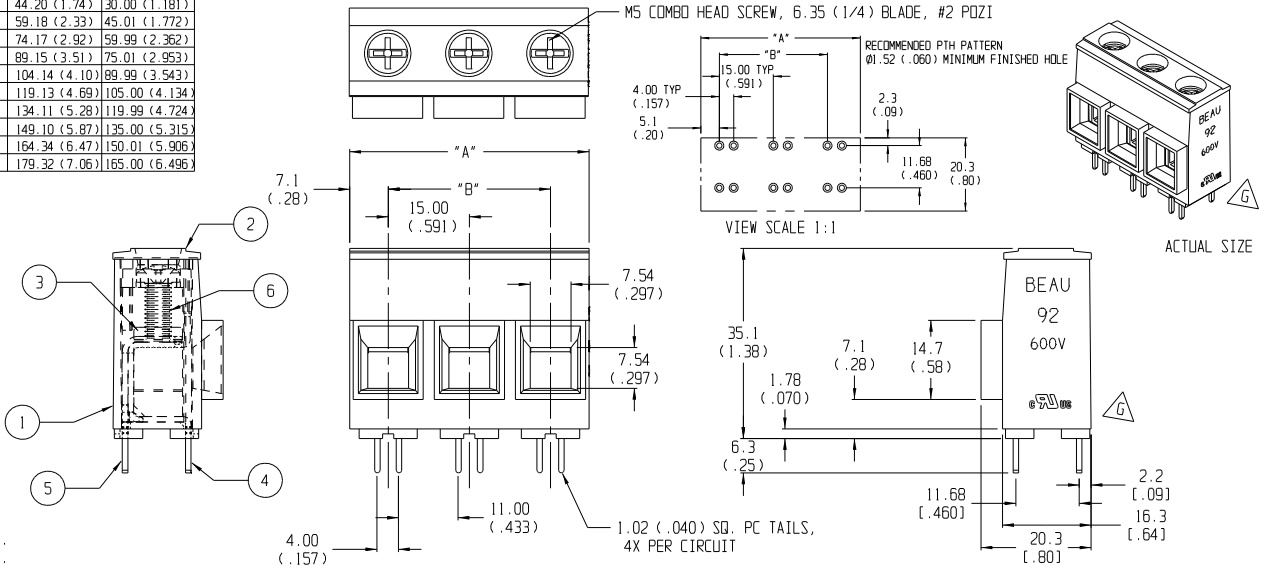


MATERIAL NO.	NUMBER OF CIRCUITS "XX"	DIM. "A" ±.13 (.010)	DIM. "B"
39920-0102	02	29.21 (1.15)	15.01 (.591)
39920-0103	03	44.20 (1.74)	30.00 (1.181)
39920-0104	04	59.18 (2.33)	45.01 (1.772)
39920-0105	05	74.17 (2.92)	59.99 (2.362)
39920-0106	06	89.15 (3.51)	75.01 (2.953)
39920-0107	07	104.14 (4.10)	89.99 (3.543)
39920-0108	08	119.13 (4.69)	105.00 (4.134)
39920-0109	09	134.11 (5.28)	119.99 (4.724)
39920-0110	10	149.10 (5.87)	135.00 (5.315)
39920-0111	11	164.34 (6.47)	150.01 (5.906)
39920-0112	12	179.32 (7.06)	165.00 (6.496)



PROJECT NO. E-537	SHT	REV
DIMENSIONS:		
<input checked="" type="checkbox"/> INCH	<input type="checkbox"/> INCH	<input type="checkbox"/> MM ONLY
REVISION ON CAD ONLY		

MOLEX INCORPORATED

MATERIAL NO. SEE CHART
DRAWING NO. SD-39920-005
SHEET NO. 1 OF 1