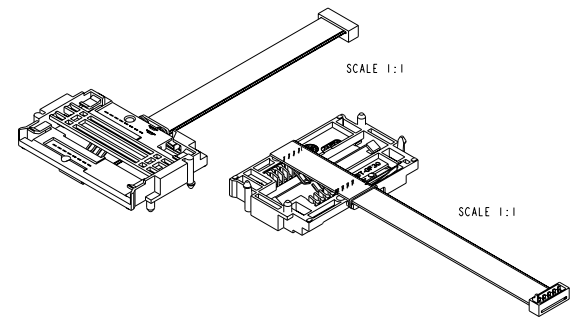


REV	DATE	BY	CHKD	DESCRIPTION
A	30NOV2004	RC	PJ	EH10-0478-04
B	12 NOV 2009	GG	PCH	ECR-09-024818
B1	08 MAR 2011	GG	PKS	ECR-11-004915



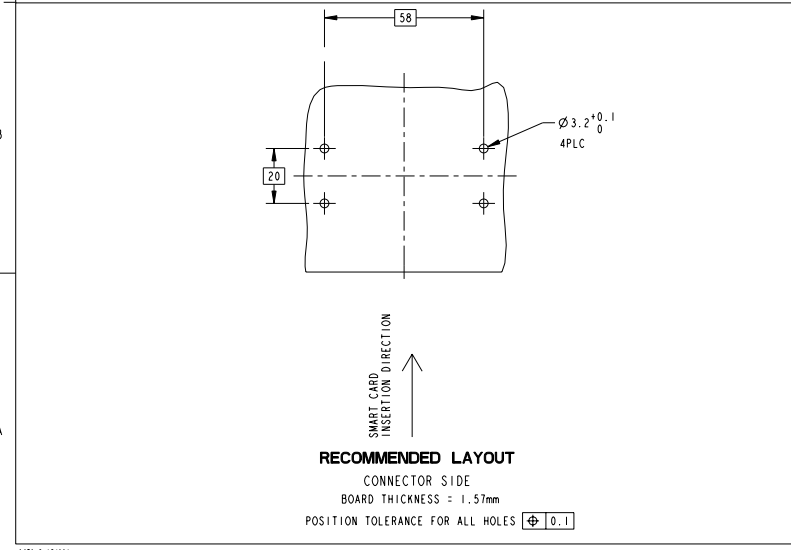
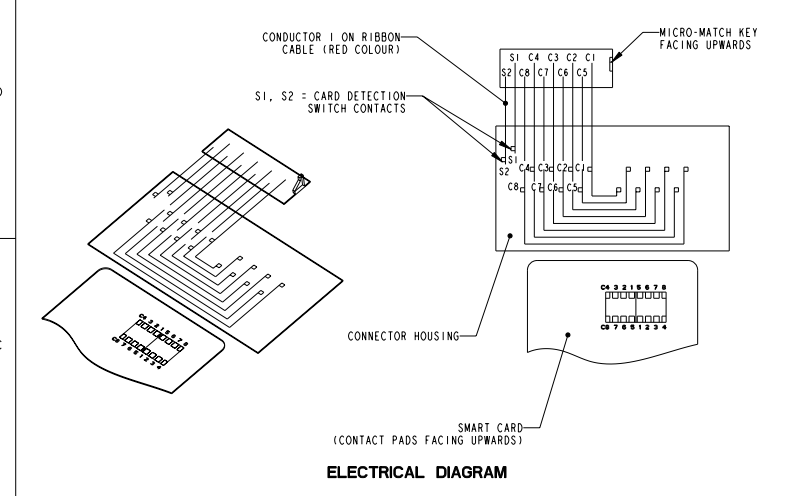
- NOTES:**
- CONTACTS PLATING :
 OVERALL: Ni 2µm MIN, ALL OVER THE CONTACTS.
 SOLDER ZONE: Sn 2.5µm MIN ON THE SOLDER ZONE OF THE CONTACTS.
 MATING ZONE: PLATING CONFIRMS TO PRODUCT REQUIREMENTS AS PER SPECIFICATION 108-15174.
 - MATERIAL :
 HOUSING: PBT-GF, BLACK UL 94V0.
 CONTACTS: PHOSPHOR BRONZE.
 - TE SMART CARD RECEPTACLE DESIGNED TO ACCEPT ISO 7810-7816 TYPE INTEGRATED CIRCUIT SMART CARDS (0.75MM REF. THICKNESS) SEE SHEET 2/2
 - UL STYLE 2651 RIBBON CABLE AND 10 POSITIONS MICRO-MATCH CONNECTOR; TO BE MATED WITH I-215079-0 THROUGH HOLE VERSION OR I-188275-0 SMT VERSION.

ASS'Y P/N	5	4	3	2	1	DESCRIPTION	ITEM
						FERRITE CORE (SEE SHEET 2)	3
						RIBBON CABLE ASS'Y, L = 80mm	2
						RIBBON CABLE ASS'Y, L = 150mm	2
						RIBBON CABLE ASS'Y, L = 305mm	2
						RIBBON CABLE ASS'Y, L = 100mm	2
						SMART CARD READER ASS'Y 8 POS. WITH METAL STRAIN RELIEF	1
ASS'Y P/N 5953131	-5	-4	-3	-2	-1	DESCRIPTION	ITEM

THIS DRAWING IS A CONTROLLED DOCUMENT. DWG No. 30-Nov-04
 CDR: Coolen
 APPR: Jansen
 NAME: Jansen
 PRODUCT SPEC: 108-15174
 APPLICATION SPEC: 108-15174

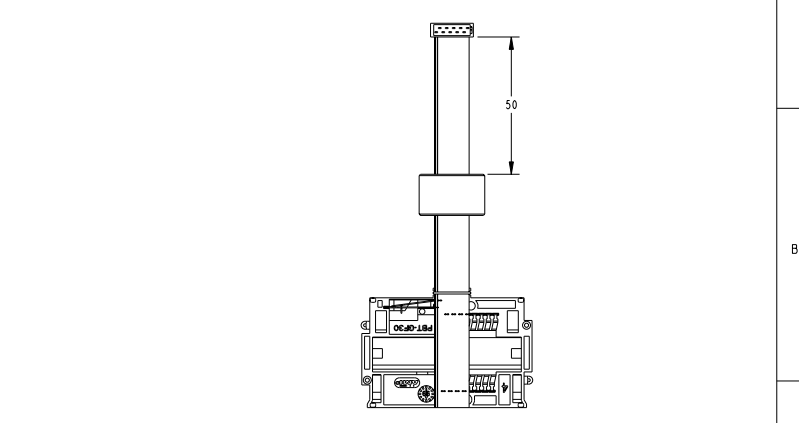
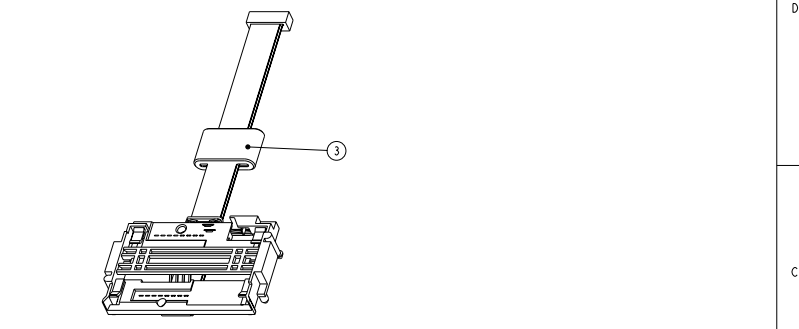
TE TE Connectivity
SMART CARD READER WITH RIBBON CABLE 8 POSITIONS

SIZE: A2 CAGE CODE: 5953131 DRAWING NO: 5953131
 WEIGHT: CUSTOMER DRAWING SCALE: 2:1 SHEET 1 OF 2 REV B1



1471-9 (3/11)

P	LYR	DESCRIPTION	DATE	DWN	APVD
-	-	SEE SHEET 1	-	-	-



PN 5953131-5 AS SHOWN

THIS DRAWING IS A CONTROLLED DOCUMENT.		DWN R Coolen 30-Nov-04		
DIMENSIONS: mm		APP M Jansen	NAME Jansen	
TOLERANCES UNLESS OTHERWISE SPECIFIED:		0 PLC ± 0.3	PRODUCT SPEC	
		1 PLC ± 0.3	APPLICATION SPEC	
		2 PLC ± 0.3	WEIGHT	
		3 PLC ± 0.3	CUSTOMER DRAWING	
		4 PLC ± 0.3	SIZE A2	
		ANGLES	CAGE CODE	
		FINISH	DRAWING NO. C-5953131	
			RESTRICTED TO	
			SCALE 2:1 SHEET 2 OF 2 REV B1	