

4

3

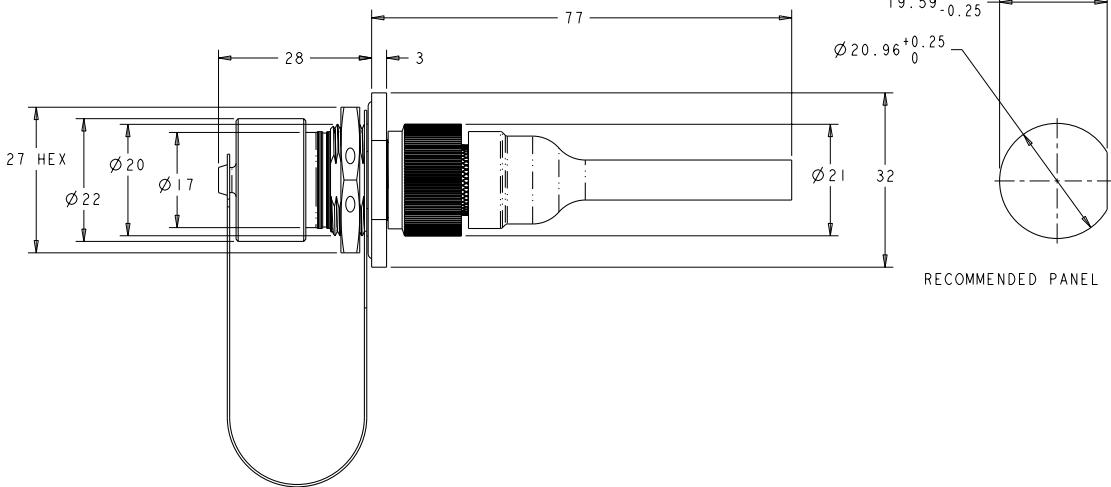
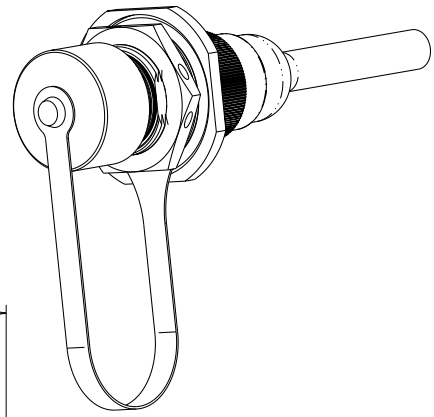
2

1

THIS DRAWING IS UNPUBLISHED. RELEASED FOR PUBLICATION  
 BY TYCO ELECTRONICS CORPORATION. ALL RIGHTS RESERVED.

LOC	DISP	REV	DATE	BY	APPD
CE	16	D	ECR-07-001864	06M007	KG DW
		E	ECR-07-025776	16M007	KG DW
		F	ECR-09-018342	01SEP2009	KG DW
		F1	ECR-10-002629	09FEB2010	KG DW

- ASSEMBLY SHOWN FOR REFERENCE ONLY. SHIPPED LOOSE PIECE AS SHOWN ON PAGE 2.
- ALL ASSEMBLY DIMENSIONS ARE FOR REFERENCE ONLY.
- THIS PRODUCT HAS NOT COMPLETED VALIDATION TESTING.
- USE WITH 1.8mm DIAMETER INDIVIDUALLY JACKETED AVIONICS CABLE, FOUR CABLES MAXIMUM.
- PER MIL-DTL-38999K, FIGURE 11, TYPE E.
- COMPLETE THE CONNECTOR ASSEMBLY BY ADDING EACH OF THE FOLLOWING:
  - TYCO ELECTRONICS MINI EXPANDED BEAM INSERT ASSEMBLY;
  - MINI EXPANDED BEAM FERRULE, ONE PER FIBER.



RECOMMENDED PANEL CUT-OUT

E-KEY, OLIVE DRAB	1-1754519-2
D-KEY, OLIVE DRAB	1-1754519-1
C-KEY, OLIVE DRAB	1-1754519-0
B-KEY, OLIVE DRAB	1754519-9
A-KEY, OLIVE DRAB	1754519-8
N-KEY, OLIVE DRAB	1754519-7
E-KEY, Ni-PLATE	1754519-6
D-KEY, Ni-PLATE	1754519-5
C-KEY, Ni-PLATE	1754519-4
B-KEY, Ni-PLATE	1754519-3
A-KEY, Ni-PLATE	1754519-2
N-KEY, Ni-PLATE	1754519-1

**SUPERSEDED BY:**  
 1754519-2  
 1754519-3  
 1754519-4  
 1754519-5  
 1754519-6  
 1754519-7

DESCRIPTION	PART NUMBER
SHELL KIT, JAM NUT RECEPT, 38999, MINI EB, AVIONICS CABLE	

DATE: 13 APR 2004	BY: J. GLATFELT	APPD: D. WERIMAN	DATE: 08 MAY 2004
DIMENSIONS: mm		TOLERANCES UNLESS OTHERWISE SPECIFIED:	
0 PLC	±	1 PLC	±
1 PLC	±	2 PLC	±
3 PLC	±	4 PLC	±
6 PLC	±	ANGLES	±
MATERIAL: AS LISTED		WEIGHT: CUSTOMER DRAWING	

4

3

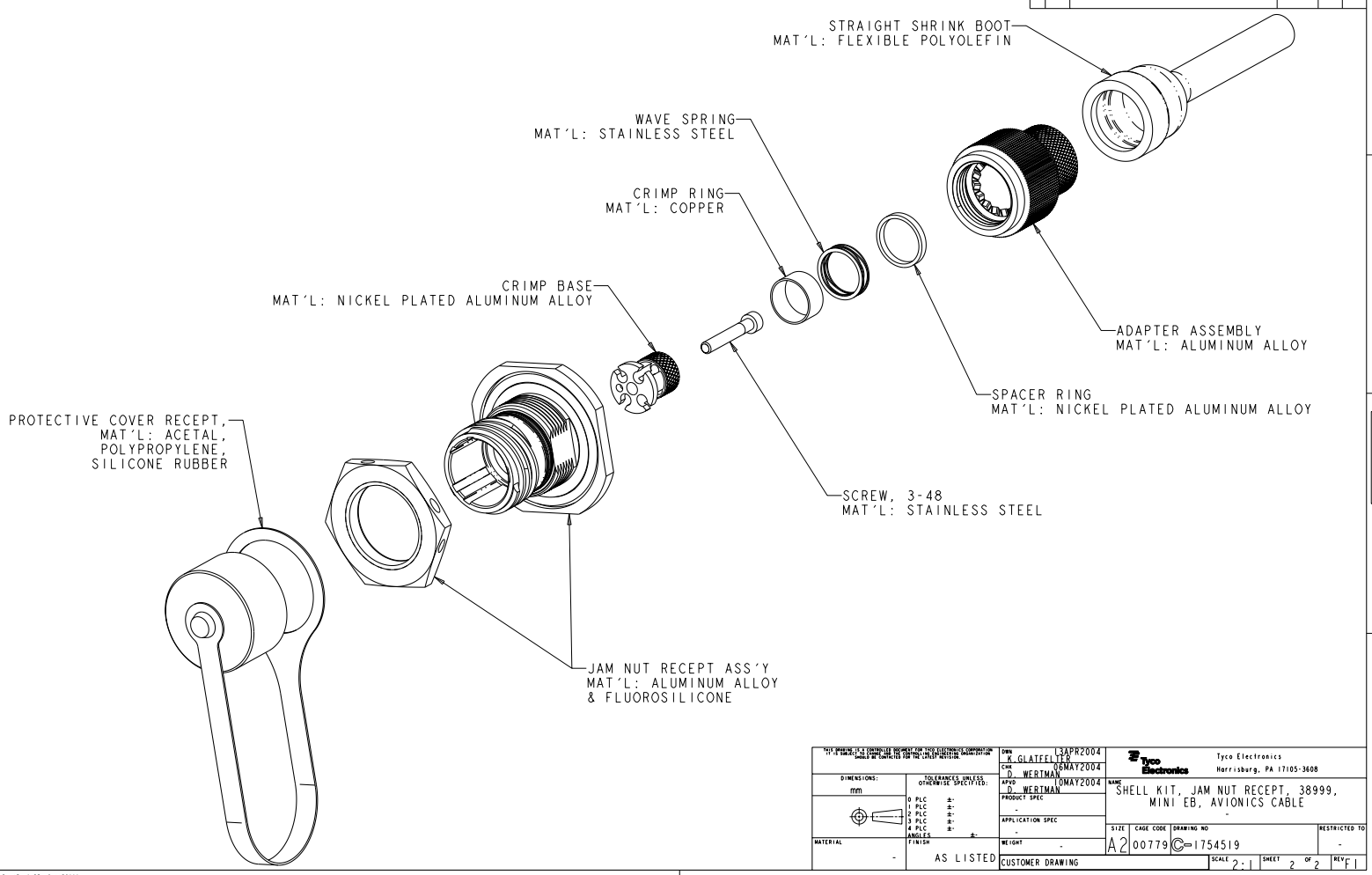
2

1

THIS DRAWING IS UNPUBLISHED. RELEASED FOR PUBLICATION BY TYCO ELECTRONICS CORPORATION. ALL RIGHTS RESERVED. COPYRIGHT 20

LOC	DIST	REV	DESCRIPTION	DATE	BY	APPR
CE	16					
			SEE SHEET 1			

I. SHIPPED LOOSE PIECE AS SHOWN.



DIMENSIONS: mm TO DIMENSIONS ONLY OPERATING SPEC'S:		DWG: L2APR2004 X. GLATFELT CHK: 08MAY2004 D. WERIMAN APPR: 10MAY2004 D. WERIMAN	Tyco Electronics Harrisburg, PA 17105-3608
MATERIAL: AS LISTED FINISH: CUSTOMER DRAWING		NAME: SHELL KIT, JAM NUT RECEPT, 38999, MINI EB, AVIONICS CABLE APPLICATION SPEC: - PRODUCT SPEC: - WEIGHT: - RESTRICTED TO: -	SHEET: A2 CASE CODE: 00779 DRAWING NO: 1754519 SCALE: 2:1 SHEET: 2 OF 2 REV: 1

AMP 1471-9 REV 31MAR2000