



Copyright FCI



FCIconnect.com



1 | 2

3

4

PRODUCT NUMBER
20020303-XXXXXXLF

20020303-□ □ □ □ B 0 □ L F

PITCH
D: 3.81 mm
G: 5.00 mm
H: 5.08 mm

POLES
02: 2 POLES
03: 3 POLES
.....
24: 24 POLES

LF : DENOTED RoHS COMPATIBLE

1 : STANDARD PRODUCT
W/ BOX PACKING

HOUSING CODE

CODE	COLOR	AVAILABILITY
1	GREEN(RAL 6018/T)	STANDARD
2	BLACK	ON REQUEST ONLY
3	GREY(RAL 7004/P)	ON REQUEST ONLY
4	BLUE(RAL 5015/A)	ON REQUEST ONLY

PROPERTY TABLE				
FCI SERIES NAME		09-381	09-500	09-508
PITCH (mm)		3.81	5.00	5.08
VOLTAGE RATING (VAC)		300	300	300
CURRENT RATING (A)		6	10	10
APPLICABLE WIRE RANGE (AWG)	1-WIRE	16~26	14~24	14~24
	2-WIRE	NA	NA	NA
WIRE CROSS SECTION (mm ²)	SOLID	1-WIRE	1.0	1.5
		2-WIRE	NA	NA
	STRANDED	1-WIRE	1.0	1.5
		2-WIRE	NA	NA
OPENING CONTACT HOUSING(mm ²)		1.7x1.7	2.4x2.4	2.4x2.4
WIRE STRIP LENGTH(mm)		9~10	9~10	9~10
WITHSTANDING VOLTAGE (kV)		1.6	1.6	1.6
OPERATING TEMP. (°C)		-40~+115	-40~+115	-40~+115
SOLDERING TEMP. (°C)		250±10 (5 sec.)	250±10 (5 sec.)	250±10 (5 sec.)
POLES AVAILABLE		02~24	02~24	02~24
SAFETY CERTIFICATE				

NOTES:

- MATERIALS
 - 1-1 TERMINAL BODY: THERMALPLASTIC RESIN, UL 94V-0 RATED.
 - 1-2 TERMINAL COVER: THERMALPLASTIC RESIN, UL 94V-0 RATED.
 - 1-3 TERMINAL LEVER: THERMALPLASTIC RESIN, UL 94V-0 RATED.
 - 1-5 TERMINAL: COPPER ALLOY, TIN PLATED.
 - 1-6 SPRING CLAMP: STAINLESS STEEL.
- PRODUCT SPECIFICATION REFER TO FCI GS-12-625.
- PRODUCT PACKING SPECIFICATION REFER TO FCI GS-14-1394.
- FCI, SAFETY CERTIFICATE LOGO AND SERIES NAME TO BE SHOWN ON PRODUCT SURFACE.
- THE PRODUCTS WHERE THE PART NUMBER END IN "LF" MEET THE EUROPEAN UNION DIRECTIVE AND OTHER COUNTRY REGULATIONS AS DESCRIBED IN GS-22-008.
- RECOMMENDED SOLDERING PROCESS BY WAVE SOLDER.

mat'l. code	surface ASME Y14.5 ✓	tolerance ASME Y14.5	projection	product family
ltr	ecn no	dr	ddate	tolerances unless otherwise specified
A	T10-0191	WL	122010	angles
B	T11-0012	WL	021711	X.±0.5
C	T-005281	WL	082311	X.X±0.3
				X.XX±0.1
		dr	WENDY CHEN	110910
		engr	JASON HSU	110910
		chr	JASON HSU	110910
		appd	JASON HSU	110910
sheet index	revision sheet	C	C	C
		1	2	3

title	product family
TERMINAL BLOCK	TERMINAL BLOCK
FIXED SIGNAL PLUG, RIGHT ANGLE WIRE INLET	
dwg no	sheet 1 of 4 size
20020303	A4
type	CUSTOMER Drawing

form: A4mmXLc

1 |

2 |

PDS: Rev :C 3 |

STATUS:Released

Printed: Aug 24 2011



Copyright FCI



FCIconnect.com



1 | 2

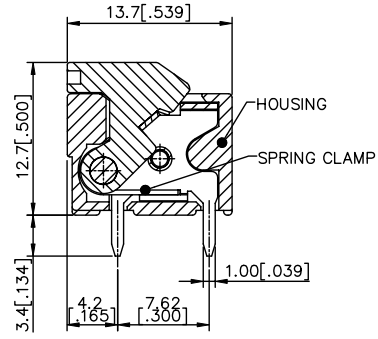
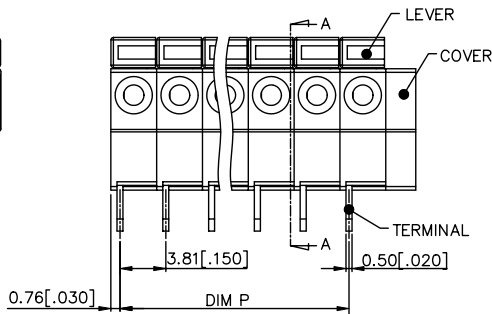
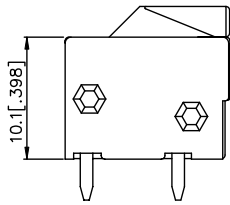
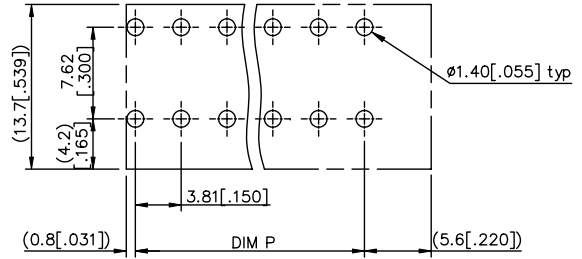
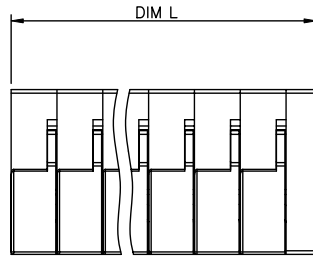
3 |

4

PRODUCT NUMBER	SERIES NAME	PITCH
20020303-DXXXXXXLF	09-381	3.81 mm

N = Number of poles
 Dim L = $N \times 3.81 [.150] + 2.5 [.098]$
 Dim P = $(N - 1) \times 3.81 [.150]$

POLES	Dim L	Dim P
2-6P	$\pm 0.15 [.006]$	$\pm 0.10 [.004]$
7-12P	$\pm 0.20 [.008]$	$\pm 0.20 [.008]$
13-18P	$\pm 0.30 [.012]$	$\pm 0.25 [.010]$
19-24P	$\pm 0.40 [.016]$	$\pm 0.30 [.012]$



mat'l. code	surface ASME Y14.5	tolerance ASME Y14.5	projection 	product family TERMINAL BLOCK				
ltr	ecn	no	dr	date	tolerances unless otherwise specified	title		
C					$X \pm 0.5$ $X.X \pm 0.3$ $X.XX \pm 0.1$	TERMINAL BLOCK FIXED SIGNAL PLUG, RIGHT ANGLE WIRE INLET		
			dr	WENDY CHEN	110910	MM		
			enr	JASON HSU	110910	[INCH]		
			chr	JASON HSU	110910	scale		
			appd	JASON HSU	110910			
sheet index	revision sheet						dwg no 20020303	sheet 2 of 4 size A4
							type CUSTOMER Drawing	

form: A4mmXLC

1 |

2 |

PDS: Rev :C 3 |

STATUS:Released

Printed: Aug 24 2011



Copyright FCI



FCIconnect.com



1 | 2

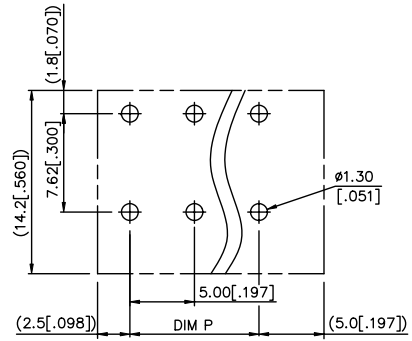
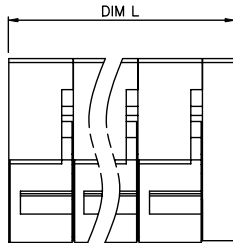
3

4

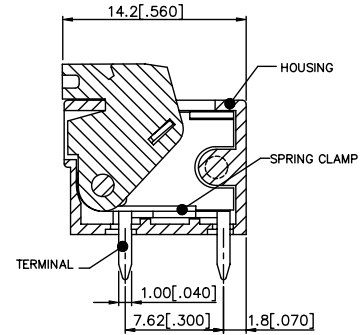
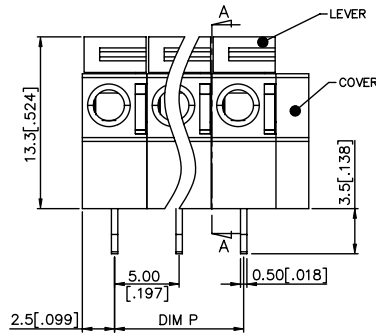
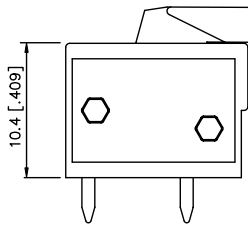
PRODUCT NUMBER	SERIES NAME	PITCH
20020303-GXXXXXL	09-500	5.00 mm

N = Number of poles
 Dim L = $N \times 5.0[.197] + 2.54[.100]$
 Dim P = $(N-1) \times 5.0[.197]$

POLES	Dim L	Dim P
2-6p	$\pm 0.15[.006]$	$\pm 0.10[.004]$
7-12p	$\pm 0.20[.008]$	$\pm 0.20[.008]$
13-18p	$\pm 0.30[.012]$	$\pm 0.25[.010]$
19-24p	$\pm 0.40[.016]$	$\pm 0.30[.012]$



P.C.B. LAYOUT



SEC. A-A

mat'l. code	surface ASME Y14.5	tolerance ASME Y14.5	projection	product family
ltr	ecn	no	dr	date
tolerances unless otherwise specified				title
C	angles	X. \pm 0.5	MM	TERMINAL BLOCK
	X' \pm 1'	X.X \pm 0.3	[INCH]	FIXED SIGNAL PLUG, RIGHT ANGLE WIRE INLET
		X.XX \pm 0.1	scale	dwg no
	dr	WENDY CHEN	110910	sheet 3 of 4
	enrg	JASON HSU	110910	size
	chr	JASON HSU	110910	20020303
	appd	JASON HSU	110910	A4
sheet	revision			type
index	sheet			CUSTOMER Drawing

form: A4mmXlc

1

2

PDS: Rev :C 3

STATUS:Released

Printed: Aug 24, 2011



Copyright FCI



FCIconnect.com



1 | 2

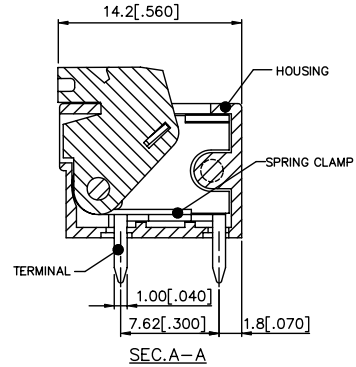
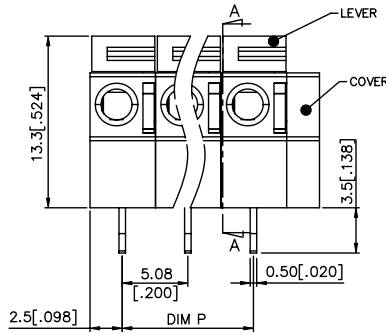
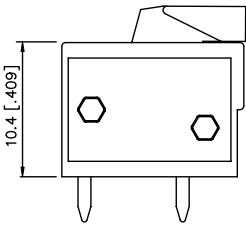
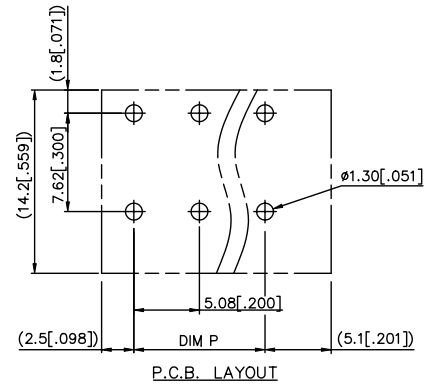
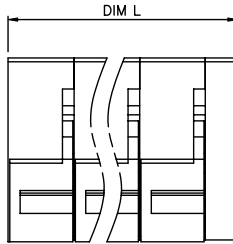
3

4

PRODUCT NUMBER	SERIES NAME	PITCH
20020303-HXXXXXXLF	09-508	5.08 mm

N = Number of poles
 Dim L = $N \times 5.08 [.200] + 2.54 [.100]$
 Dim P = $(N-1) \times 5.08 [.200]$

POLES	Dim L	Dim P
2-6p	$\pm 0.15 [.006]$	$\pm 0.10 [.004]$
7-12p	$\pm 0.20 [.008]$	$\pm 0.20 [.008]$
13-18p	$\pm 0.30 [.012]$	$\pm 0.25 [.010]$
19-24p	$\pm 0.40 [.016]$	$\pm 0.30 [.012]$



mat'l. code	surface ASME Y14.5	tolerance ASME Y14.5	projection	product family TERMINAL BLOCK
ltr	ecn	no	dr	date
tolerances unless otherwise specified				
C	angles	$X \pm 0.5$ $X.X \pm 0.3$ $X.XX \pm 0.1$	MM [INCH]	title TERMINAL BLOCK FIXED SIGNAL PLUG, RIGHT ANGLE WIRE INLET
	dr	WENDY CHEN	110910	scale
	enr	JASON HSU	110910	dwg no
	chr	JASON HSU	110910	20020303
	appd	JASON HSU	110910	sheet 4 of 4 size A4
sheet index	revision sheet			type CUSTOMER Drawing

form: A4mmXLc

1

2

PDS: Rev :C 3

STATUS:Released

Printed: Aug 24 2011