

# CCM03 Series

## Features

- SIM/SAM card acceptance
- Hinged and fixed covers
- Compatible with pick and place and lead free soldering

## Typical Applications

- Handheld products
- Identification
- POS
- Automotive



## Mechanical

Number of Contacts	6 or 8
Mechanical life, hinged cover	10,000 cycles min
Mechanical life, fixed cover	50,000 cycles
Card insertion force	Hinged cover: 1N max Fixed cover: 3N max
Card extraction force	Hinged cover: 1N max Fixed cover: 0,80N min / 3N max
Contact force	0,25N min / 0,50N max
Slide locking force	2N min / 6N max 1,8N max. for complete depression
Vibration Frequency	10 to 500 Hz. Acceleration 50m/s <sup>2</sup> Duration 6 hours - amplitude 0,35 mm
Max electrical discontinuity	1µs
Shock	Peak value 500 m/s <sup>2</sup> – Duration 11 ms 3 shocks in each direction of each axis

## Switch Electrical Data

Card detection switch	Normally open
Contact resistance	100 mΩ max
Dielectric strength	250 Vrms min
Current rating	1 mA min / 10m A max
Maximum power	0.2 VA

## Environment Data

Operating temperature	-40°C to +85°C
Damp heat	IEC 512 test number 11c (10 days)
Salt mist	IEC 512 test number 11f (96 hours)
RoHS compliant	

## Soldering Process

Compatible with lead free SMT soldering process

## Contact Electrical Data

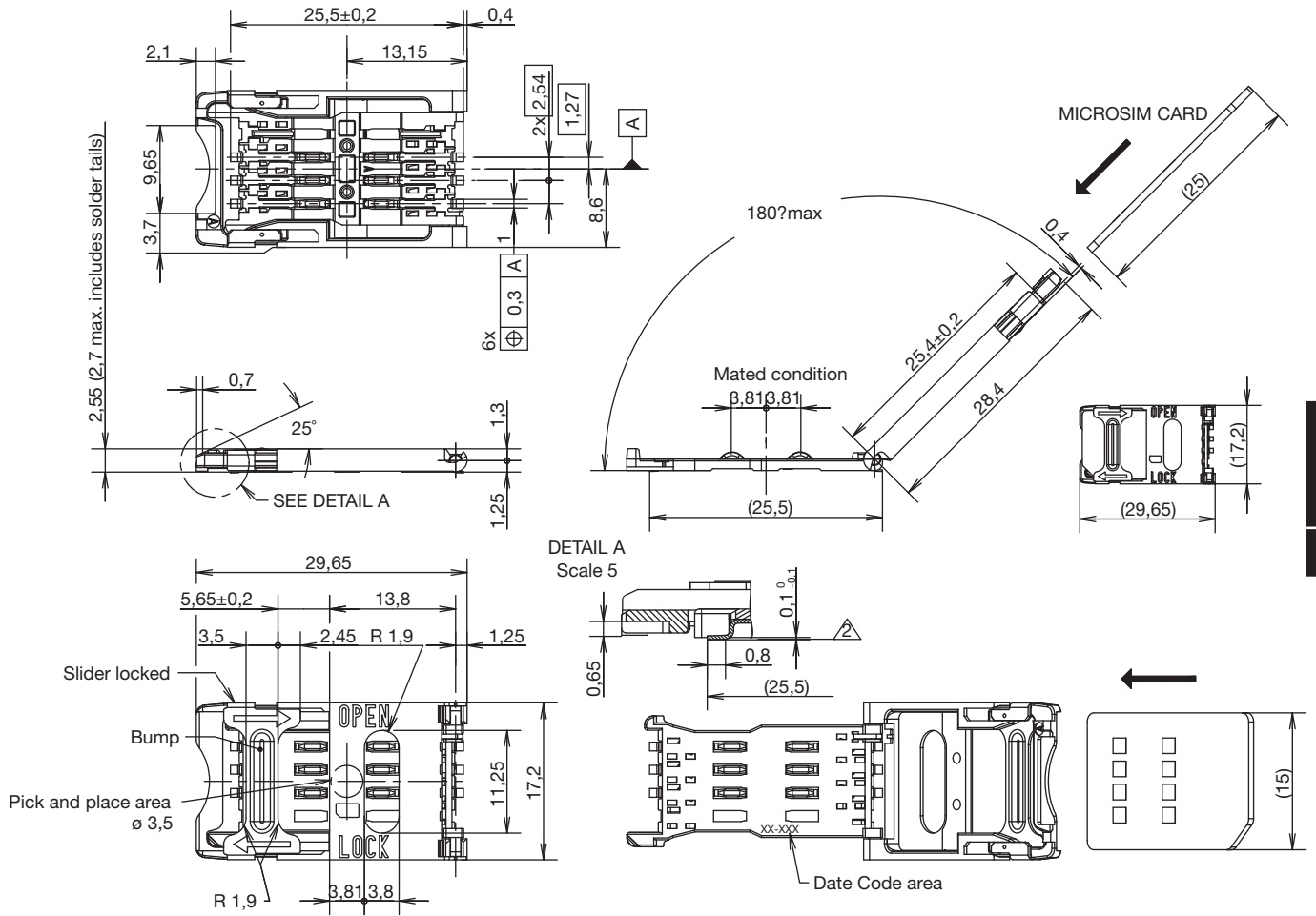
Insulation resistance	1,000 MΩ min
Resistance	100 mΩ max
Current rating	10 µA min / 1 A max
Dielectric strength	750 Vrms min



SIM/SAM

Designation	Contact Plating	Cover	# of Contacts	PCB Version	Card End Travel Switch	Operating Life	Total Height (mm)	Dim. (mm)	Packaging
CCM03-3001LFT	inlay	hinged	6		without	10,000	2,55	17,2 x 29,65	reels of 1,000 pcs
CCM03-3002LFT	inlay	hinged	6	2 plastic pegs	without	10,000	2,55	17,2 x 29,65	reels of 1,000 pcs
CCM03-3003LFT	inlay	hinged	8		without	10,000	2,55	17,2 x 29,65	reels of 1,000 pcs
CCM03-3004LFT	inlay	hinged	8	2 plastic pegs	without	10,000	2,55	17,2 x 29,65	reels of 1,000 pcs
CCM03-3009LFT	gold	hinged	6		without	10,000	2,55	17,2 x 29,65	reels of 1,000 pcs
CCM03-3010LFT	gold	hinged	6	2 plastic pegs	without	10,000	2,55	17,2 x 29,65	reels of 1,000 pcs
CCM03-3011LFT	gold	hinged	8		without	10,000	2,55	17,2 x 29,65	reels of 1,000 pcs
CCM03-3012LFT	gold	hinged	8	2 plastic pegs	without	10,000	2,55	17,2 x 29,65	reels of 1,000 pcs
CCM03-3013LFT	gold	hinged	6		without	10,000	2,55	17,2 x 29,65	reels of 1,000 pcs
CCM03-3512LFT	gold	hinged	6		without	10,000	2,55	17,2 x 29,65	reels of 1,000 pcs
CCM03-3519LFT	gold	hinged	6		without	10,000	2,55	17,2 x 29,65	reels of 1,000 pcs
CCM03-3518LFT	gold	hinged	6		without	10,000	2,2	18 x 29,65	reels of 1,000 pcs
CCM03-3504LFT	gold	fixed	8		without	50,000	2,85	17,2 x 25,5	reels of 1,000 pcs
CCM03-3505LFT	gold	fixed	6		without	50,000	2,85	17,2 x 25,5	reels of 1,000 pcs
CCM03-3535LFT	inlay	fixed	6		without	50,000	2,85	17,2 x 25,5	reels of 1,000 pcs
CCM03-3754LFT	inlay	fixed	6		with	10,000	3,5	16,5 x 18,05	reels of 1,000 pcs
CCM03-3760LFT	inlay	fixed	6		without	10,000	3,45	16,5 x 15,85	reels of 1,000 pcs
CCM03-3764LFT	inlay	none	6		with	10,000	2,9	16,5 x 15,85	reels of 1,000 pcs

## CCM03-3001 LFT / CCM03-3009 LFT



**SIM/SAM**



Dimensions are shown in mm  
Specifications and dimensions subject to change

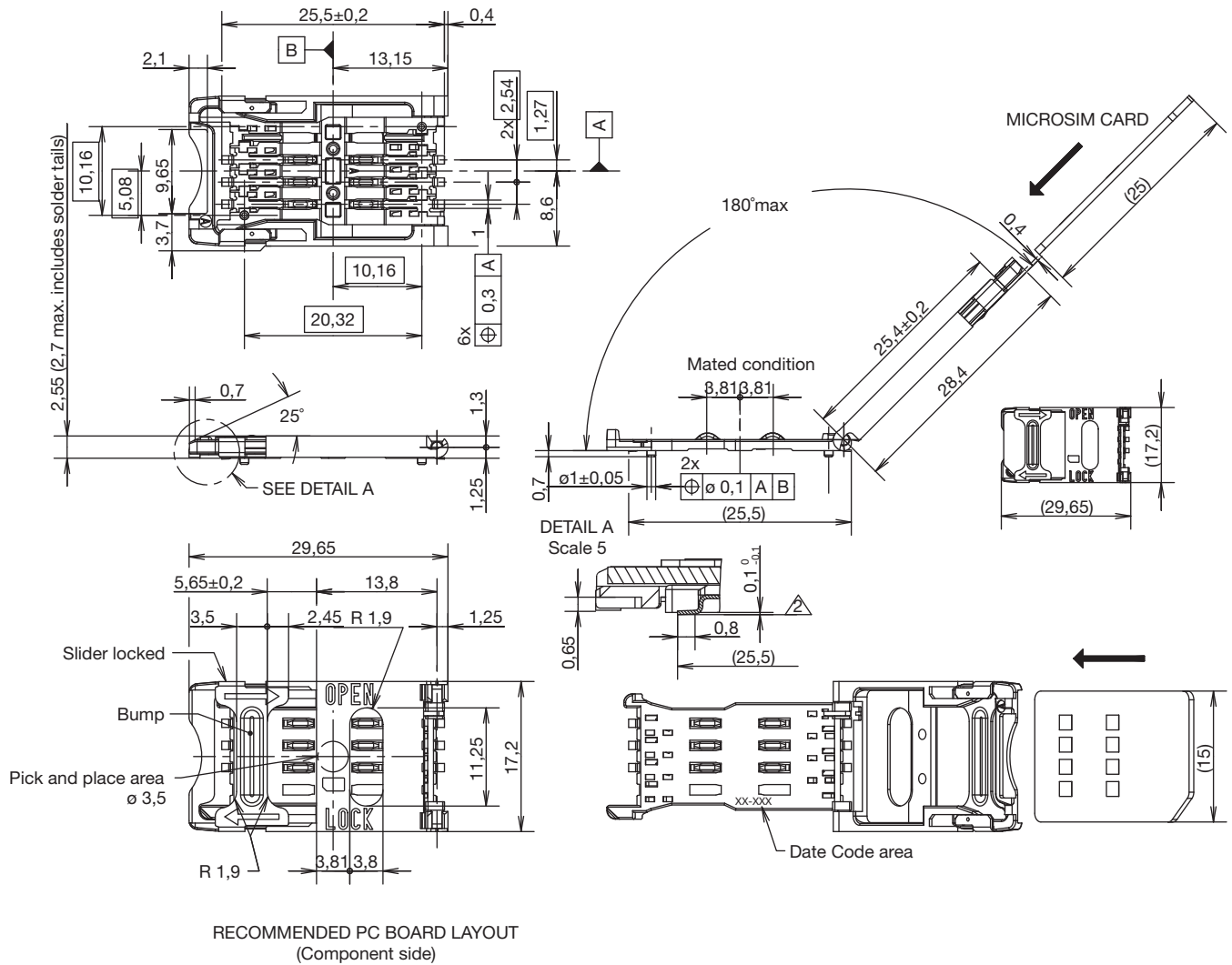
www.ck-components.com



# CCM03 Series

CCM03-3002 LFT / CCM03-3010 LFT

SIM/SAM

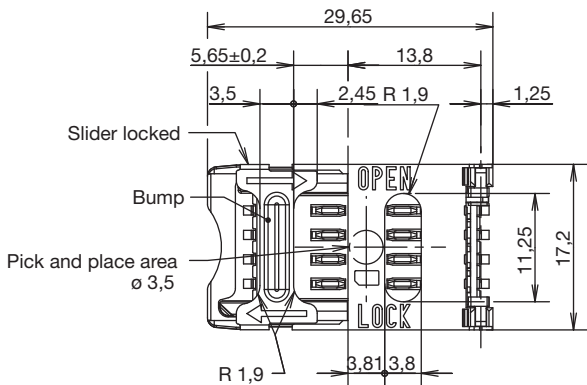
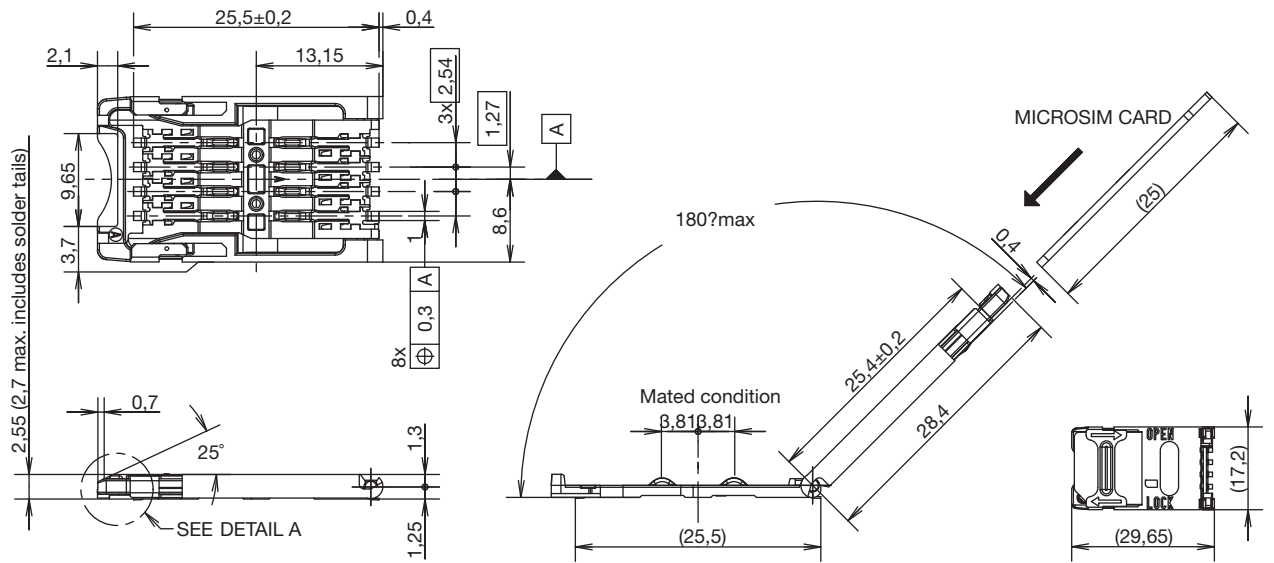


Dimensions are shown in mm  
Specifications and dimensions subject to change

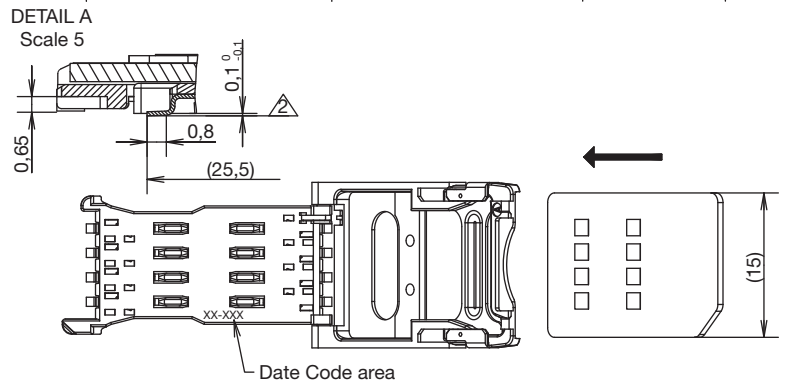
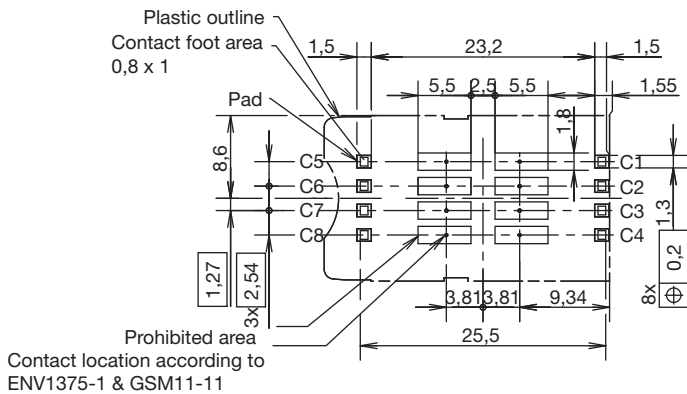
www.ck-components.com



## CCM03-3003 LFT



RECOMMENDED PC BOARD LAYOUT  
(Component side)



**SIM/SAM**



Dimensions are shown in mm  
Specifications and dimensions subject to change

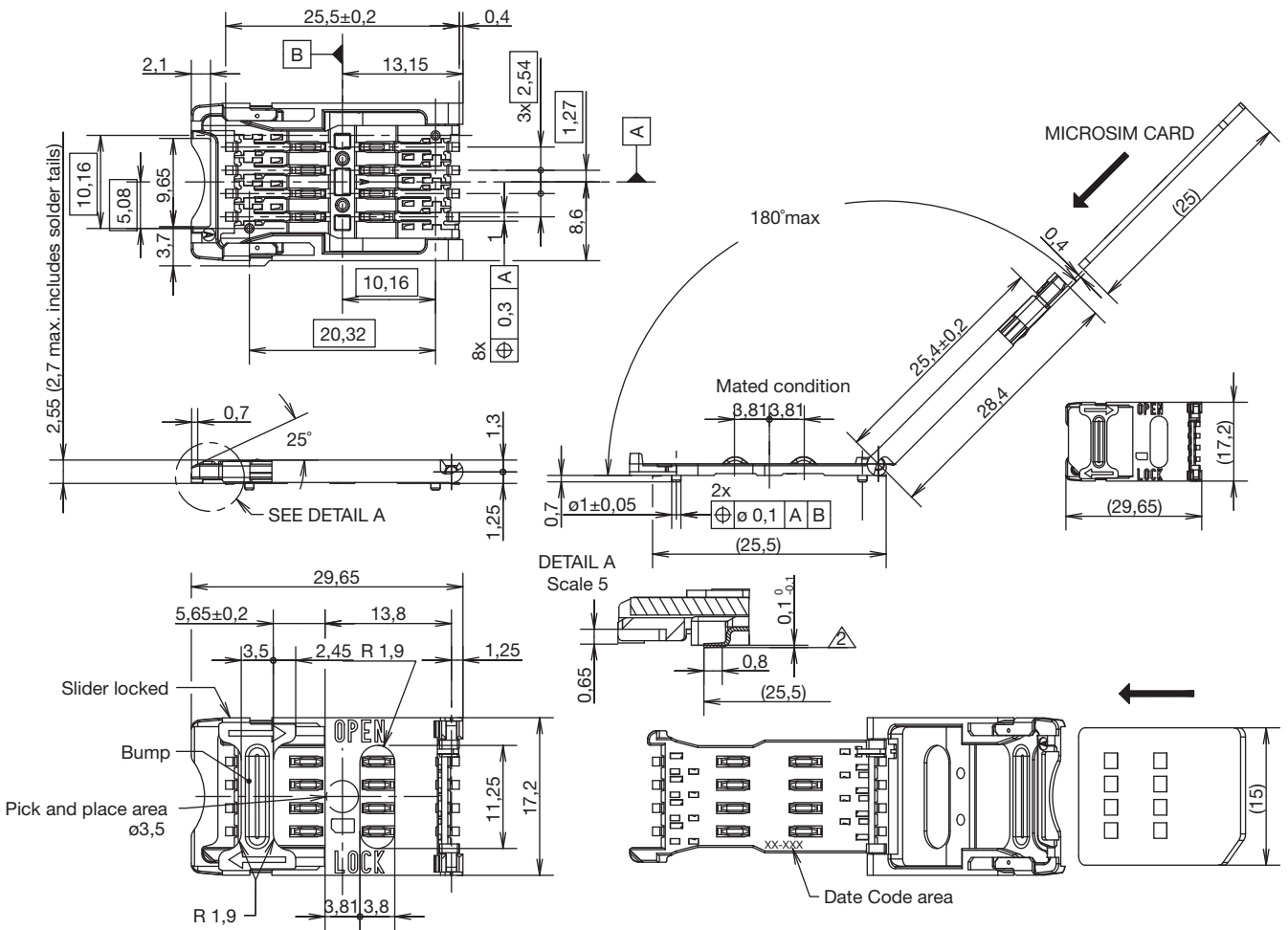


# CCM03 Series

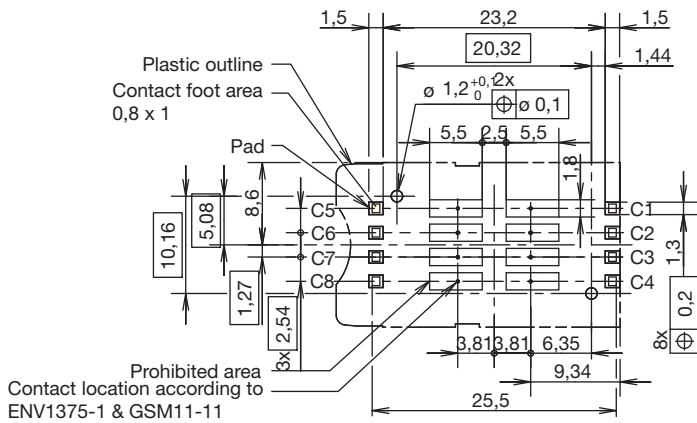
## CCM03-3004 LFT



**SIM/SAM**



RECOMMENDED PC BOARD LAYOUT  
(Component side)



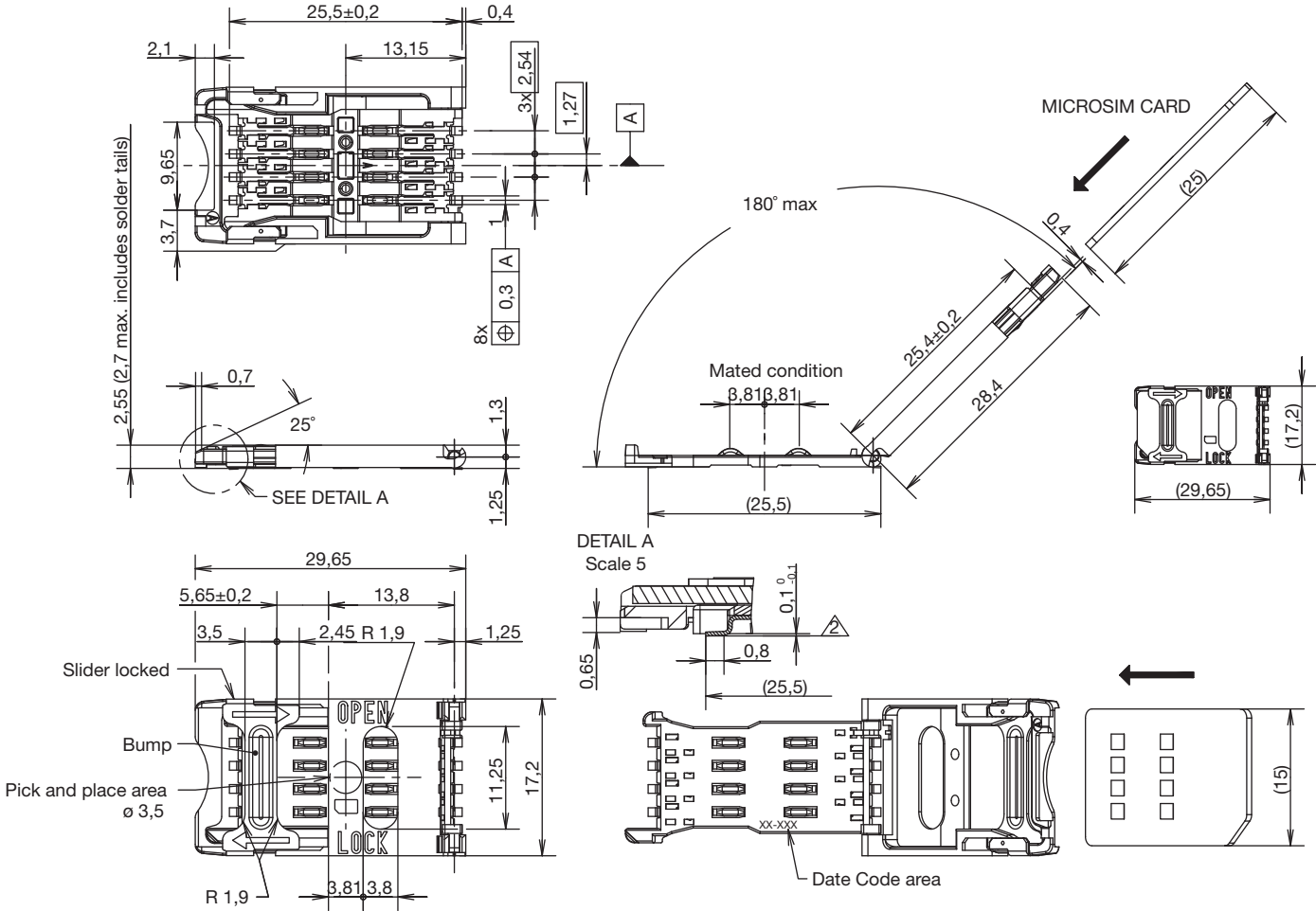
Dimensions are shown in mm  
Specifications and dimensions subject to change

[www.ck-components.com](http://www.ck-components.com)

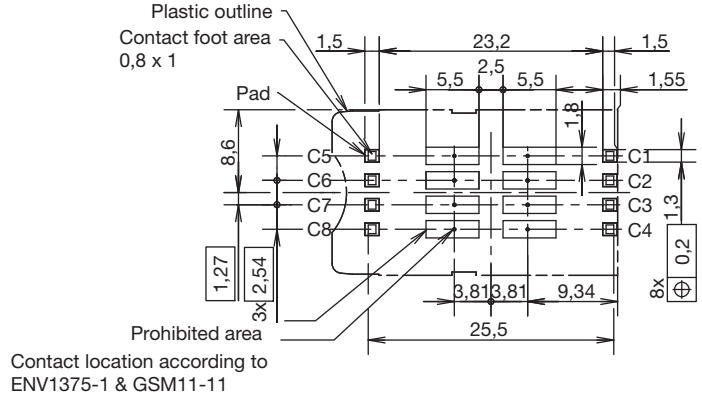


# CCM03 Series

## CCM03-3011 LFT



### RECOMMENDED PC BOARD LAYOUT (Component side)



**SIM/SAM**



Dimensions are shown in mm  
Specifications and dimensions subject to change

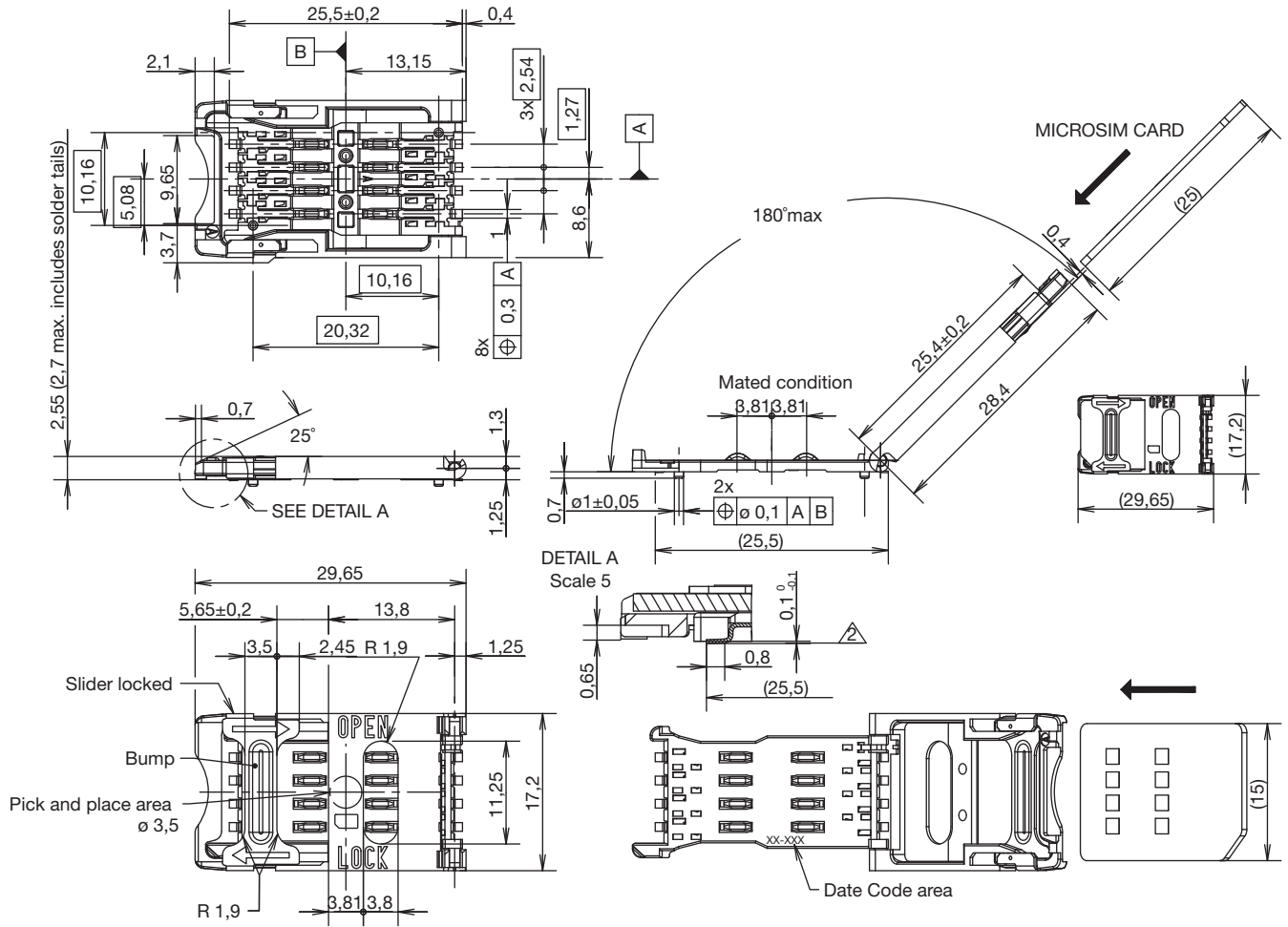
[www.ck-components.com](http://www.ck-components.com)



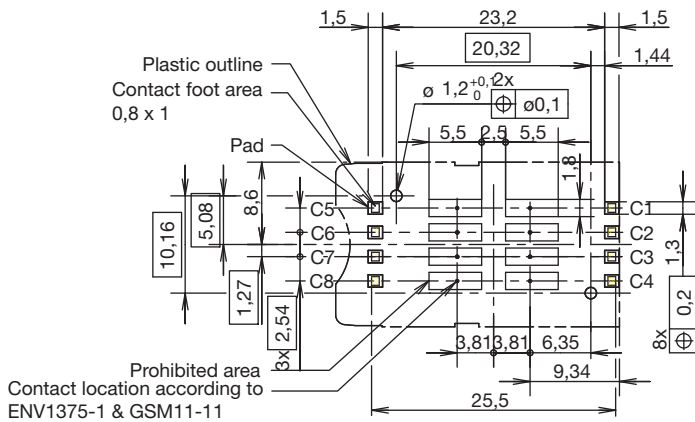
# CCM03 Series

## CCM03-3012 LFT

SIM/SAM



RECOMMENDED PC BOARD LAYOUT  
(Component side)

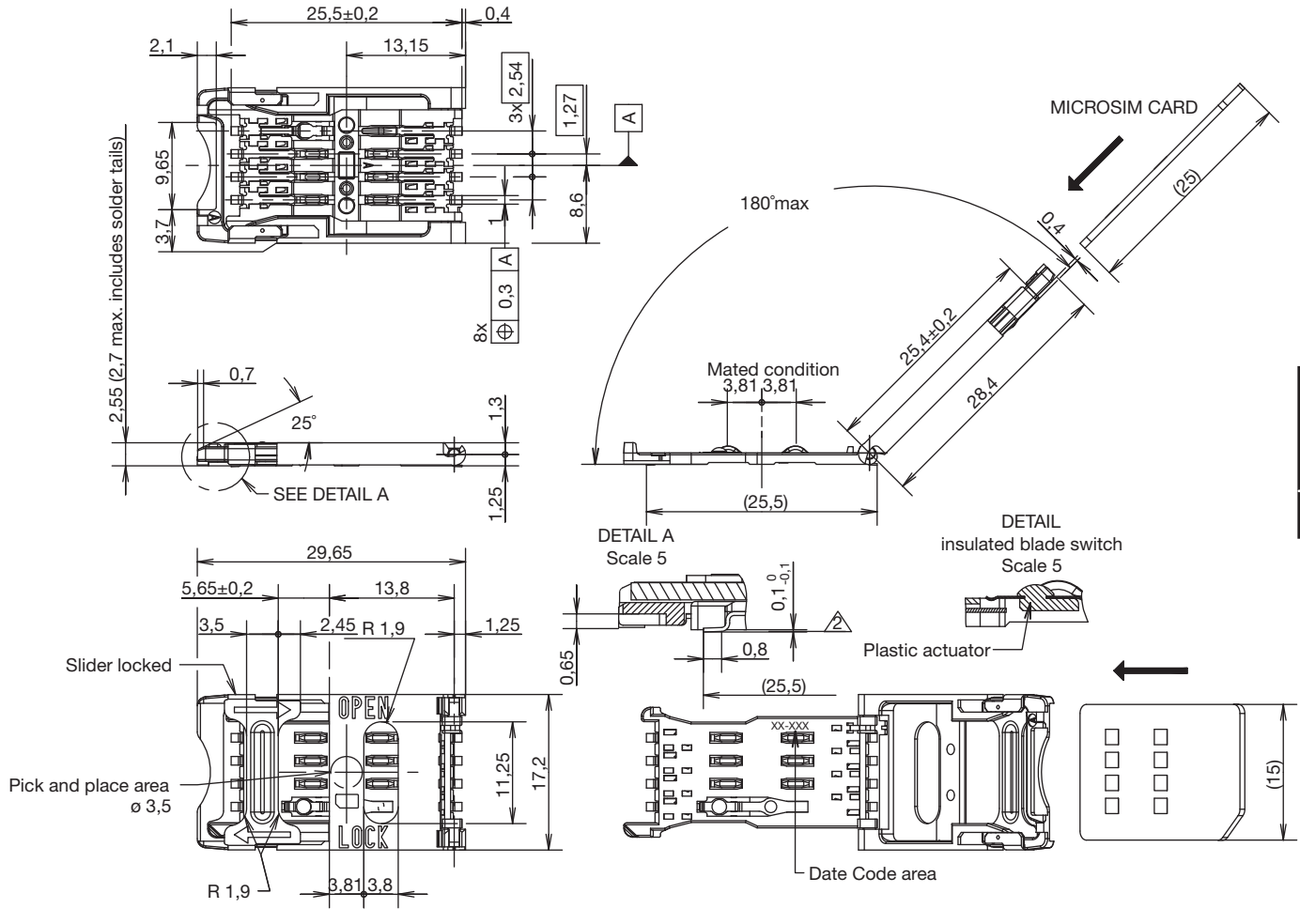


Dimensions are shown in mm  
Specifications and dimensions subject to change

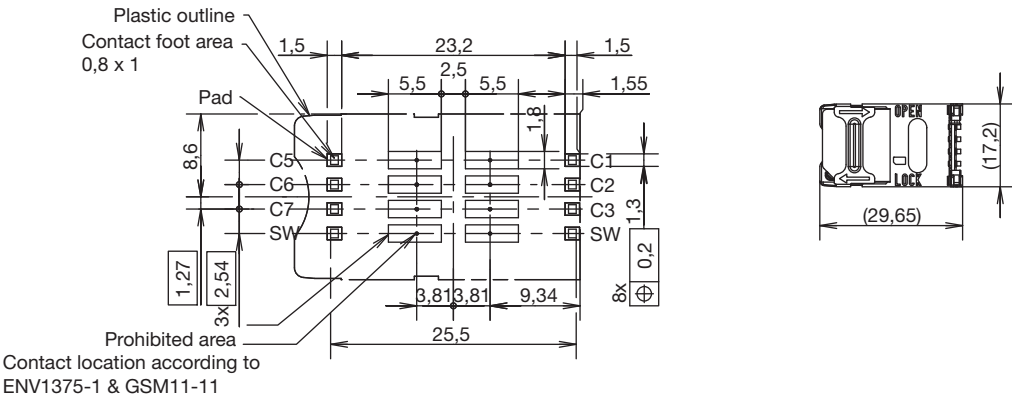
www.ck-components.com



## CCM03-3013 LFT



RECOMMENDED PC BOARD LAYOUT  
(Component side)



**SIM/SAM**



First Angle Projection

Dimensions are shown in mm  
Specifications and dimensions subject to change

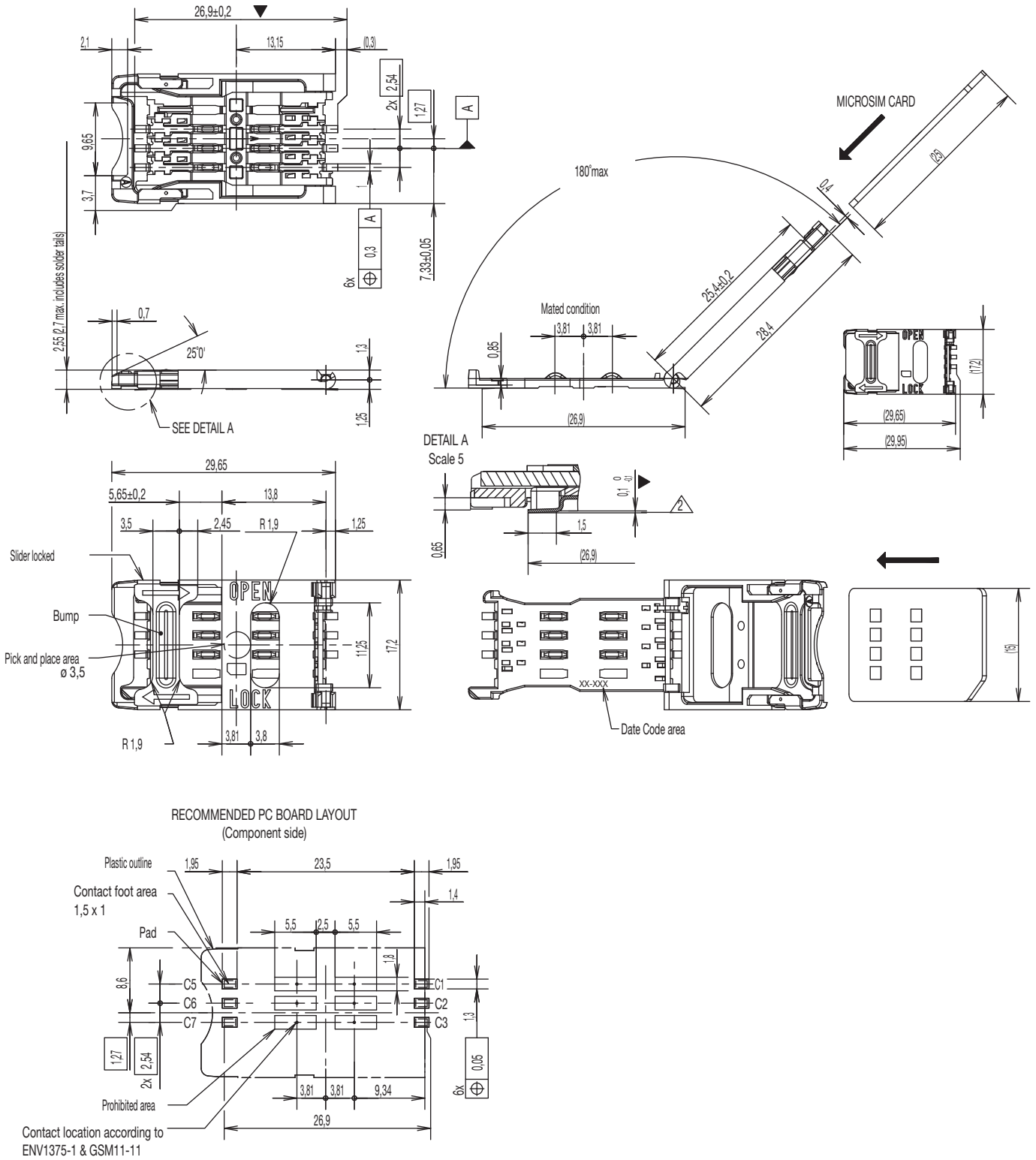




# CCM03 Series

## CCM03-3512 LFT

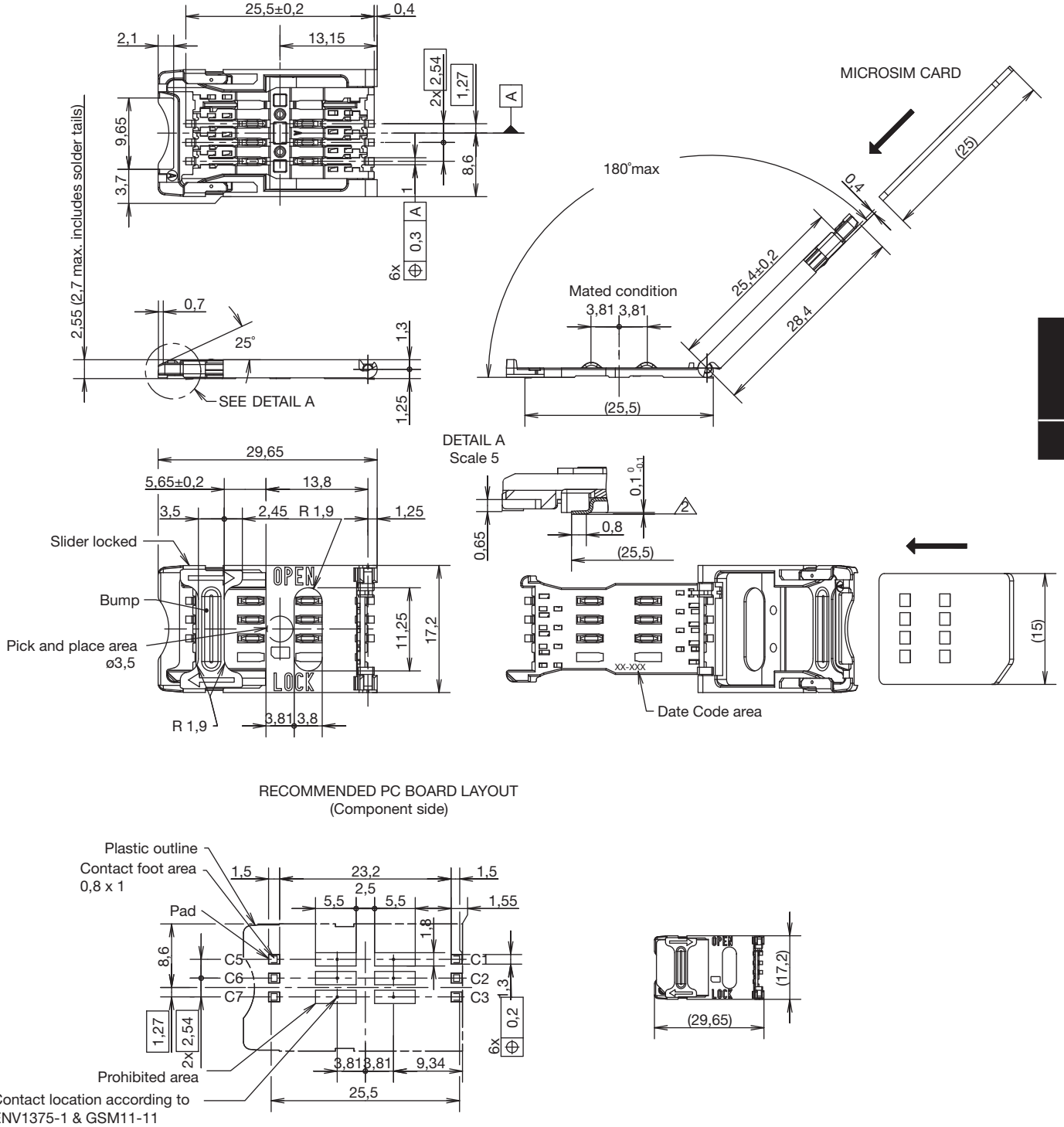
SIM/SAM



Dimensions are shown in mm  
Specifications and dimensions subject to change

www.ck-components.com



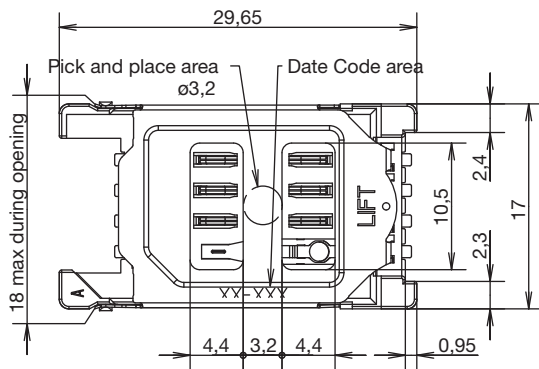
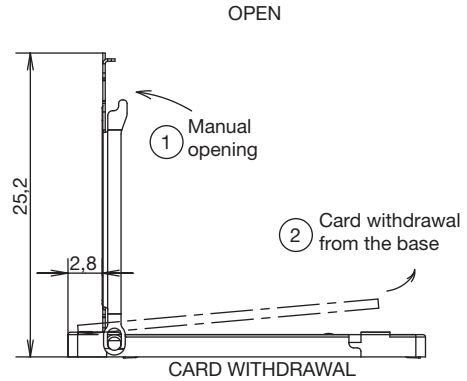
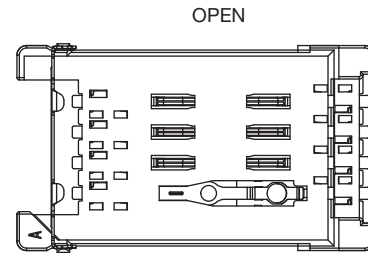
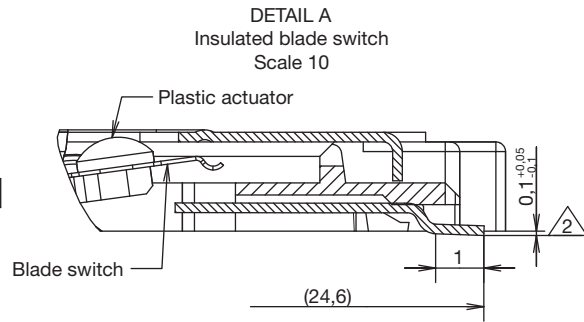
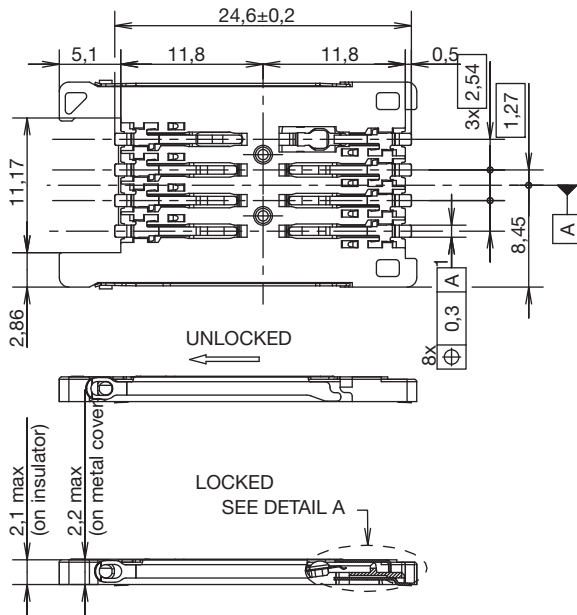


Dimensions are shown in mm  
Specifications and dimensions subject to change

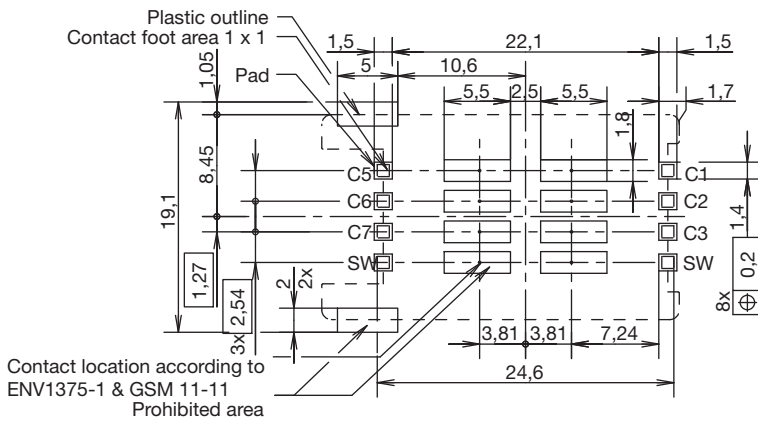
www.ck-components.com

# CCM03 Series

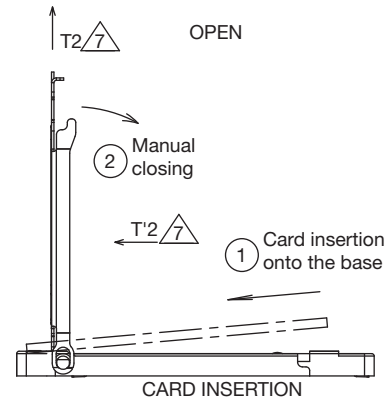
## CCM03-3518 LFT



RECOMMENDED PC BOARD LAYOUT  
(Component side)



Contact location according to  
ENV1375-1 & GSM 11-11  
Prohibited area



First Angle  
Projection

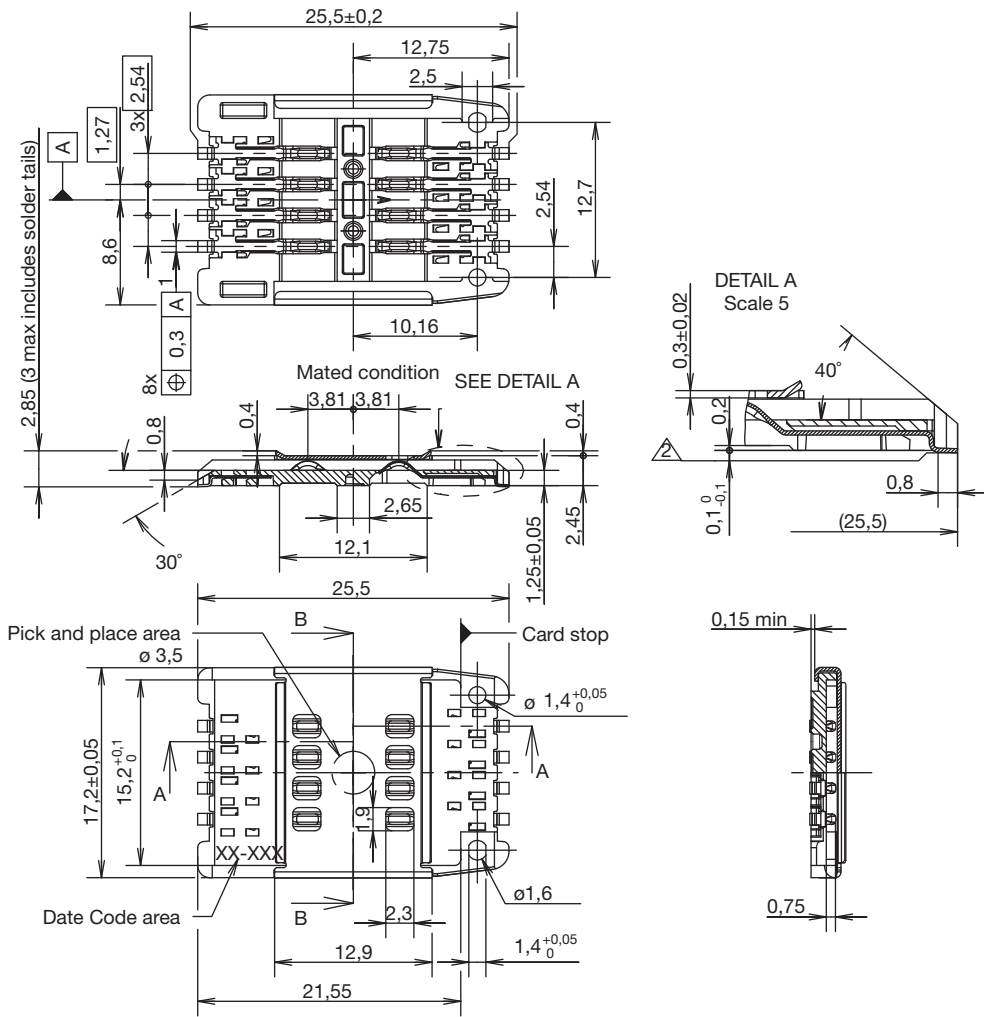
Dimensions are shown in mm  
Specifications and dimensions subject to change

www.ck-components.com

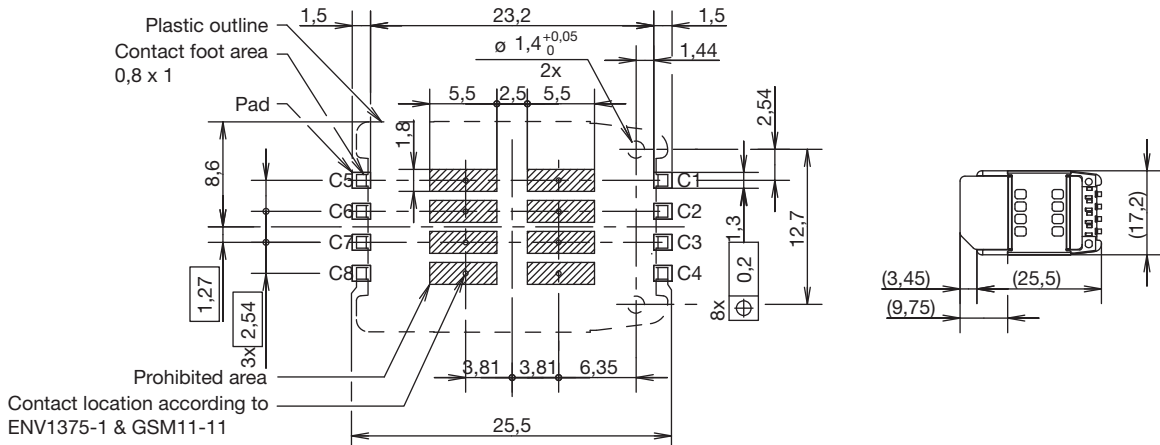
SIM/SAM



## CCM03-3504 LFT / CCM03-3505 LFT



RECOMMENDED PC BOARD LAYOUT  
(Component side)



**SIM/SAM**



First Angle  
Projection

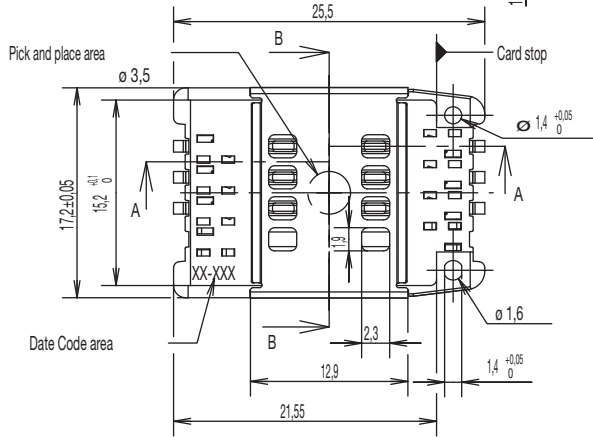
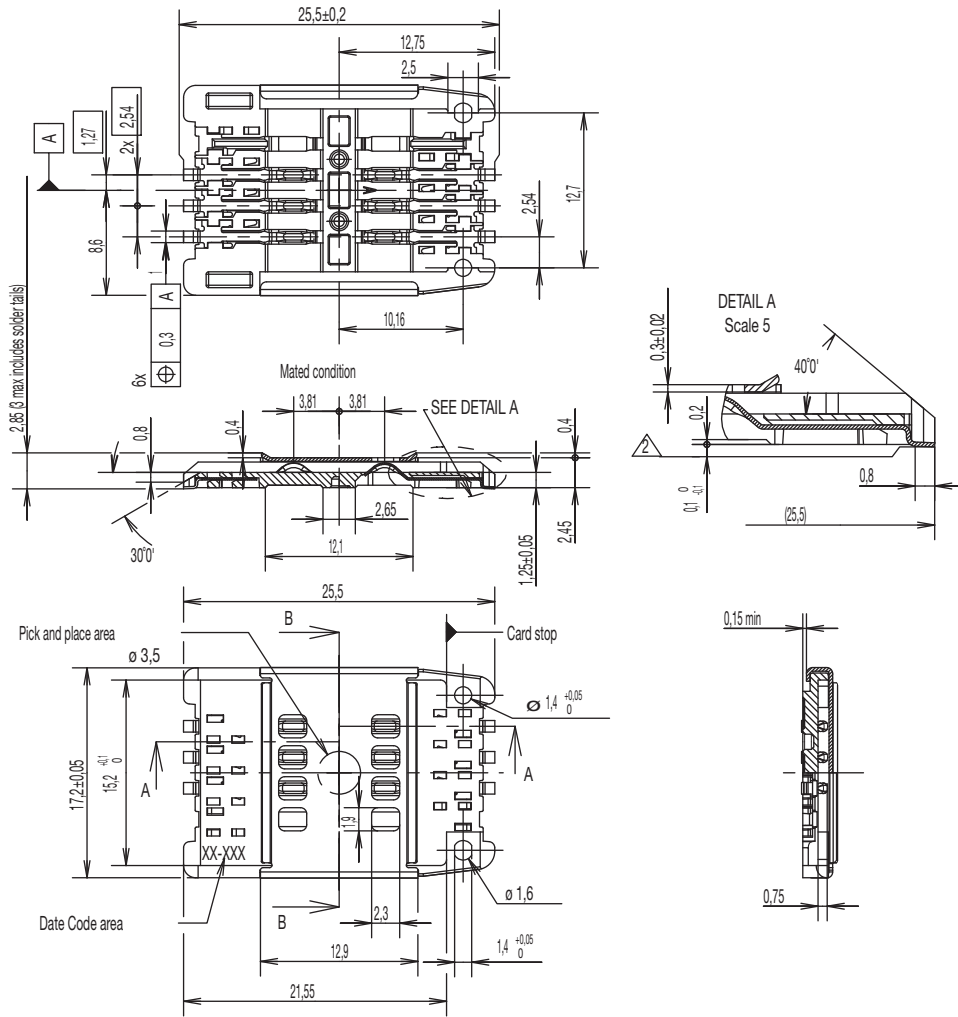
Dimensions are shown in mm  
Specifications and dimensions subject to change

[www.ck-components.com](http://www.ck-components.com)

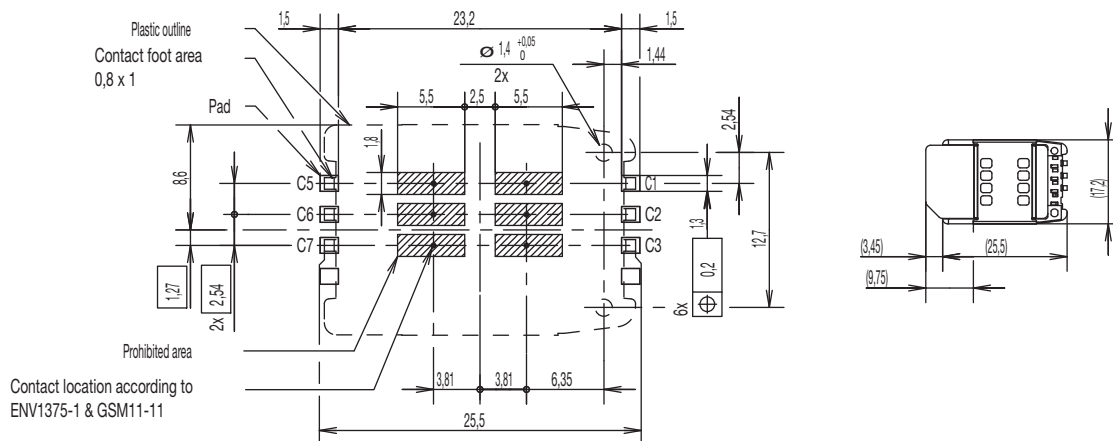


# CCM03 Series

## CCM03-3535 LFT



RECOMMENDED PC BOARD LAYOUT  
(Component side)



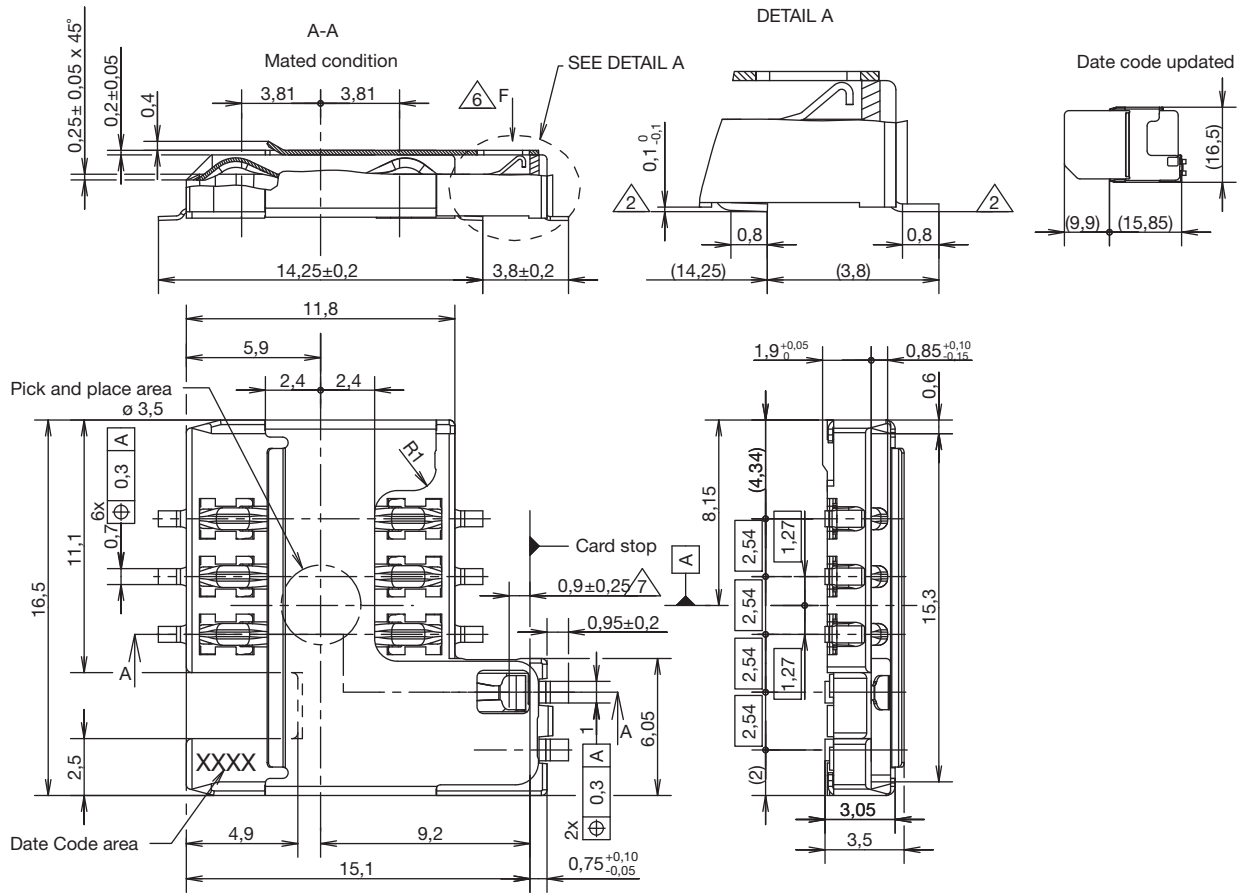
Dimensions are shown in mm  
Specifications and dimensions subject to change

www.ck-components.com

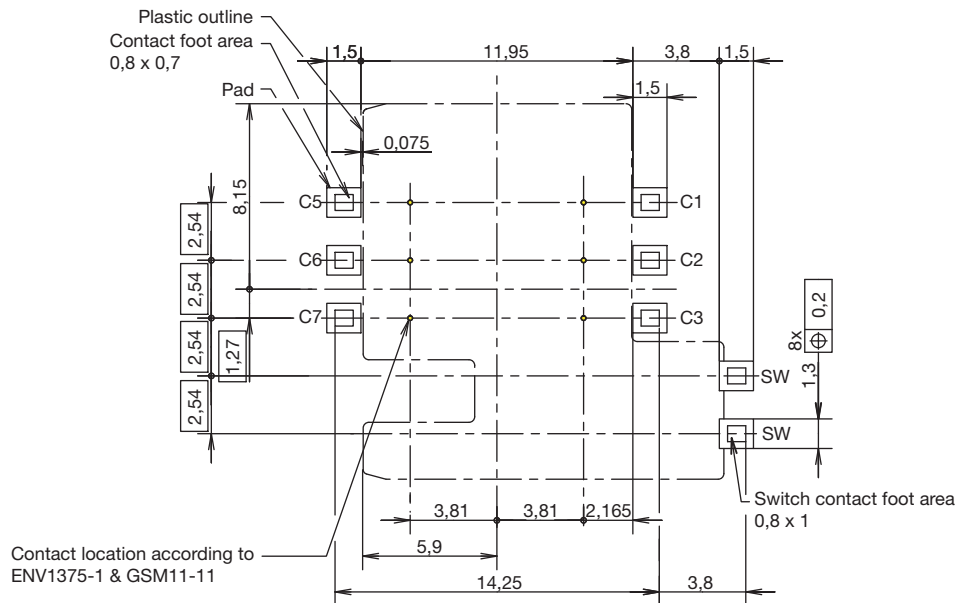
SIM/SAM



## CCM03-3754 LFT



RECOMMENDED PC BOARD LAYOUT  
(Component side)



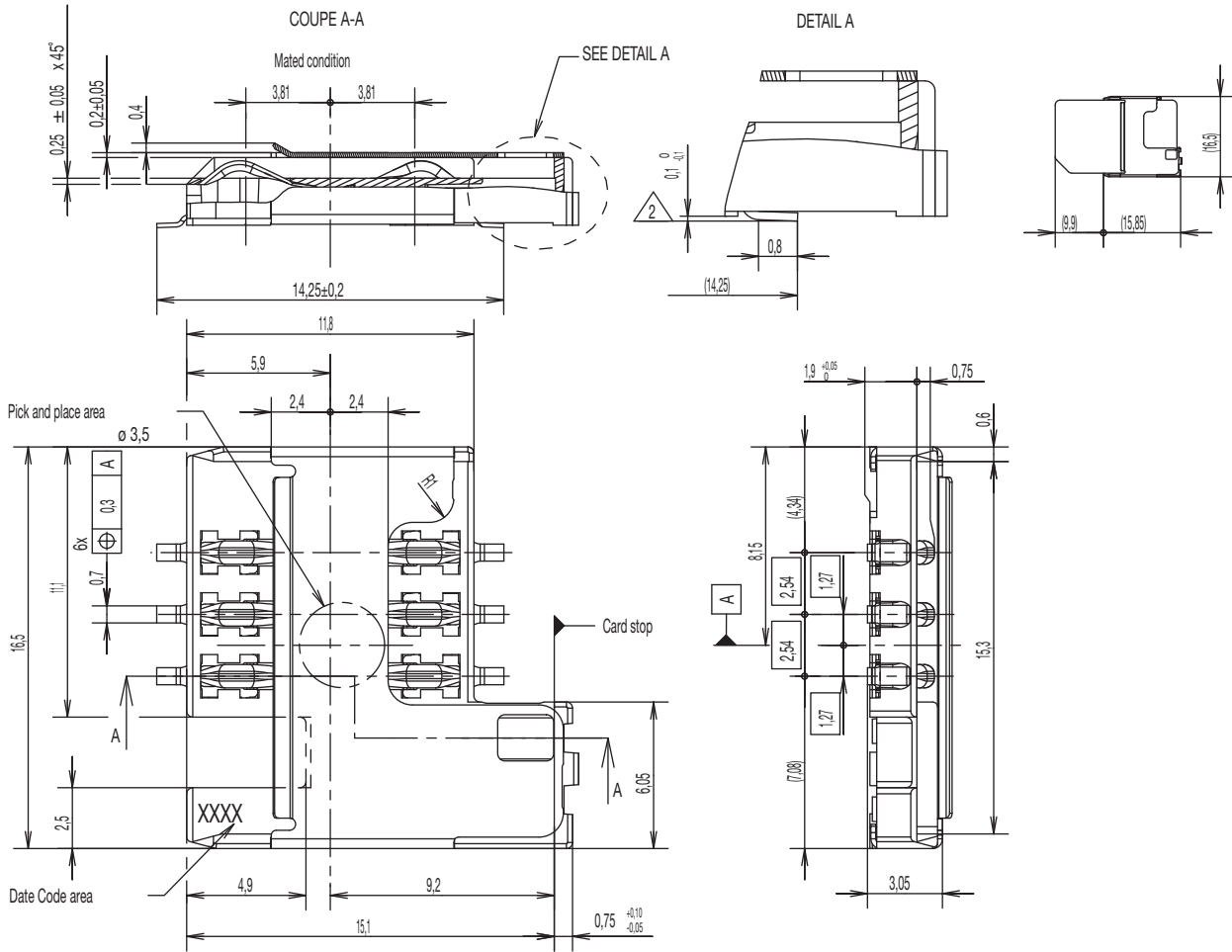
SIM/SAM

# CCM03 Series

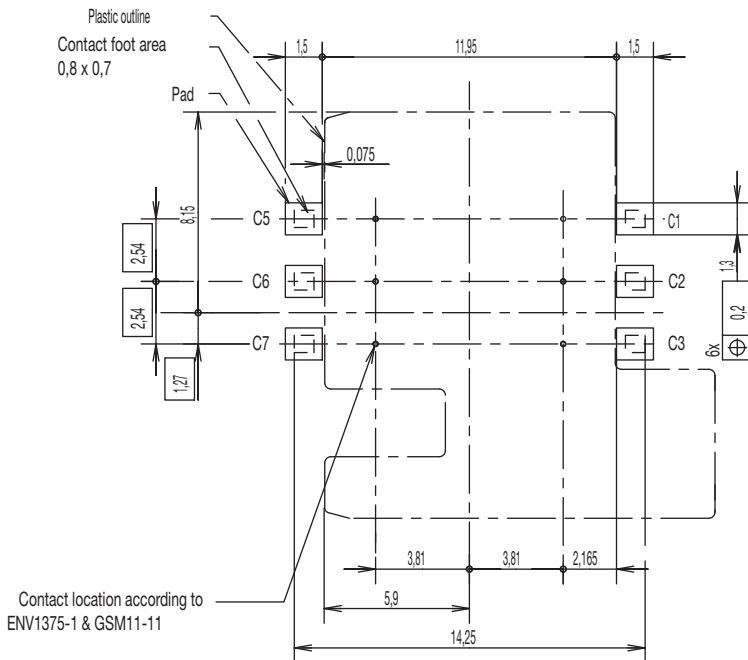
## CCM03-3760 LFT



SIM/SAM



RECOMMENDED PC BOARD LAYOUT  
(Component side)



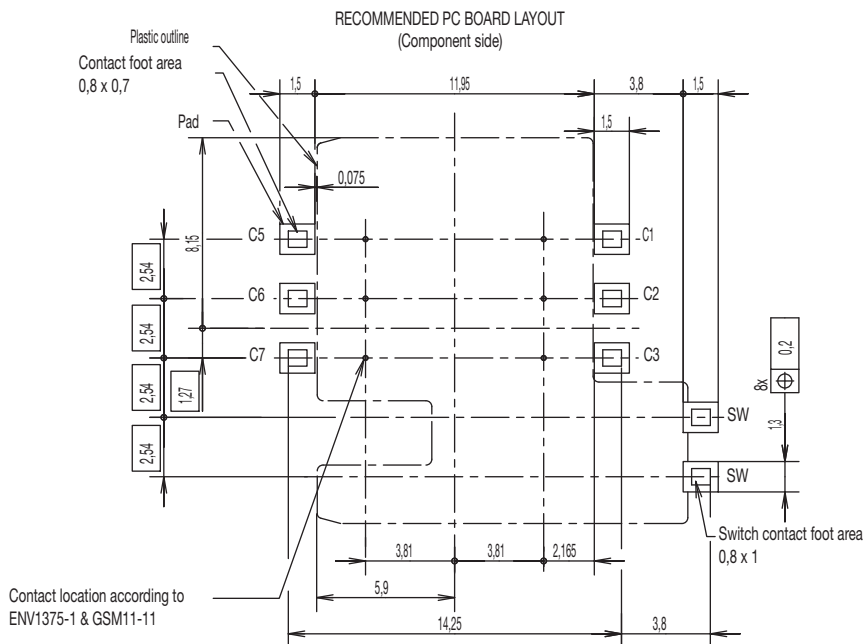
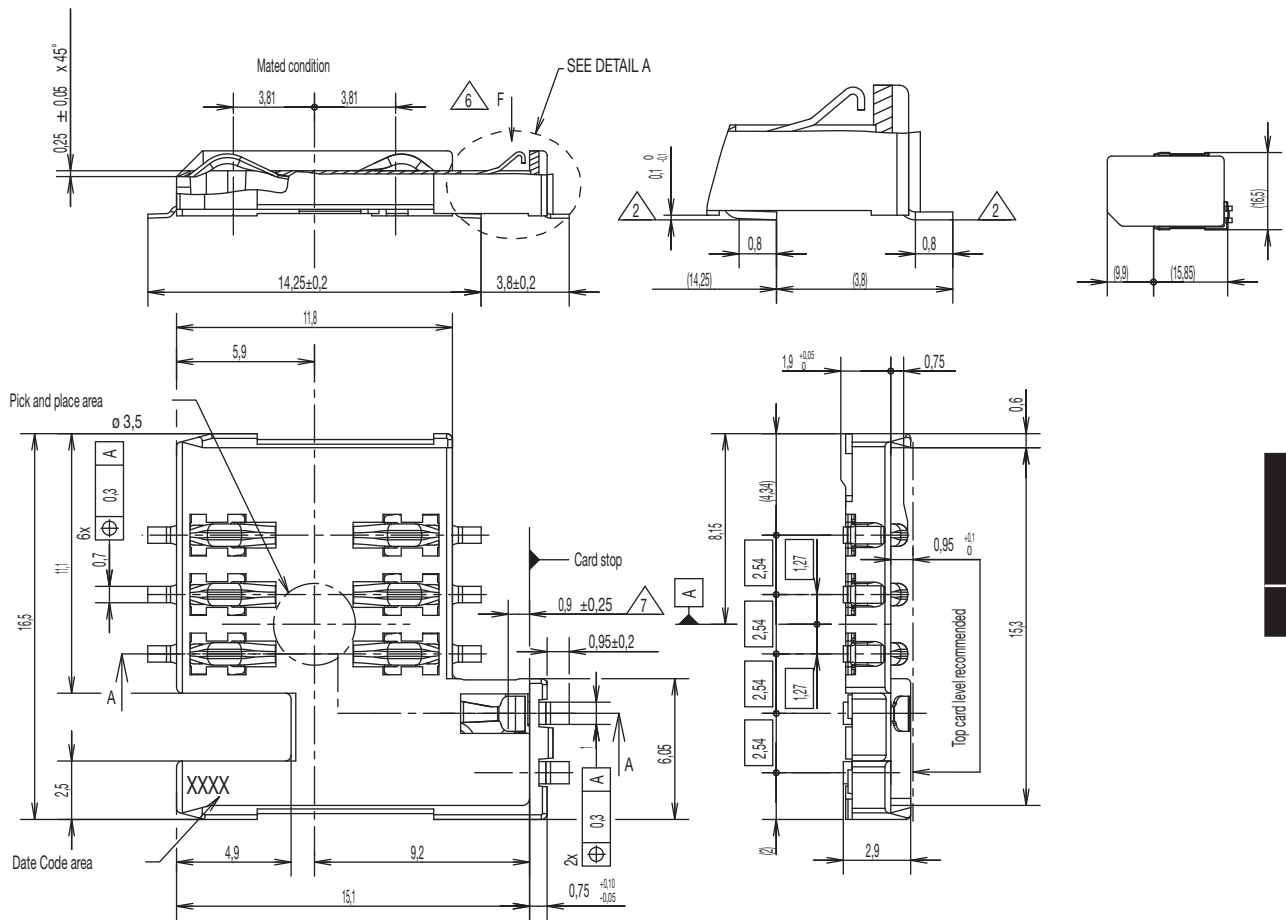
First Angle  
Projection

Dimensions are shown in mm  
Specifications and dimensions subject to change

www.ck-components.com



## CCM03-3764 LFT



**SIM/SAM**



Dimensions are shown in mm  
Specifications and dimensions subject to change

[www.ck-components.com](http://www.ck-components.com)