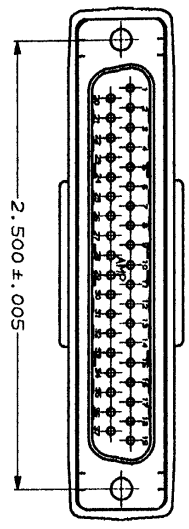
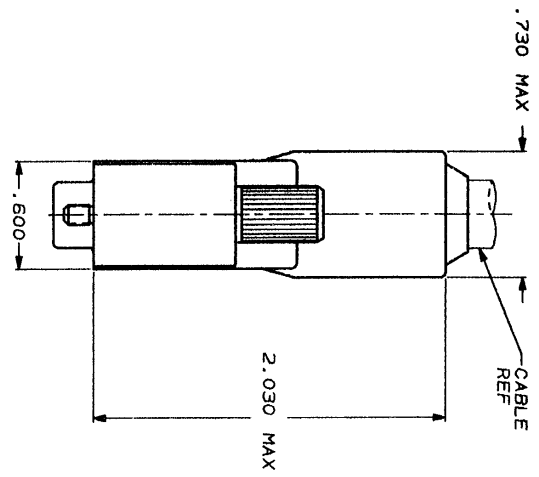
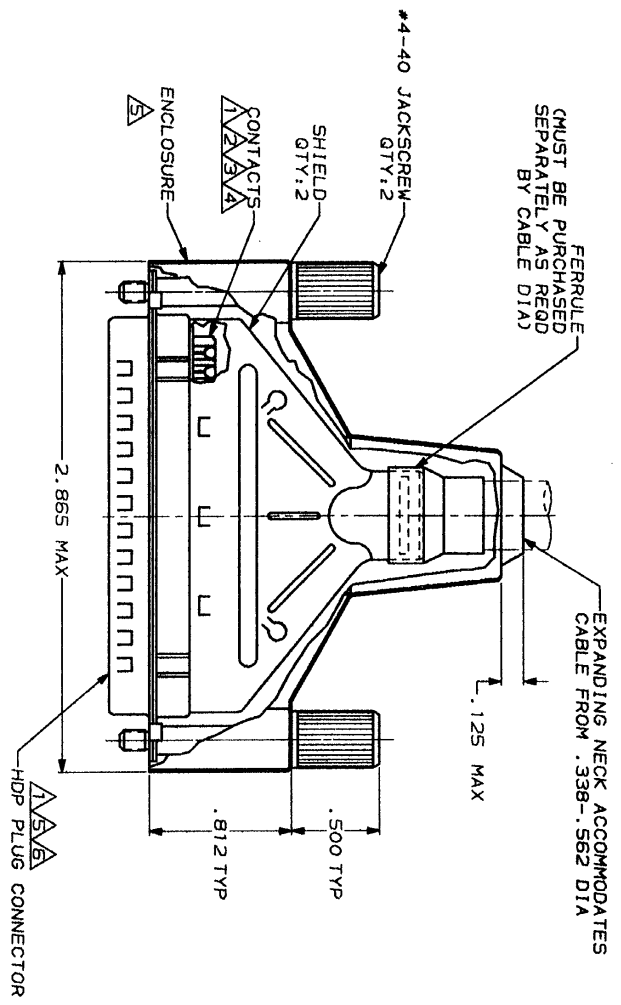


REV. NO.	DATE	DESCRIPTION	BY	CHKD.
2	BD 39			
REVISIONS				
		REV PER ECN B04457	BT	
		REVISED PER ECN B06133	THS	



- 1 PLUG CONNECTOR FULLY LOADED WITH CONTACTS. ALL OTHER PARTS ARE SHIPPED UNASSEMBLED, EACH PART INDIVIDUALLY BULK PACKED.
- 2 PHOSPHOR BRONZE PER QQ-B-750.
- 3 SOLDER CUP WILL ACCOMMODATE 20 AWG MAX WIRE.
- 4 GOLD FLASH FOR LENGTH OF .150 MIN ON MATING END. .000150-.000300 TIN LEAD ON SOLDER END, ALL OVER .000030 NICKEL ON ENTIRE CONTACT.
- 5 FLAME RETARDANT 94V-0 RATED THERMOPLASTIC, BLACK.
- 6 STEEL PER ASTM A109.
- 7 TIN PLATING PER MIL-T-10727.
- 8 ZINC PLATING PER ASTM B633, TYPE II, CLASS SCI, BLACK CHROMATE.

DO NOT SCALE PRINT. UNLESS SPECIFIED DIMENSIONS IN INCHES TOLERANCES ON 1/32 P.L.C. DEC ± .020 ANGLES MATERIAL CONTACTS, SHIELDS & SHIELDS JACKSCREWS, ZINC ALLOY FINISH CONTACTS, SEE TABLE JACKSCREWS, JACKSCREWS.		DR 6-9-90 J GALLUCCI BS	AMP	AMP INCORPORATED
CHK 6-31-90 J HICKLINTON	APPD 9-4-90 BOB TAYLOR	APPD 9-4-90 J ASSINI	PRODUCT SPEC	NAME
BULK KIT, PLUG, AMPLIMITE™ SOLDER CUP, SHIELDING ENCLOSURE, 37 POSN, SIZE 4, HDP-20		SIZE FSCN NO	DRAWING NO	
SCALE 2:1		00779	748052	
WEIGHT				
SHEET				

CONTACT FINISH	748052-1
PART NUMBER	

CUSTOMER DRAWING