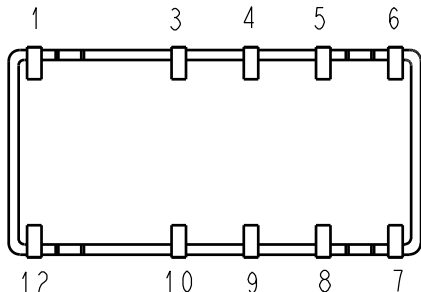
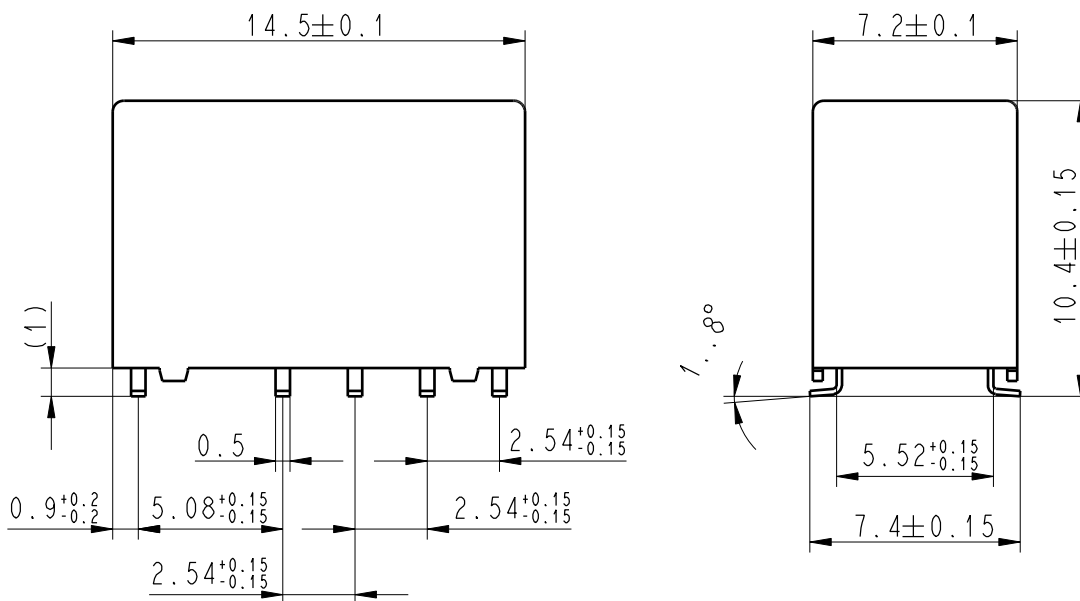


LOC		DIST		REVISIONS			
P	LTR	DESCRIPTION		DATE	DWN	APVD	
HJ	-	A6		Tolerance added	09SEP2009	UKo	HD
		B		Change marking	11SEP2009	UKo	HD
		C		Printing	10MAY2010	UKo	HD
		C1		Printing Date-Code	20AUG2010	UKo	HD



Relay - bottom view



xx = Relay type
YYWWD = Date code

2006

RELEASED FOR PUBLICATION

THIS DRAWING IS UNPUBLISHED.

© COPYRIGHT 2006 BY TYCO ELECTRONICS CORPORATION. ALL RIGHTS RESERVED.

DRAWING ALIAS C23303-A079-A007

DIMENSIONS: mm	DWN	Korytak	02Jun2004	MATERIAL	-	FINISH	-	
	CHK	Korytak	02Jun2004	Tyco Electronics AXICOM AG CZ-54101 Trutnov				
TOLERANCES UNLESS OTHERWISE SPECIFIED: DIN 7168-m	APVD	Korytak	02Jun2004					NAME
	0 PLC	±-	PRODUCT SPEC	SIZE	CAGE CODE	DRAWING NO	RESTRICTED TO	
1 PLC	±	-	APPLICATION SPEC	A4	00779	©=1393788-6	-	
2 PLC	±	-	WEIGHT	CUSTOMER DRAWING				SCALE 4:1
3 PLC	±	-	-	SHEET 1 OF 1				REV C1
4 PLC	±	-	-	TE 30JUL2007 ProE				
ANGLES	±-	-	-	Downloaded from Elcodis.com electronic components distributor				