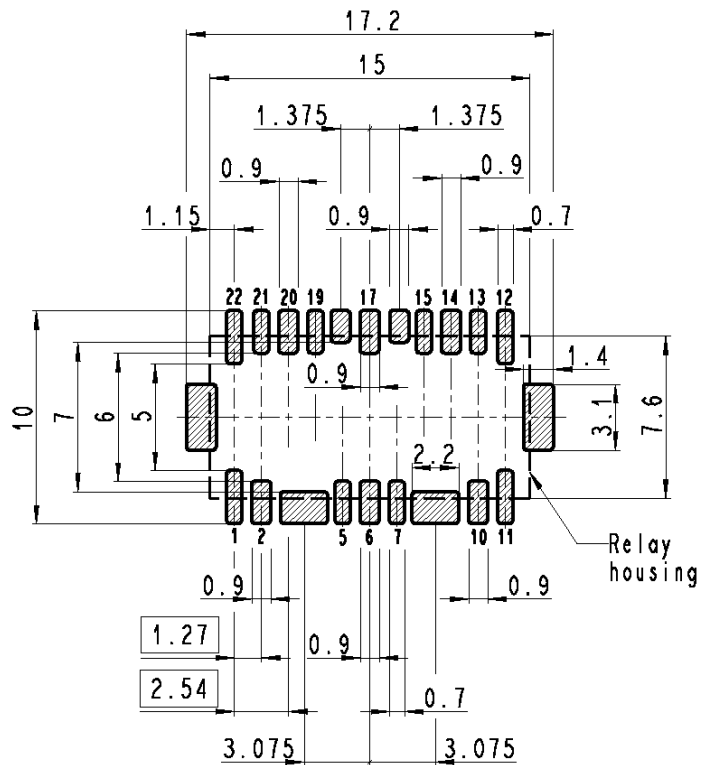
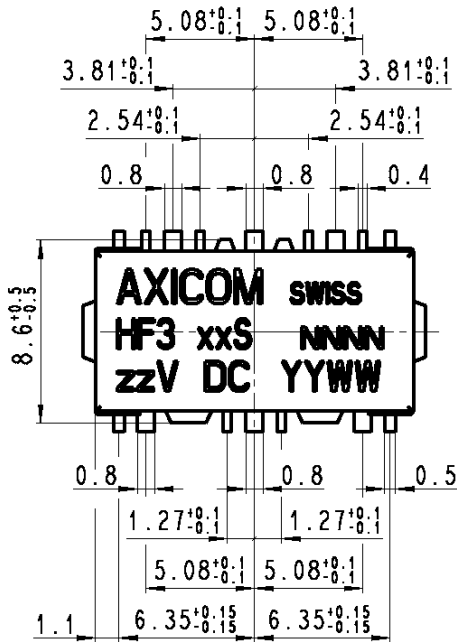
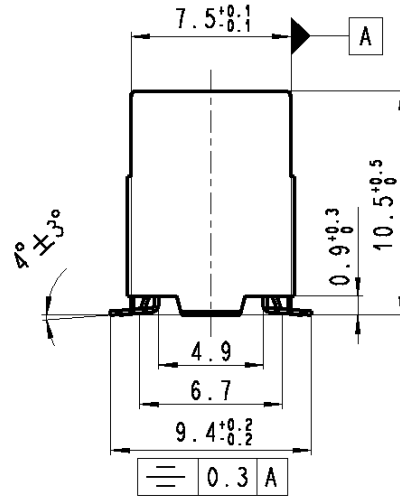
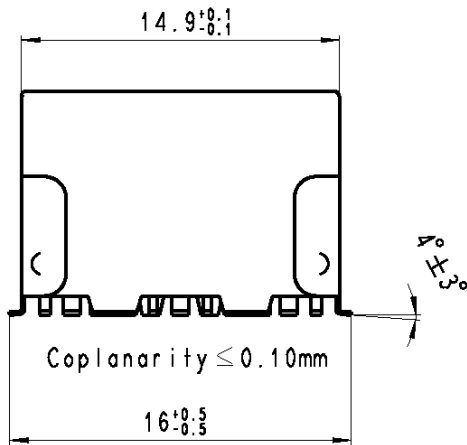

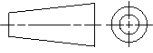


LOC	DIST	REVISIONS			DATE	DWN	APVD
HJ	-	P	LTR	DESCRIPTION	25MAR11	RK	HMR
		F1		REVISED PER ECO-11-005150			



XX = Relay type
 ZZ = nominal voltage
 YYWW = Date code
 NNNN = Lot number

THIS DRAWING IS UNPUBLISHED. ALL RIGHTS RESERVED. BY - © COPYRIGHT

DIMENSIONS: mm		DWN UKo 9193 26Jan2007	MATERIAL	DRAWING ALIAS	
TOLERANCES UNLESS OTHERWISE SPECIFIED: DIN 7168-m		CHK HD 9121 26Jan2007		FINISH	
0 PLC ±-		APVD HD 9121 26Jan2007	 TE Connectivity		
1 PLC ±-		PRODUCT SPEC			
2 PLC ±-		APPLICATION SPEC	NAME HF3-Relay metal cover 50Ω Dimensions		
3 PLC ±-			SIZE	CAGE CODE	DRAWING NO
4 PLC ±-			A4	00779	©=1462051-3
ANGLES ±1°		WEIGHT	RESTRICTED TO		
		CUSTOMER DRAWING	SCALE 3:1	SHEET 1 OF 1	REV F1