

NOTES :  
 PRODUCT SPECIFICATION : GS-12-308  
 PACKAGING SPECIFICATION : EUR-14-008  
 APPLICATION SPECIFICATION : GS-20-050

Material:  
 1-Terminal block : 30% glass filled Polyamide  
 2-Shroud : 30% glass filled Polyamide  
 3-Covers : Zinc alloy  
 4- Terminal : Bronze ,Tin plated  
 5-Screw, Thumb screw : Steel  
 6-Tie wrap : Steel  
 7-Inner ferule : Copper ,Tin plated  
 8-Outer ferule : Copper ,Tin plated

RoHs INFORMATIONS  
 -This product meets European Union Directives and other countries regulations as discribed in GS-22-008  
 -Packaging spec : GS-14-920



Performance Level	
10074494-1xxLF	Telcordia CO.
10074494-2xxLF	Customer Special

rev	ecn no	dr	date
A	LS07-0053	MLE	2007/02/26
B	LS08-0025	JTA	2008/01/25
-	-	-	-
-	-	-	-
-	-	-	-
-	-	-	-

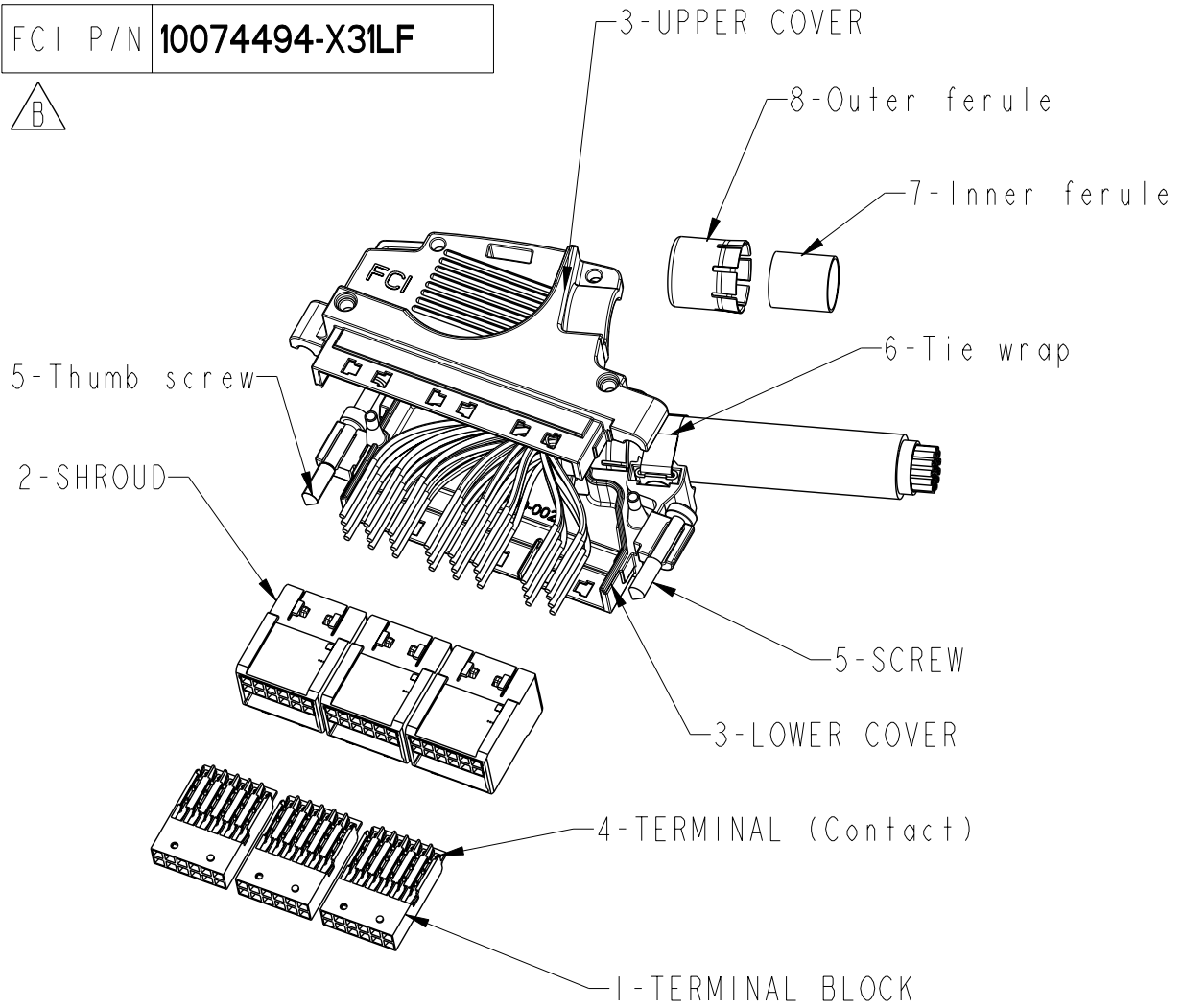


Copyright FCI.

www.fciconnect.com			surface - <input checked="" type="checkbox"/> ISO 1302	tolerance std ISO 406 ISO 1101	projection	mm
			TOLERANCES UNLESS OTHERWISE SPECIFIED			
Dr	MLENOIR	2006/11/15	ANGULAR	LINEAR	0.X	±0.3
Eng	MLENOIR	2006/11/15			0.XX	±0.1
Chr	--	--	0° ±2°		0.XXX	±0.05
Appr	--	--	Product family		-	Spec ref RELEASED
		title SOFIX IMPALA SHIELDED 72pos CABLE CONNECTOR			dwg no 10074494C	
catalog no		-			CUSTOMER sheet 1 of 3	
				Rev. B		

REV F - 2006-04-17

FCI P/N **10074494-X31LF**



Copyright FCI.

www.fciconnect.com			surface - <input checked="" type="checkbox"/> ISO 1302		tolerance std ISO 406 ISO 1101		projection	mm
TOLERANCES UNLESS OTHERWISE SPECIFIED								
Dr	MLENOIR	2006/11/15	ANGULAR	LINEAR	0.X	±0.3	size A4	Scale 1:1
Eng	MLENOIR	2006/11/15			0.XX	±0.1		
Chr	--	--			0° ±2°	0.XXX	±0.05	ECN LS08-0025
Appr	--	--	Product family			-	Spec ref	RELEASED
		Title SOFIX IMPALA SHIELDED 72po S				10074494C		Rev. B
catalog no		-				CUSTOMER		sheet 2 of 3

REV F - 2006-04-17

PDM: Rev:B

STATUS:Released

Printed: Aug 01, 2010

LEAD FREE PRODUCT B.O.M

DESCRIPTION	PRODUCT NUMBER	CABLE TYPE	AWG*
KIT	10074494-x3ILF	Cable TEN4803402-032	
Upper cover	1		
Lower cover	1		
Screw M2.5x15	1		
Thumb screw M2.5	1		
Shroud	3		
Terminal Block 12pos	3		26
Terminal Block 12pos	3		26
Outer ferule	1		
Inner ferule	1		
SS Tie wrap	1		



Dimension with oval around are critical dimensions including any attached geometrical tolerance. Other features or stand-alone geometrical tolerances being critical have a note "CRITICAL FEATURE" below the item

A symbol (x: drawing current revision) will be next to any dimension, view or note which has been modified with the current drawing revision



Copyright FCI.

www.fciconnect.com			surface ISO 1302	-	tolerance std ISO 406 ISO 1101	projection 	mm 	
			TOLERANCES UNLESS OTHERWISE SPECIFIED					
Dr	MLENOIR	2006/11/15	ANGULAR	LINEAR	0.X	±0.3	size A4	Scale 1:2
Eng	MLENOIR	2006/11/15			0.XX	±0.1		
Chr	--	--	0° ±2°		0.XXX	±0.05	ECN	LS08-0025
Appr	--	--	Product family			-	Spec ref	RELEASED
		title SOFIX IMPALA SHIELDED 72pos CABLE CONNECTOR			dwg no 10074494C		Rev. B	
catalog no		-			CUSTOMER		sheet 3 of 3	

REV F - 2006-04-17