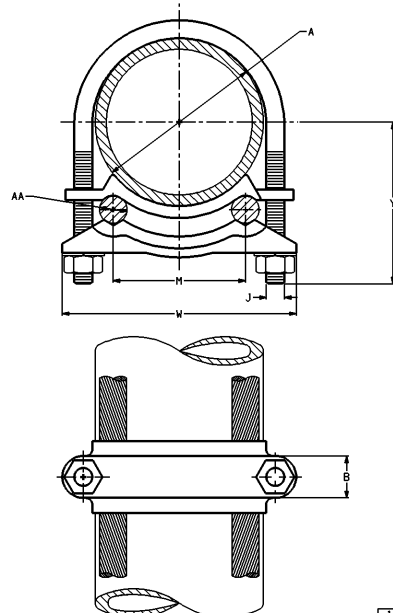


NOMINAL DIAMETER (IN)		I.P.S. PIPE ACTUAL DIA. (IN) (MM)		ROD NOMINAL DIAMETER (IN) (MM)		AWG MIN MAX		METRIC WIRE SIZE MIN MAX		CATALOG NUMBER	B	J	H	W	Y	"U" BOLT	TORQUE LB*IN (Nmm)
3"	3.500	[89]	3"	3.00	[76]	#4 SOL (.204 DIA)	2/0 STR (.416 DIA)	25mm <sup>2</sup> STR(6.5)	50mm <sup>2</sup> STR(9.3)								
3"	3.500	[89]	3"	3.00	[76]	2/0 SOL (.365 DIA)	250 kcmil (.575 DIA)	70mm <sup>2</sup> STR(10.9)	120mm <sup>2</sup> STR(14.4)	6D2029	1.50 [38]	3/8" [10]	2.88 [73]	4.81 [118]	3.38 [83]	258	240 [27.0]
3"	3.500	[89]	3"	3.00	[76]	300 kcmil (.630 DIA)	500 kcmil (.814 DIA)	185mm <sup>2</sup> STR(17.8)	240mm <sup>2</sup> STR(20.3)	6D2034	1.56 [40]	1/2" [13]	2.31 [59]	5.31 [130]	4.00 [98]	282	480 [54.1]
3"	3.500	[89]	3"	3.00	[76]	550 kcmil (.855 DIA)	750 kcmil (.998 DIA)	300mm <sup>2</sup> STR(22.6)	400mm <sup>2</sup> STR(26.1)	6D2039	1.88 [48]	5/8" [16]	2.31 [59]	5.31 [130]	4.13 [101]	---	660 [74.4]
3"	3.500	[89]	3"	3.00	[76]	800 kcmil (1.031 DIA)	1000 kcmil (1.152 DIA)	400mm <sup>2</sup> STR(26.1)	500mm <sup>2</sup> STR(28.3)	6D2044	2.00 [51]	5/8" [16]	2.31 [59]	5.31 [130]	4.25 [104]	---	660 [74.4]
3 1/2"	4.000	[102]	3 1/2"	3.50	[89]	#8 SOL (.129 DIA)	#4 STR (.232 DIA)	10mm <sup>2</sup> SOL(2.6)	16mm <sup>2</sup> STR(5.1)	6D2140	1.44 [37]	3/8" [10]	2.31 [59]	5.31 [130]	3.75 [92]	264	240 [27.0]
3 1/2"	4.000	[102]	3 1/2"	3.50	[89]	#4 SOL (.204 DIA)	2/0 STR (.416 DIA)	25mm <sup>2</sup> STR(6.5)	50mm <sup>2</sup> STR(9.3)	6D2126	1.50 [38]	3/8" [10]	2.31 [59]	5.31 [130]	3.75 [92]	264	240 [27.0]
3 1/2"	4.000	[102]	3 1/2"	3.50	[89]	2/0 SOL (.365 DIA)	250 kcmil (.575 DIA)	70mm <sup>2</sup> STR(10.9)	120mm <sup>2</sup> STR(14.4)	6D2128	1.50 [38]	3/8" [10]	2.31 [59]	5.31 [130]	3.75 [92]	264	240 [27.0]
3 1/2"	4.000	[102]	3 1/2"	3.50	[89]	300 kcmil (.630 DIA)	500 kcmil (.814 DIA)	185mm <sup>2</sup> STR(17.8)	240mm <sup>2</sup> STR(20.3)	6D2134	1.56 [40]	1/2" [13]	3.13 [80]	5.69 [139]	3.25 [80]	436	480 [54.1]
3 1/2"	4.000	[102]	3 1/2"	3.50	[89]	550 kcmil (.855 DIA)	750 kcmil (.998 DIA)	300mm <sup>2</sup> STR(22.6)	400mm <sup>2</sup> STR(26.1)	6D2139	1.88 [48]	5/8" [16]	2.88 [73]	6.06 [148]	4.88 [120]	373	660 [74.4]
3 1/2"	4.000	[102]	3 1/2"	3.50	[89]	800 kcmil (1.031 DIA)	1000 kcmil (1.152 DIA)	400mm <sup>2</sup> STR(26.1)	500mm <sup>2</sup> STR(28.3)	6D2144	2.00 [51]	5/8" [16]	2.75 [70]	6.06 [148]	4.88 [120]	373	660 [74.4]
4"	4.500	[114]	4"	4.00	[102]	#8 SOL (.129 DIA)	#4 STR (.232 DIA)	10mm <sup>2</sup> SOL(2.6)	16mm <sup>2</sup> STR(5.1)	6D224C	1.56 [40]	3/8" [10]	4.19 [106]	5.94 [146]	3.69 [90]	261	240 [27.0]
4"	4.500	[114]	4"	4.00	[102]	#4 SOL (.204 DIA)	2/0 STR (.416 DIA)	25mm <sup>2</sup> STR(6.5)	50mm <sup>2</sup> STR(9.3)	6D2226	1.63 [41]	3/8" [10]	3.75 [95]	5.81 [142]	3.69 [90]	261	240 [27.0]
4"	4.500	[114]	4"	4.00	[102]	300 kcmil (.630 DIA)	500 kcmil (.814 DIA)	150mm <sup>2</sup> STR(18.0)	240mm <sup>2</sup> STR(20.3)	6D2229	1.63 [41]	3/8" [10]	3.69 [94]	5.81 [142]	3.69 [90]	261	240 [27.0]
4"	4.500	[114]	4"	4.00	[102]	550 kcmil (.855 DIA)	750 kcmil (.998 DIA)	300mm <sup>2</sup> STR(22.6)	400mm <sup>2</sup> STR(26.1)	6D2234	1.38 [35]	1/2" [13]	3.31 [84]	6.19 [152]	4.00 [98]	262	480 [54.1]
4"	4.500	[114]	4"	4.00	[102]	800 kcmil (1.031 DIA)	1000 kcmil (1.152 DIA)	400mm <sup>2</sup> STR(26.1)	500mm <sup>2</sup> STR(28.3)	6D2239	1.88 [48]	5/8" [16]	3.63 [92]	6.56 [161]	4.13 [101]	377	660 [74.4]
4"	4.500	[114]	4"	4.00	[102]	800 kcmil (1.031 DIA)	1000 kcmil (1.152 DIA)	400mm <sup>2</sup> STR(26.1)	500mm <sup>2</sup> STR(28.3)	6D2244	2.00 [51]	5/8" [16]	3.25 [83]	6.56 [161]	4.13 [101]	377	660 [74.4]
1/2" OR 3/4"	.640 OR 1.050	[21] OR [27]	7/8" OR 1"	.875 OR .25	[22] OR [25]	#8 SOL (.129 DIA)	#4 STR (.232 DIA)	10mm <sup>2</sup> SOL(2.6)	16mm <sup>2</sup> STR(5.1)	6D114C	1.13 [29]	5/8" [16]	3.25 [83]	2.38 [58]	1.75 [43]	222	650 [74.4]
6"	6.625	[168]	-	-	-	#4 SOL (.204 DIA)	2/0 STR (.416 DIA)	25mm <sup>2</sup> STR(6.5)	50mm <sup>2</sup> STR(9.3)	6D8626	1.63 [41]	1/2" [13]	6.03 [153]	6.19 [152]	4.31 [106]	275	480 [54.1]
-	-	-	3/4"	.75	[19]	300 kcmil (.630 DIA)	500 kcmil (.814 DIA)	150mm <sup>2</sup> STR(18.0)	240mm <sup>2</sup> STR(20.3)	6D6434	1.56 [40]	1/2" [13]	1.00 [25]	3.59 [88]	3.69 [90]	302	480 [54.1]



- NOTES:
- MATERIAL: CAST COPPER ALLOY, DURIUM #6 (U-BOLT, HEX NUTS & S.P.L.W.).
  - UL 467 LISTED, FILE NO. E9999. ACCEPTABLE FOR DIRECT BURIAL.
  - SUITABLE FOR BURIAL IN GROUND OR CONCRETE.
  - DIMENSIONS IN BRACKETS [ ] ARE IN MILLIMETERS, ROUNDED OFF TO THE NEAREST MILLIMETER, UNLESS OTHERWISE NOTED, AND ARE FOR REFERENCE ONLY.

GROUND CONNECTOR	
PAT NO. 60- (TABLE)	SCALE
DESIGNER: R. ROSSIGALLI	1/24/74 (REVISED)
DESIGN APPROV.: G. DI TORO	11/17/80 (REV. APPROV.)
DRAWING APPROV.: A. LLOYD	12/2/80 (REV. APPROV. & MOD)
2D FILE: SD13775-SHT02	PL. NO. N/A
U.S. ELECTRICAL DIVISION HANCOCK, NH 03108	
REV. 13	DATE 5/24/84
DESCRIPTION	DESCRIPTION
BY KFM	BY KFM
REV. 1	DATE 5/24/84
DESCRIPTION	DESCRIPTION
BY KFM	BY KFM
REV. 2	DATE 5/24/84
DESCRIPTION	DESCRIPTION
BY KFM	BY KFM
REV. 3	DATE 5/24/84
DESCRIPTION	DESCRIPTION
BY KFM	BY KFM
REV. 4	DATE 5/24/84
DESCRIPTION	DESCRIPTION
BY KFM	BY KFM
REV. 5	DATE 5/24/84
DESCRIPTION	DESCRIPTION
BY KFM	BY KFM