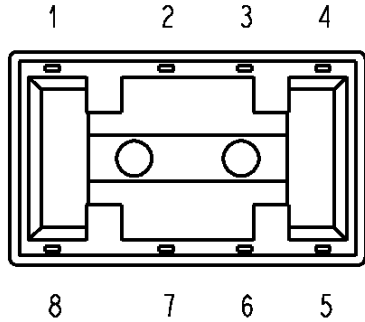
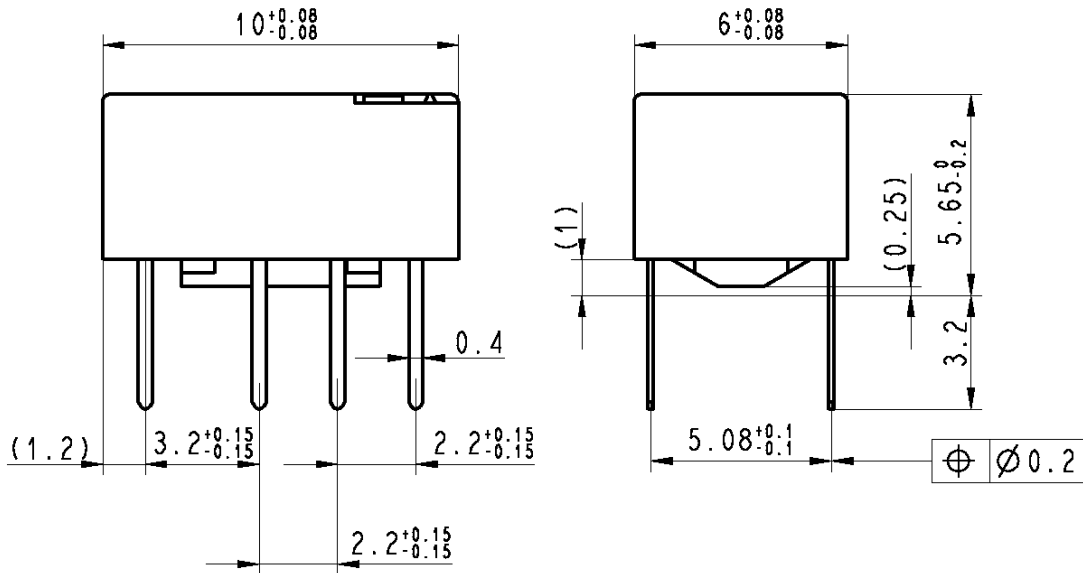


LOC	DIST	REVISIONS					
HJ	-	P	LTR	DESCRIPTION	DATE	DWN	APVD
		A8		REVISED PER ECO-11-005150	25MAR11	RK	HMR



Relay - bottom view



XX = Relay type  
 ZZ = nominal voltage  
 YYWW = Date code

THIS DRAWING IS UNPUBLISHED. ALL RIGHTS RESERVED. © COPYRIGHT BY

DRAWING ALIAS E2002-DOK02

DIMENSIONS: mm	DWN	28Aug1998	MATERIAL	FINISH
	UKo 9193		-	-
TOLERANCES UNLESS OTHERWISE SPECIFIED: DIN 7168-m	CHK	28Aug1998	<b>TE</b> TE Connectivity	
	HD 9121			
0 PLC ±- 1 PLC ±- 2 PLC ±- 3 PLC ±- 4 PLC ±- ANGLES ±-	APVD	28Aug1998	NAME IM-Relay THT (Standard) Dimensions	
	HD 9121		SIZE	CAGE CODE
	PRODUCT SPEC	-	DRAWING NO	RESTRICTED TO
	APPLICATION SPEC	-	A4	00779
	WEIGHT	-	C-1462037-4	
CUSTOMER DRAWING			SCALE	SHEET
			5:1	1 OF 1
				REV A8

