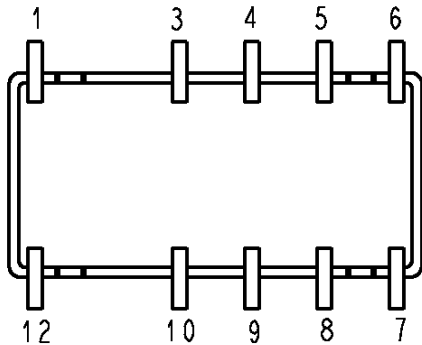
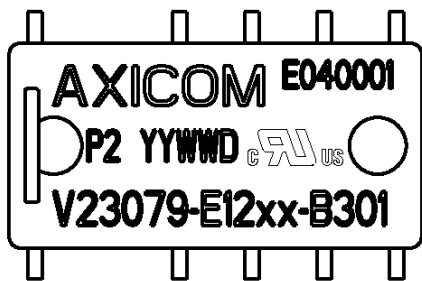
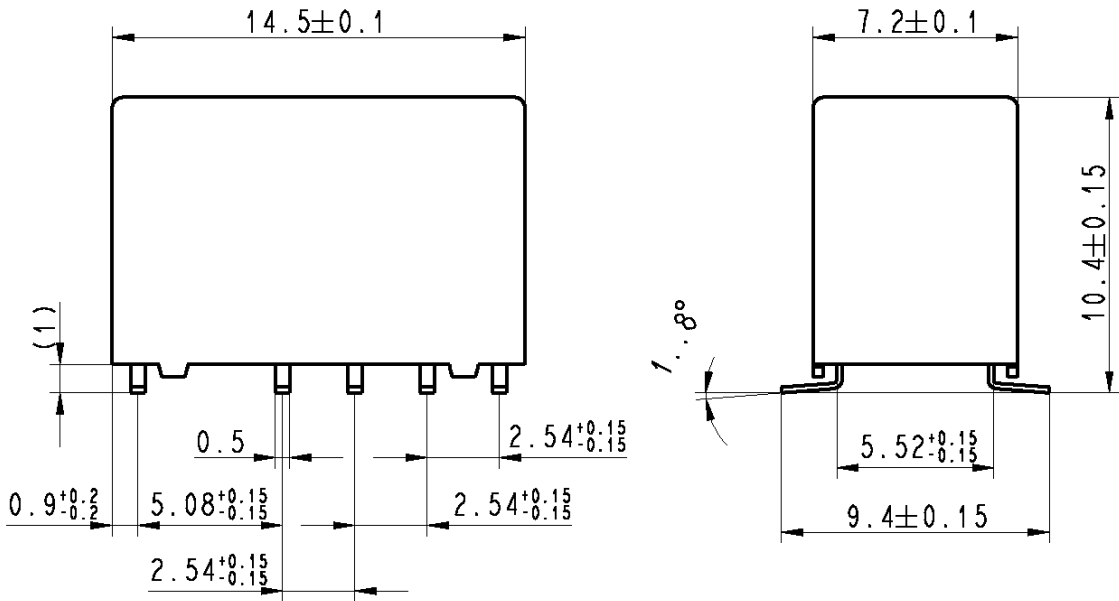


LOC	DIST	REVISIONS					
HJ	-	P	LTR	DESCRIPTION	DATE	DWN	APVD
		C2		REVISED PER ECO-11-005150	25MAR11	RK	HMR



Relay - bottom view



xx = Relay type
YYWW = Date code

THIS DRAWING IS UNPUBLISHED. ALL RIGHTS RESERVED. BY -

DIMENSIONS: mm	DWN	02Jun2004	MATERIAL	-	FINISH	-	
	CHK	02Jun2004	TE Connectivity				
TOLERANCES UNLESS OTHERWISE SPECIFIED: DIN 7168-m	Korytak	02Jun2004					
0 PLC ±-	APVD	02Jun2004	NAME P2-Relay SMT W Dimensions				
1 PLC ±	Korytak						
2 PLC ±	PRODUCT SPEC	-	SIZE	A4	CAGE CODE	00779	
3 PLC ±	APPLICATION SPEC	-	DRAWING NO	C-1393788-7		RESTRICTED TO	
4 PLC ±	WEIGHT	-	CUSTOMER DRAWING				
ANGLES ±-			SCALE	4:1	SHEET	1 OF 1	
						REV	C2