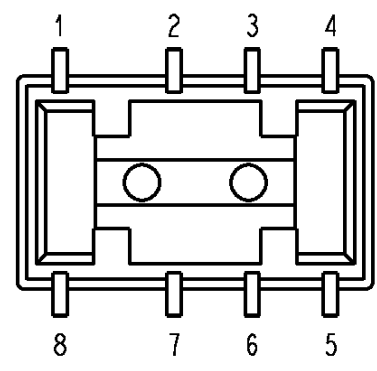
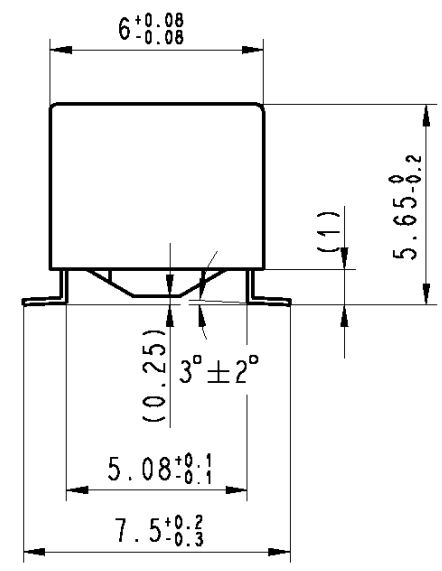
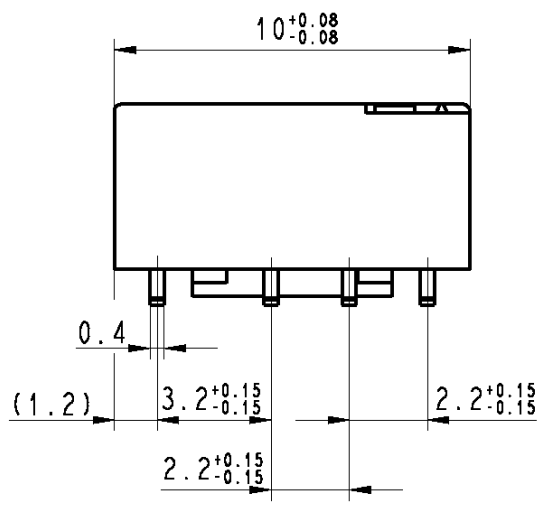


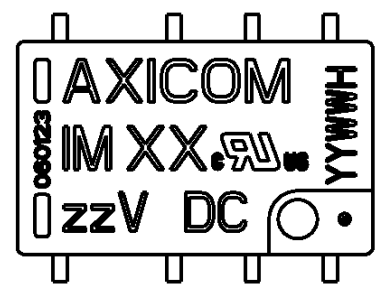
LOC HJ	DIST -	REVISIONS					
		P	LTR	DESCRIPTION	DATE	DWN	APVD
			A8	REVISED PER ECO-11-005150	25MAR11	RK	HMR



Relay - bottom view



Coplanarity < 0.10mm



XX = Relay type  
 zz = nominal voltage  
 YYWW = Date code

THIS DRAWING IS UNPUBLISHED. ALL RIGHTS RESERVED. BY -

DIMENSIONS: mm  TOLERANCES UNLESS OTHERWISE SPECIFIED: DIN 7168-m  0 PLC ± 1 PLC ± 2 PLC ± 3 PLC ± 4 PLC ± ANGLES ±	DWN UKo 9193 20Jan1999 CHK HD 9121 20Jan1999 APVD HD 9121 20Jan1999	MATERIAL	FINISH
	PRODUCT SPEC APPLICATION SPEC WEIGHT	<b>TE</b> TE Connectivity	
NAME IM-Relay SMT Gull Wings Dimensions		SIZE A4	CAGE CODE 00779
CUSTOMER DRAWING		DRAWING NO C-1462037-2	RESTRICTED TO -
SCALE 5:1		SHEET 1 OF 1	REV A8