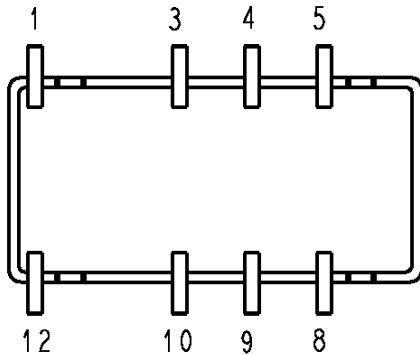
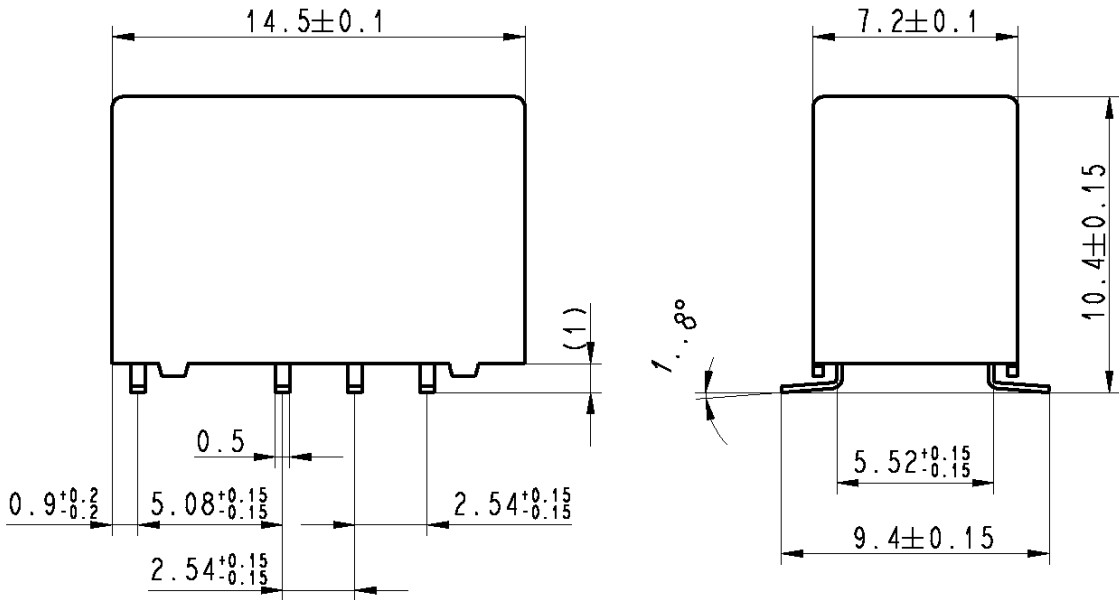


LOC	DIST	REVISIONS					
HJ	-	P	LTR	DESCRIPTION	DATE	DWN	APVD
		C2		REVISED PER ECO-11-005150	25MAR11	RK	HMR



Relay - bottom view



xxxxx = Relay type
YYWW = Date code

THIS DRAWING IS UNPUBLISHED.
 ALL RIGHTS RESERVED.
 BY -
 © COPYRIGHT

DRAWING ALIAS C23303-A079-A004

DIMENSIONS: mm TOLERANCES UNLESS OTHERWISE SPECIFIED: DIN 7168-m 0 PLC ±- 1 PLC ± 2 PLC ± 3 PLC ± 4 PLC ± ANGLES ±-	DWN Korytak 02Jun2004 CHK Korytak 02Jun2004 APVD Korytak 02Jun2004	MATERIAL - FINISH -
	PRODUCT SPEC - APPLICATION SPEC - WEIGHT -	TE Connectivity NAME P2-Relay SMT W Dimensions SIZE A4 CAGE CODE 00779 DRAWING NO C-1393788-4 RESTRICTED TO -
CUSTOMER DRAWING		SCALE 4:1 SHEET 1 OF 1 REV C2