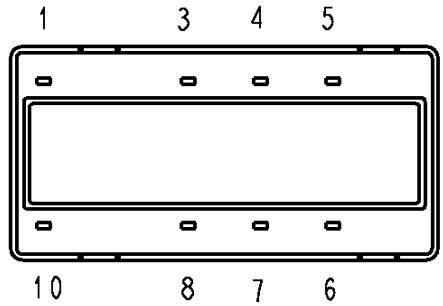
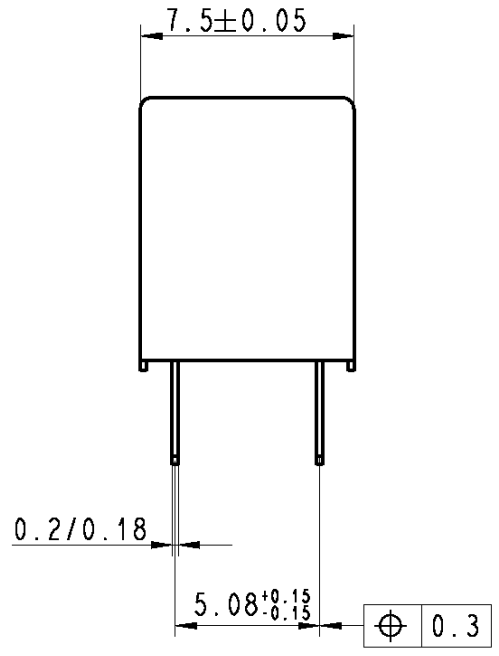
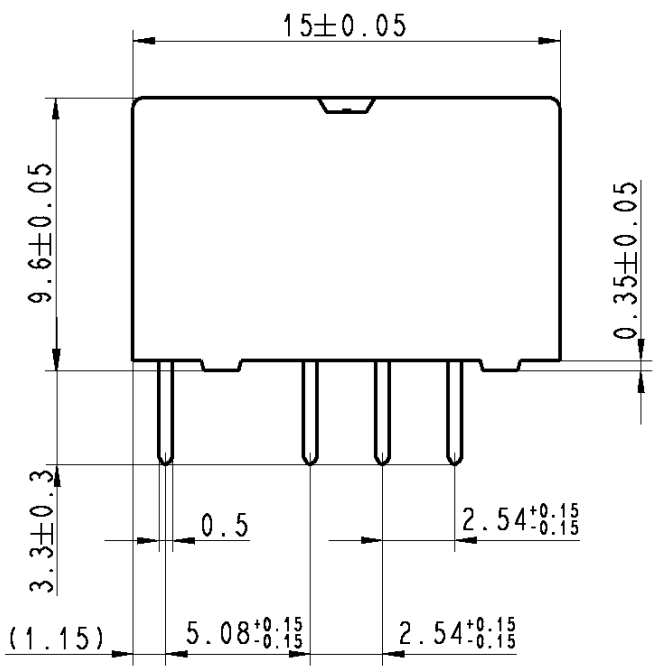


LOC	DIST	REVISIONS			
P	LTR	DESCRIPTION	DATE	DWN	APVD
HJ	-	A5	REVISED PER ECO-11-005150	28MAR11	RK HMR



Relay - bottom view



AXICOM **US**
FT2 **Dxxxx**
zzV= **YYWW**

xxxx = Relay type
 zz = nominal voltage
 YYWW = Date code

THIS DRAWING IS UNPUBLISHED. ALL RIGHTS RESERVED.

DRAWING ALIAS D3701-DOK51

DIMENSIONS: mm	DWN CW 9196	26Mar1998	MATERIAL	-	FINISH	-
	CHK EG 9192	26Mar1998				
TOLERANCES UNLESS OTHERWISE SPECIFIED: DIN 7168-m	APVD HD 9121	26Mar1998				
0 PLC ±- 1 PLC ±- 2 PLC ±- 3 PLC ±- 4 PLC ±- ANGLES ±-	PRODUCT SPEC	-	NAME FT2-Relay THT Dimensions			
	APPLICATION SPEC	-	SIZE	CAGE CODE	DRAWING NO	RESTRICTED TO
	WEIGHT	-	A4	00779	C-1462035-1	-
CUSTOMER DRAWING			SCALE	4:1	SHEET 1 OF 1	REV A5

