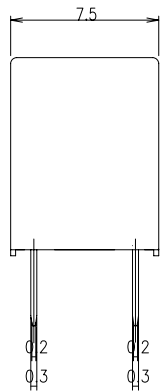
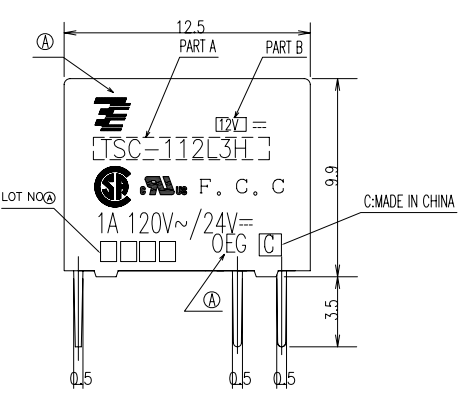
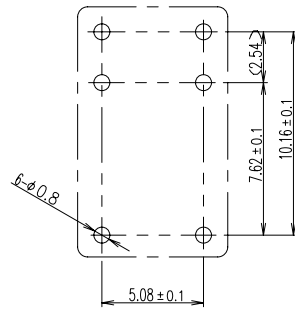


THIS DRAWING IS UNPUBLISHED. RELEASED FOR PUBLICATION
 © COPYRIGHT BY TYCO ELECTRONICS CORPORATION. ALL RIGHTS RESERVED.

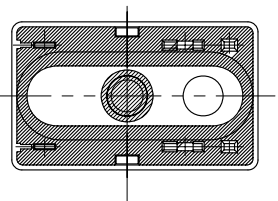
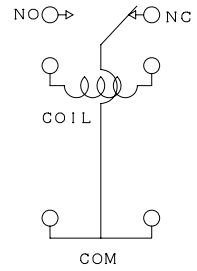
LOC		DIST		REVISIONS					
P	LTR	DESCRIPTION		ECN	DATE	DWN	APVD		
	A	CHANGE DATE CODE		ECO-08-007851	11-OCT-08	Z.Z	B.H.Y		



DRILLING DIAGRAM (BOTTOM VIEW)



CONNECTION DIAGRAM (BOTTOM VIEW)



GENERAL TOLERANCE

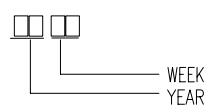
DIAGRAM DIMENSION	TOLERANCE
0.99mm max.	±0.1mm
1 - 2.99mm	±0.2mm
3mm min.	±0.3mm

THIS DRAWING IS A CONTROLLED DOCUMENT FOR TYCO ELECTRONICS CORPORATION. IT IS SUBJECT TO CHANGE AND THE CONTROLLING ENGINEERING ORGANIZATION SHOULD BE CONTACTED FOR THE LATEST REVISION.		DWN	N.Funayama		Tyco Electronics Corporation ShenZhen, China
DIMENSIONS: mm		CHK	H.Sasaki		
TOLERANCES UNLESS OTHERWISE SPECIFIED: 0 PLC ±0.1mm 1 PLC ±0.2mm 2 PLC ±0.3mm 3 PLC ±0.4mm 4 PLC ±0.5mm ANGLES ±0.1mm		APVD	A.Nagai		NAME
MATERIAL		PRODUCT SPEC		TSC STANDARD TYPE	
FINISH		APPLICATION SPEC		SIZE	RESTRICTED TO
		WEIGHT		A3	
		CUSTOMER DRAWING		CAGE CODE	
				DRAWING NO	
				1461184	
				SCALE	
				5:1	
				SHEET	
				1 OF 2	
				REV	
				A	

THIS DRAWING IS UNPUBLISHED. RELEASED FOR PUBLICATION
 © COPYRIGHT BY TYCO ELECTRONICS CORPORATION. ALL RIGHTS RESERVED.

LOC		DIST		REVISIONS					
P	LTR	DESCRIPTION		ECN	DATE	DWN	APVD		

Ⓐ NOTES:
 1. LOT NO. SYSTEM AS FOLLOWING:



No.	TE PART NO	PART A	PART B	PRODUCT SPRC NO
n	2-1419130-6	TSC-124D3	24V	108-79496
m	1461184-6	TSC-118D3	18V	108-79495
l	2-1419130-0	TSC-112D3	12V	108-79494
k	1461184-5	TSC-109D3	9V	108-79493
j	1461184-4	TSC-106D3	6V	108-79492
i	1419130-9	TSC-105D3	5V	108-79491
h	1461184-3	TSC-103D3	3V	108-79490
g	2-1419130-7	TSC-124L3	24V	108-79489
f	1461184-2	TSC-118L3	18V	108-79488
e	2-1419130-3	TSC-112L3	12V	108-79487
d	1-1419130-7	TSC-109L3	9V	108-79486
c	1461184-1	TSC-106L3	6V	108-79485
b	1-1419130-1	TSC-105L3	5V	108-79484
a	2-1440003-0	TSC-103L3	3V	108-79483

RELAY TYPE

		EPOXY RESIN	SEAL (CASE&BASE) MIX	14
	SOLDER DIP	Cu ALLOY	COIL TERMINAL	13
94V-0		PBT	BOBBIN	12
		UEW	MAGNETIC WIRE	11
94V-0		PBT	CASE	10
	Ni P	STEEL	YOKE	9
	Ni P	STEEL	ARMATURE	8
	Ni P	STEEL	CORE	7
	SOLDER DIP	Cu ALLOY	MOVABLE SPRING	6
	SOLDER DIP	Cu ALLOY	B TERMINAL	5
	SOLDER DIP	Cu ALLOY	M TERMINAL	4
	GS CLAD	Ag ALLOY	MOVABLE CONTACT	3
	GS CLAD	Ag ALLOY	B CONTACT	2
	GS CLAD	Ag ALLOY	M CONTACT	1
UL-94	FINISH	MATERIAL	DESCRIPTION	ITEM

THIS DRAWING IS A CONTROLLED DOCUMENT FOR TYCO ELECTRONICS CORPORATION
 IT IS SUBJECT TO CHANGE AND THE CONTROLLING ENGINEERING ORGANIZATION
 SHOULD BE CONTACTED FOR THE LATEST REVISION.

DWN	N.Funayama
CHK	H.Sasaki
APVD	A.Nagai
PRODUCT SPEC	SEE PRODUCT SPEC LIST
APPLICATION SPEC	
WEIGHT	
CUSTOMER DRAWING	

NAME: TSC STANDARD TYPE

SIZE: A3 CAGE CODE: 00779 DRAWING NO: 1461184

RESTRICTED TO

SCALE: 5:1 SHEET 2 OF 2 REV A

