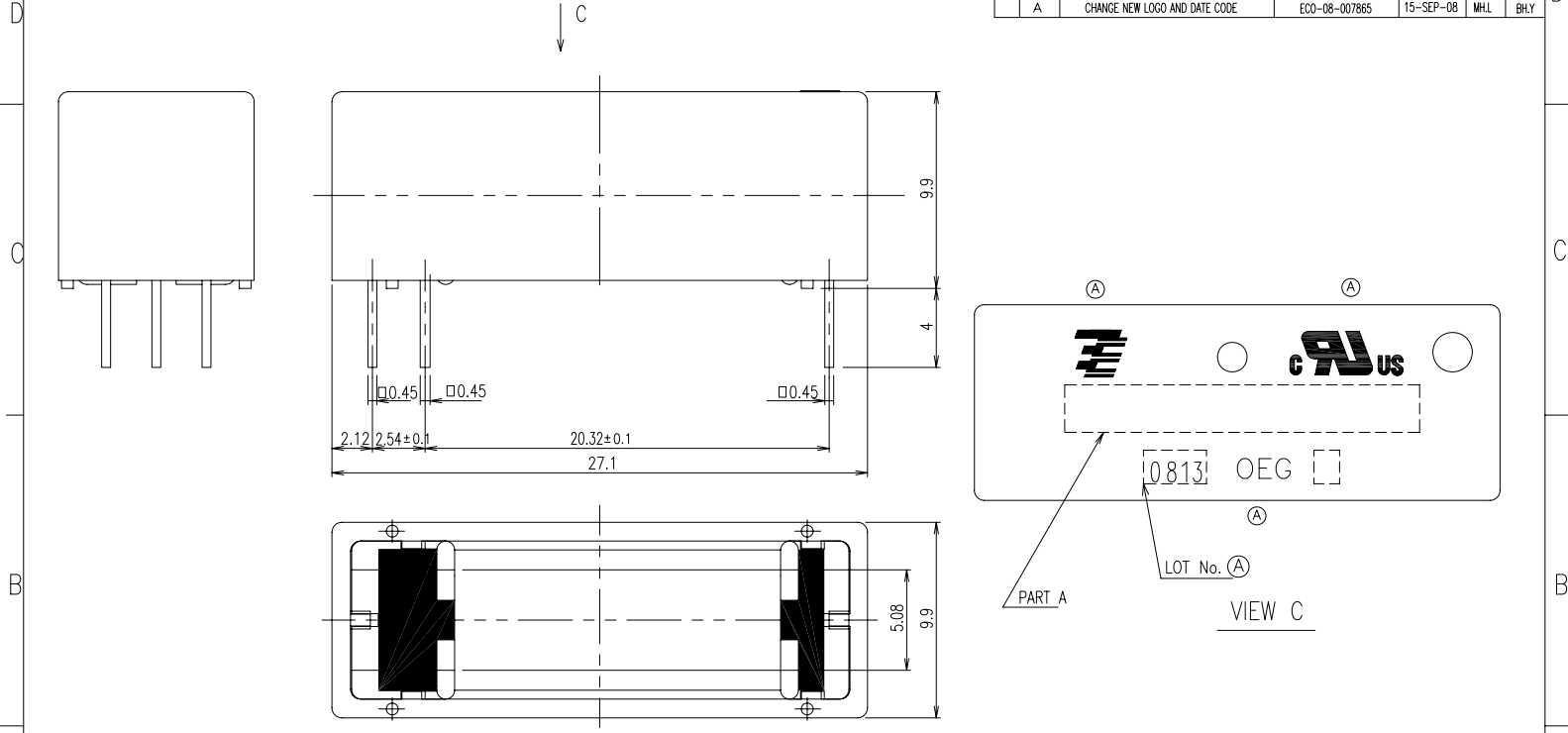


THIS DRAWING IS UNPUBLISHED. RELEASED FOR PUBLICATION
 © COPYRIGHT BY TYCO ELECTRONICS CORPORATION. ALL RIGHTS RESERVED.

LOC		DIST		REVISIONS					
P	LTR	DESCRIPTION	ECN	DATE	DWN	APVD			
	O	RELEASE & CHANGE Pb FREE	FK00-0189-04	01-NOV-04	H.S	A.N			
	A	CHANGE NEW LOGO AND DATE CODE	EC0-08-007865	15-SEP-08	MHL	BLY			



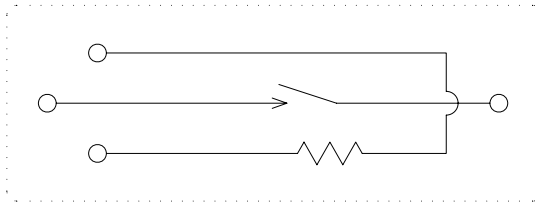
2-1440000-6	OMR-C-112H	OMR-C-112H	c
2-1440000-4	OMR-C-109H	OMR-C-109H	b
2-1440000-2	OMR-C-105H	OMR-C-105H	a
TE PART NO	EC TYPE NO	PART A	TYPE

RELAY TYPE

<small>THIS DRAWING IS A CONTROLLED DOCUMENT FOR TYCO ELECTRONICS CORPORATION IT IS SUBJECT TO CHANGE AND THE CONTROLLING ENGINEERING ORGANIZATION SHOULD BE CONTACTED FOR THE LATEST REVISION.</small>		DWN	H.SASAKI	Tyco Electronics Corporation ShenZhen, China
DIMENSIONS: mm		CHK	Y.OIKAWA	
		APVD	A.NAGAI	NAME
TOLERANCES UNLESS OTHERWISE SPECIFIED: 0 PLC 1 PLC 2 PLC 3 PLC 4 PLC ANGLES H H H H H H H		PRODUCT SPEC	OMR CUSTOMER DRAWING	
MATERIAL		APPLICATION SPEC	WEIGHT	RESTRICTED TO
FINISH		SIZE	A3	CAGE CODE
		DRAWING NO	2-1440000-2	REV
		CUSTOMER DRAWING	SCALE 5:1	SHEET 1 OF 2

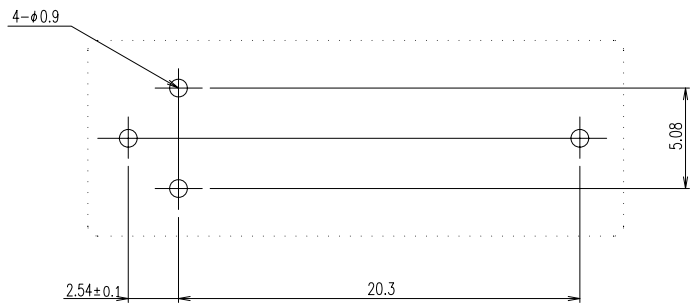
THIS DRAWING IS UNPUBLISHED. RELEASED FOR PUBLICATION
 © COPYRIGHT BY TYCO ELECTRONICS CORPORATION. ALL RIGHTS RESERVED.

LOC	DIST	REVISIONS						
		P	LTR	DESCRIPTION	ECN	DATE	DWN	APVD
HB								



CONNECTION DIAGRAM (BOTTOM VIEW)

- (A) NOTES:
 1. LOT NO. SYSTEM AS FOLLOWING:
 0 8 2 5 WEEK YEAR
 2. GENERAL TOLERANCE AS FOLLOWING:
- | TOLERANCE | |
|------------|------|
| 0~0.99mm | ±0.1 |
| 1mm~2.99mm | ±0.2 |
| 3mm MIN. | ±0.3 |
3. TERMINAL DIMENSION IS NOT INCLUDING SOLDER TIP.



DRILLING DIAGRAM (BOTTOM VIEW)

	—	EPOXY RESIN	SEAL (BOBBIN+CASE)	9
	—	EPOXY RESIN	SEAL (COIL TERMINAL+BOBBIN)	8
	—	POLYESTER	TAPE	7
CLASS E	—	JUEW	MAGNETIC WIRE	6
	—	HCP WIRE	COIL TERMINAL	5
	—	DIRLINE	SPACER	4
	—	—	REED SWITCH	3
V-0	—	PBT	CASE	2
V-0	—	PBT	BOBBIN	1
INCOMBUSTIBILITY	TREATMENT	MATERIAL	DESCRIPTION	ITEM

THIS DRAWING IS A CONTROLLED DOCUMENT FOR TYCO ELECTRONICS CORPORATION. IT IS SUBJECT TO CHANGE AND THE CONTROLLING ENGINEERING ORGANIZATION SHOULD BE CONTACTED FOR THE LATEST REVISION.

DWN	CHK	APVD	PRODUCT SPEC	APPLICATION SPEC	WEIGHT	CUSTOMER DRAWING
Tyco Electronics Corporation ShenZhen, China		NAME		DRAWING NO		RESTRICTED TO
		OMR CUSTOMER DRAWING		SIZE	CAGE CODE	
				A3	00779	
				©	2-1440000-2	
				SCALE	SHEET	REV
				5:1	2 OF 2	A