

MICTOR Connectors (Continued)

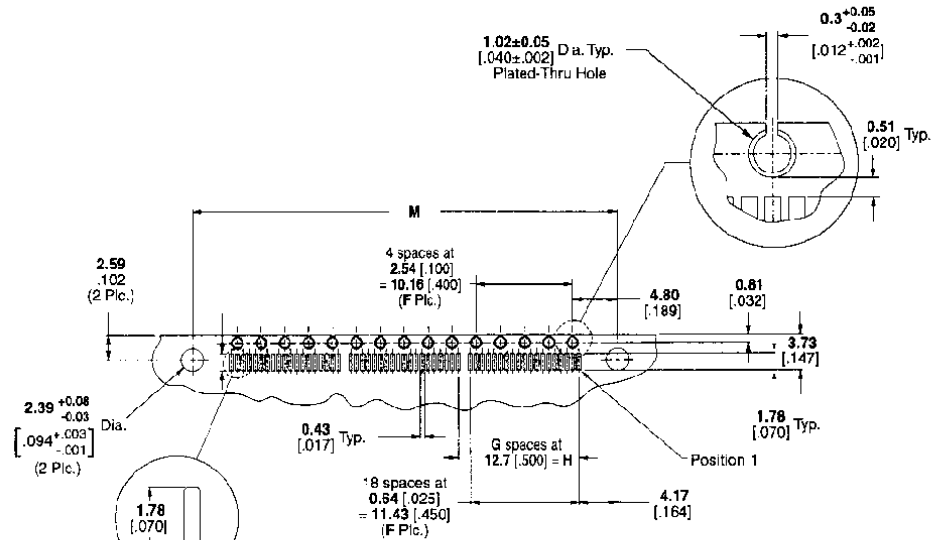
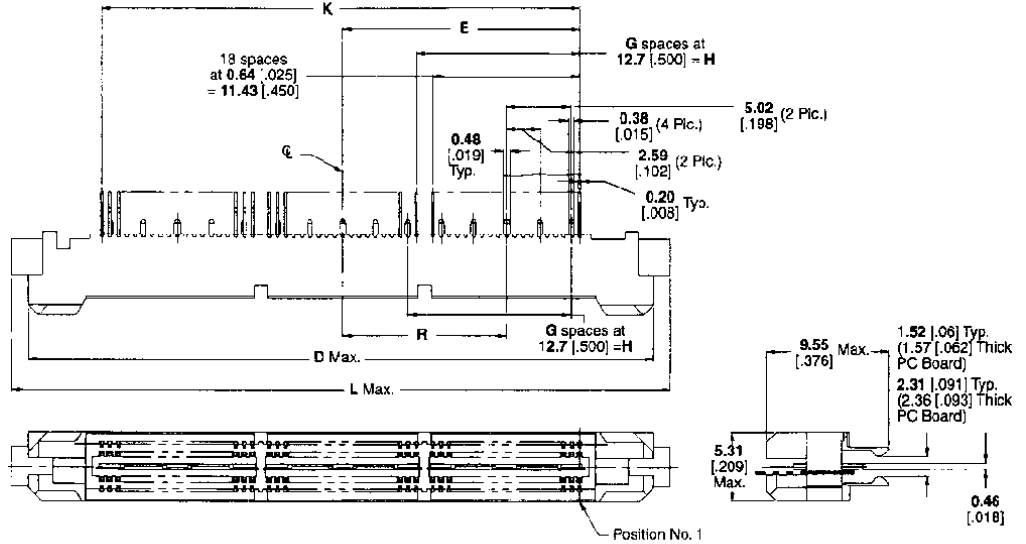
Right Angle Plugs

Related Product Data:

- Material and Finish** — page 131
- Performance Characteristics** — page 131
- Mating Receptacles** — pages 136, 137, 139

Technical Documents

- Product Specification** 108-1422
- Application Specification** 114-11004



Recommended PC Board Layout
(Mirror image on opposite side)

No. of Positions	Dimensions									Part Numbers		
	D	E	F	G	H	K	L	M	R	1.57 [062] PC Boards		2.36 [093] PC Boards
										Gold Plating	Palladium-Nickel Plating	Palladium-Nickel Plating
38	22.81 .898	5.72 .225	1	0	—	11.43 .450	25.55 1.006	19.76 .778	—	767006-1	767055-1	767039-1
76	35.51 1.398	12.07 .475	2	1	12.70 .500	24.13 .950	38.25 1.506	32.46 1.278	6.35 .250	767006-2	767055-2	767039-2
114	48.21 1.898	18.42 .725	3	2	25.40 1.000	36.83 1.450	50.95 2.006	45.16 1.778	12.70 .500	767006-3	767055-3	767039-3
152	60.91 2.398	24.77 .975	4	3	38.10 1.500	49.53 1.950	63.65 2.506	57.86 2.278	19.05 .750	767006-4	767055-4	767039-4
190	73.61 2.898	31.12 1.225	5	4	50.80 2.000	62.23 2.450	76.35 3.006	70.56 2.778	25.40 1.000	767006-5	767055-5	767039-5
228	86.31 3.398	37.47 1.475	6	5	63.50 2.500	74.93 2.950	89.05 3.506	83.26 3.278	31.75 1.250	767006-6	767055-6	767039-6
266	99.01 3.898	43.82 1.725	7	6	76.20 3.000	87.63 3.450	101.75 4.006	95.96 3.778	38.10 1.500	767006-7	767055-7	767039-7