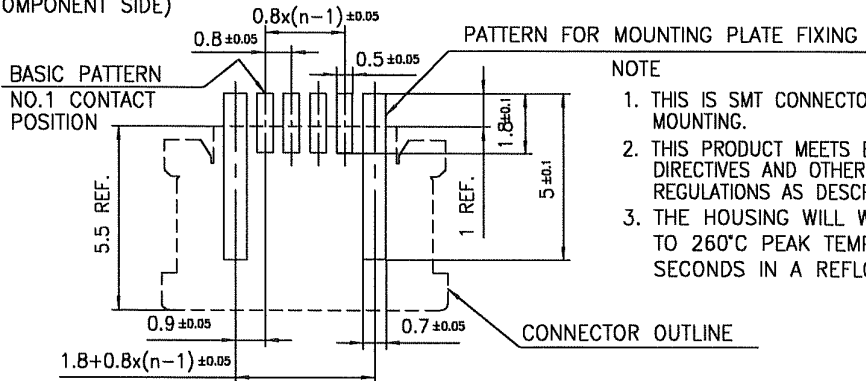


PT. NO.	PARTS NAME	MATERIAL	Q'TY	NOTE
1	HOUSING	PPS RESIN GLASS REINFORCED (UL94V-0)	1	COLOR:BLACK
2	SLIDER		1	
3	CONTACT	PHOSPHOR BRONZE	n	PLATING:TIN (LEAD FREE)
4	MOUNTING PLATE		2	

n : NO. OF CONTACTS

RECOMMENDED PC BOARD LAYOUT (COMPONENT SIDE)



- NOTE
1. THIS IS SMT CONNECTOR FOR AUTOMATIC MOUNTING.
  2. THIS PRODUCT MEETS EUROPEAN UNION DIRECTIVES AND OTHER COUNTRY REGULATIONS AS DESCRIBED IN GS-22-008.
  3. THE HOUSING WILL WITHSTAND EXPOSURE TO 260°C PEAK TEMPERATURE FOR 10 SECONDS IN A REFLOW SOLDERING OVEN.

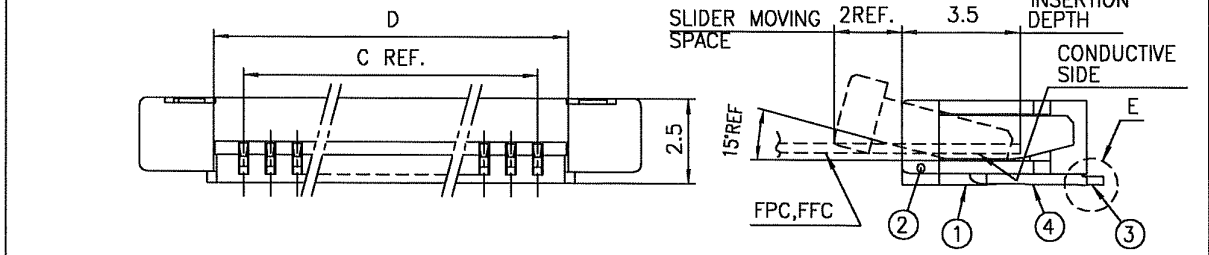
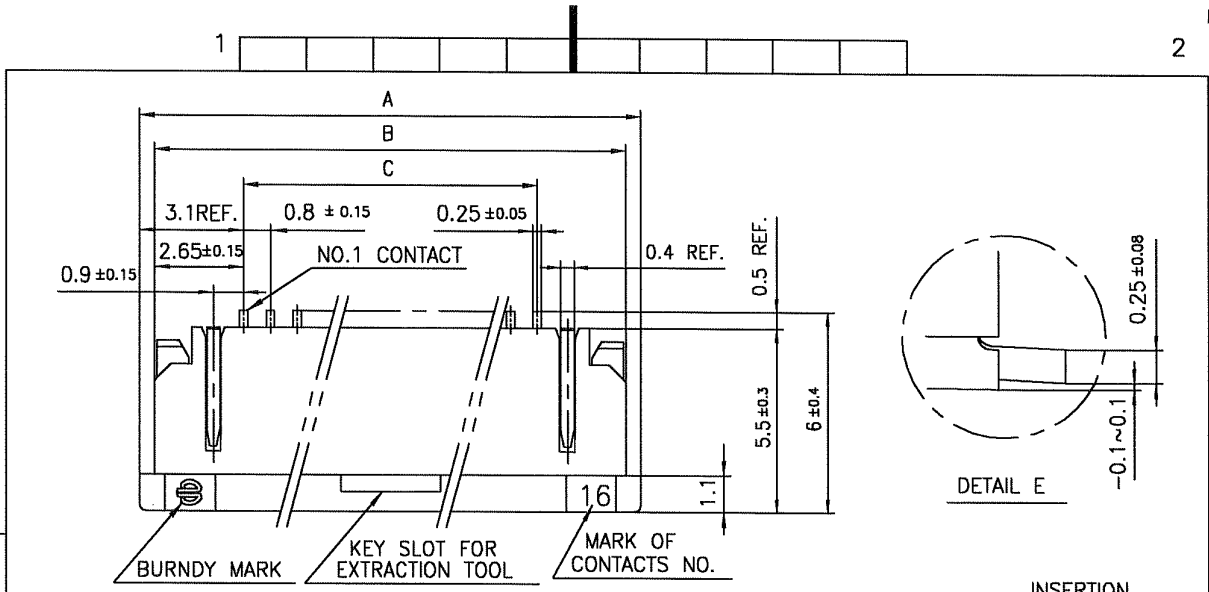
mat'l. code		surface ISO 1302		tolerance ISO 406 ISO 1101		projection		product family 58BF		CODE JP		
ltr	ecn no	dr	date	tolerances unless otherwise specified		mm		title				
A	J05-0280	H.T	5/12/05	angles	linear	±0.2		0.8mm SPACING CONNECTOR (Cat. No. SFR4R-1ST_LF)				
B	J05-0730	H.T	10/28/05					dwg no sheet 1 of 1 size				
C	J06-0485	H.T	11/20/06					JSA 96439 A4				
				dr			scale		type Product Customer Drawing			
				enr			FCJ					
				chr								
				appd								
sheet index	revision sheet	C	1									Rev. C

SC-SFR04 JSA96438 form: A4



FCconnect.com

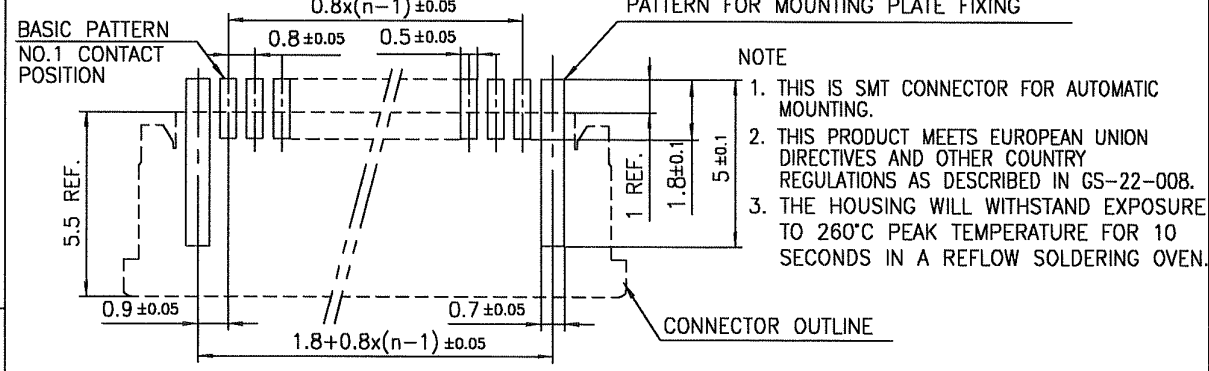
Copyright FCJ.



PT. NO.	PARTS NAME	MATERIAL	Q'TY	NOTE
1	HOUSING	PPS RESIN GLASS REINFORCED (UL94V-0)	1	COLOR : BLACK
2	SLIDER		1	
3	CONTACT	PHOSPHOR BRONZE	n	PLATING : TIN (LEAD FREE)
4	MOUNTING PLATE		2	

n : NO. OF CONTACTS

RECOMMENDED PC BOARD LAYOUT  
(COMPONENT SIDE)



mat'l. code		surface ISO 1302		tolerance ISO 406 ISO 1101		projection		product family 58BF		CODE JP	
ltr	ecn no	dr	date	tolerances unless otherwise specified		mm		title			
A	J05-0280	H.T	5/12/05	angles	linear	mm		0.8mm SPACING CONNECTOR (Cat. No. SFR__R-1ST__LF)			
B	J05-0730	H.T	10/28/05			scale X		dwg no sheet 1 of 1 size			
C	J06-0485	H.T	11/20/06					JSA 96440 A4			
sheet index		revision	C					type Product Customer Drawing			
sheet		sheet	1					Rev. c			

SC-SFR04 JSA9643B form: A4

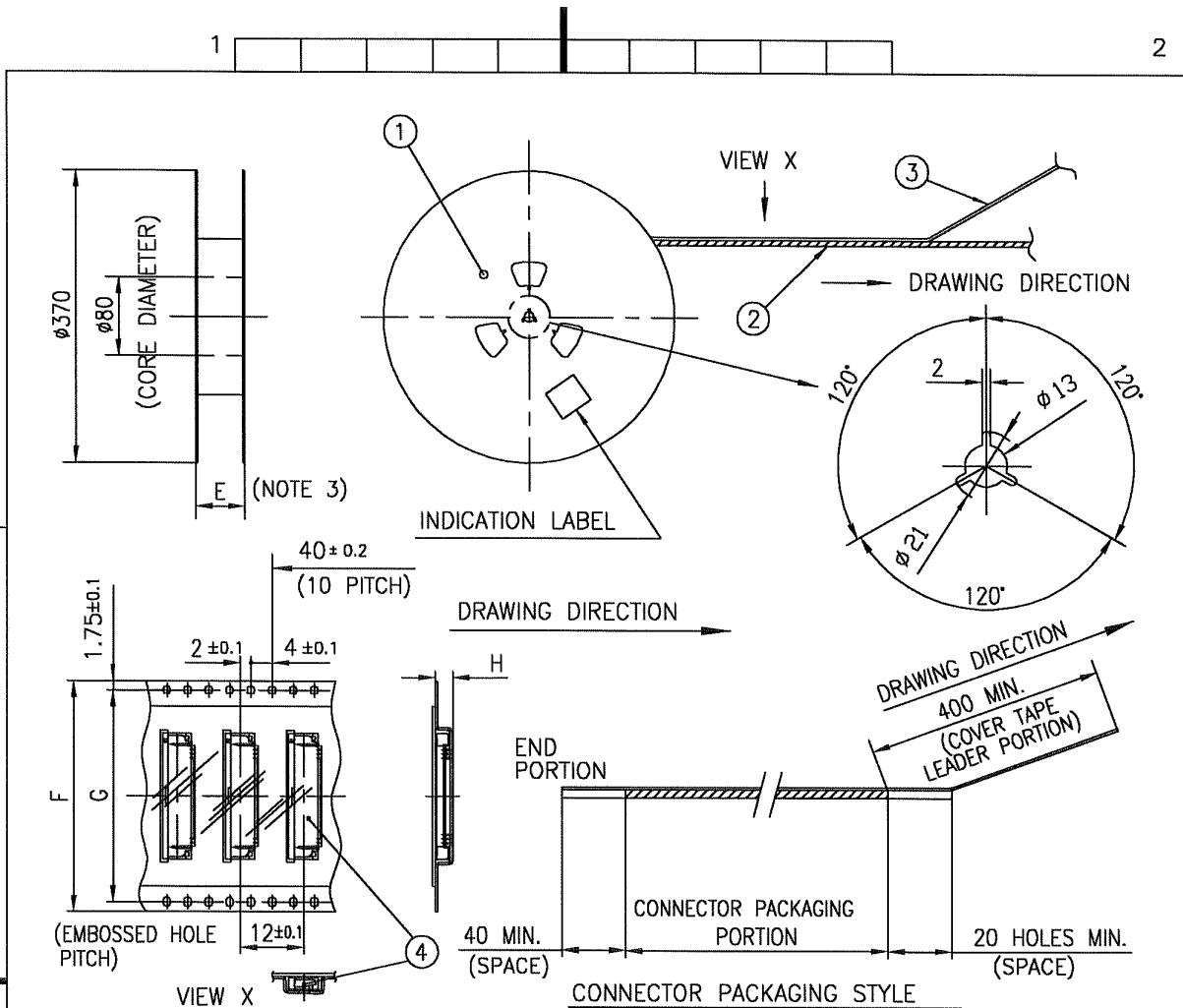


FCIconnect.com

Copyright FCI.







PT. NO.	PARTS NAME	CAT. NO.	MATERIAL	Q'TY	NOTE
1	REEL	_____	CARDBOARD	1	COLOR:GRAY
2	PLASTIC (EMBOSS) TAPE	_____	POLYPROPYLENE or A-PET	_____	COLOR:TRANSPARENCY
3	COVER	_____	POLYESTER	_____	COLOR:TRANSPARENCY
4	SURFLOK CONNECTOR	SFR_R-1ST_LF	SEE ATTACHED DWG	2000	_____

NOTES

- THIS IS PLASTIC TAPE PACKAGED SMT CONNECTORS FOR AUTOMATIC MOUNTING.
- SEE JIS C 0806 (PACKING OF ELECTRONIC COMPONENTS ON CONTINUOUS TAPES (SURFACE MOUNTING DEVICES)) FOR SHAPE AND DIMENSIONS OF PLASTIC (EMBOSS) TAPE AND REEL.
- E DIMENSION IS PORTION OF THE CORE.

mat'l. code				surface <input checked="" type="checkbox"/> ISO 1302 <input checked="" type="checkbox"/> ISO 406 <input checked="" type="checkbox"/> ISO 1101		projection	product family	58BF	CODE JP	
ltr	ecn no	dr	date	tolerances unless otherwise specified		mm	title PLASTIC TAPE PACKAGED 0.8mm SPACING CONNECTOR (Cat. No. SFR__R-1STE1LF)			
A	J05-0280	H.T	5/12/05	angles	±5					
B	J06-0485	H.T	11/20/06	linear		scale	dwg no		sheet 1 of 1	
				dr	<i>H. Sudo</i>	11/20/06	JSA 96442		size	
				enr	<i>H. Sudo</i>	11/20/06	type		A4	
				chr	<i>K. Sudo</i>	11/20/06	Product Customer Drawing			
				appd	<i>S. Sudo</i>	11/21/06				
sheet index	revision	B	sheet	1						Rev B

SC-SFRD4 JSA96441 form: A4



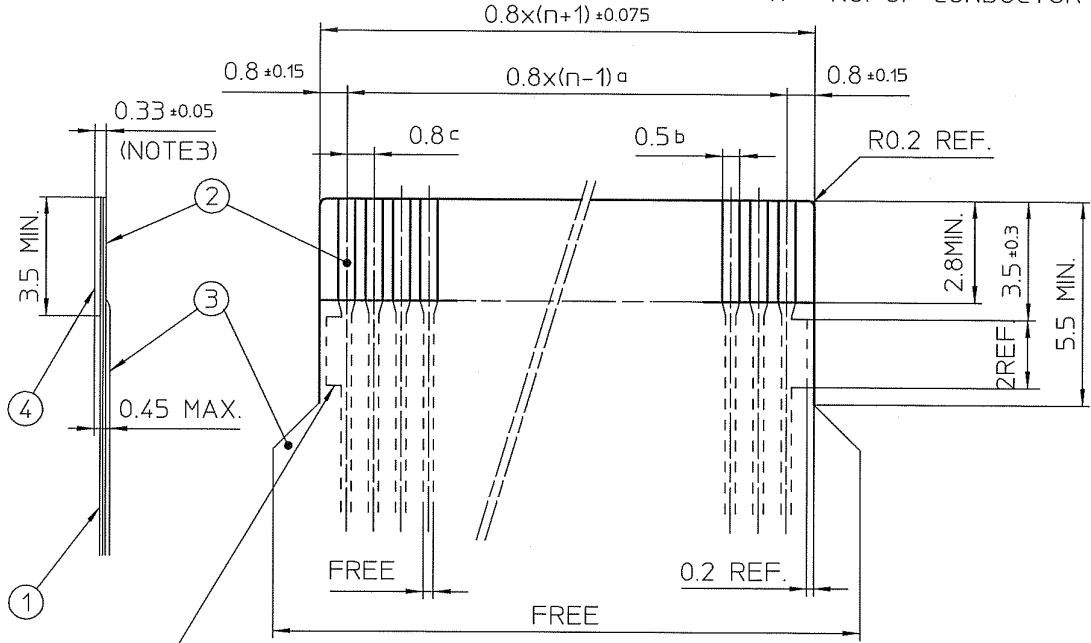
FCIconnect.com

Copyright FCI.



RECOMMENDED CABLE (FPC)

n : NO. OF CONDUCTOR



INSERTION INSPECTION MARK

KIND OF FPC (NOTE 4)	DIMENSIONAL TOLERANCE		
	a	b	c
1	±0.04	±0.05	±0.04
2	±0.035	±0.075	±0.035

PT. NO.	PARTS NAME	MATERIAL	THICKNESS (μm)
1	BASE FILM	POLYIMIDE OR POLYESTER OR EQUAL	25
2	CONDUCTOR	COPPER FOIL (PLATING : SOLDER 1μm MIN.)	35
3	OVERLAY	POLYIMIDE OR POLYESTER OR EQUAL	—
4	SUPPORTING TAPE	POLYESTER OR POLYIMIDE OR EQUAL	188

NOTES

1. NO BURR AT EACH PORTION.
2. NO PEELING IN COMMON USE.
3. TOTAL THICKNESS LIMIT OF EACH MATERIAL (INCLUDING ADHESIVE AGENT) IS SPECIFIED.
4. EITHER KIND1 OR KIND2 OF FPC CAN ACCEPT DIMENSIONAL TOLERANCE a,b AND C.

mat'l. code		surface ISO 1302 ✓		tolerance ISO 406 ISO 1101		projection		product family 58BF	
ltr	ecn no	dr	date	tolerances unless otherwise specified		title		RECOMMENDED CABLE (CAT.No.SFR__R-1ST__)	
AA	J04-0357	H.T	Oct.13/04	angles	linear	scale X		dwg no JSA 90454 sheet 1 of 1 size A4	
AB	J06-0351	H.T	8/29/06			FCJ		type Product Customer Drawing	
sheet index	revision sheet	AB	1					Rev. AB	



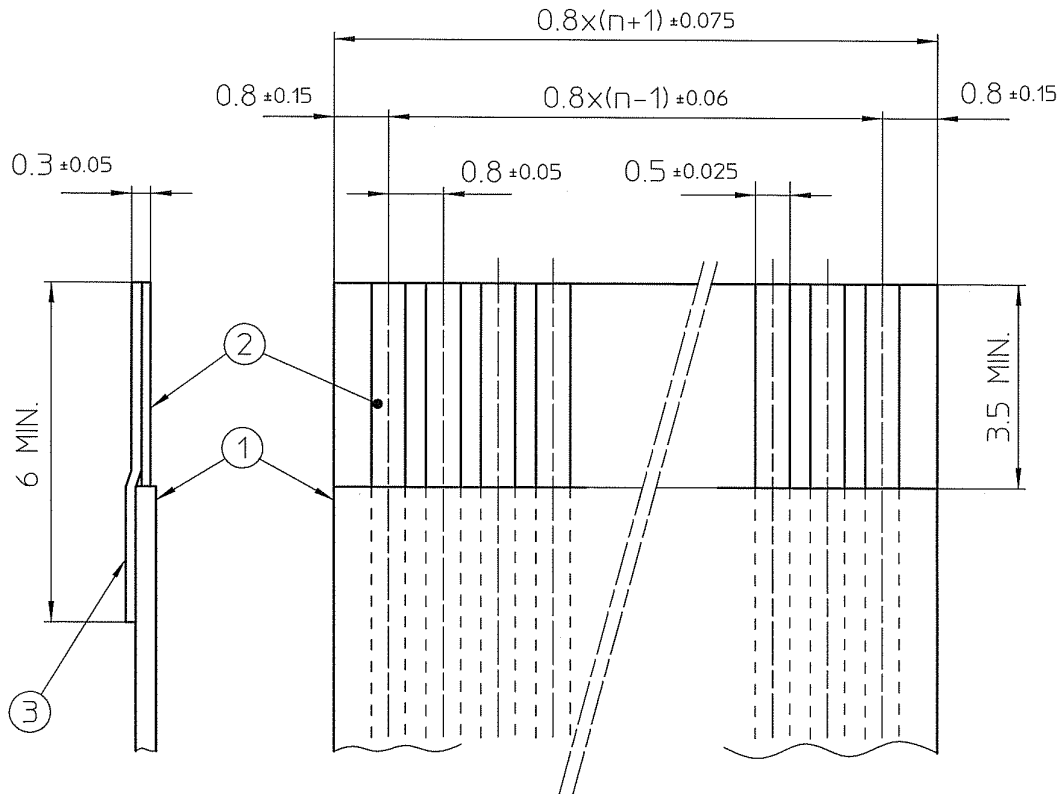
FCJconnect.com

Copyright FCJ



RECOMMENDED CABLE (FFC)

n : NO. OF CONDUCTORS



PT. NO.	PARTS NAME	MATERIAL	NOTE
1	INSULATOR	FLAME RESISTING POLYESTER OR EQUAL	_____
2	CONDUCTOR	COPPER FOIL : 50 μm	PLATING : TIN OR SOLDER 1 μm MIN.
3	SUPPORTING TAPE	FLAME RESISTING POLYESTER OR EQUAL	_____

NOTES

1. NO BURR AT EACH PORTION.
2. NO PEELING IN COMMON USE.

mat'l. code		surface <input checked="" type="checkbox"/> ISO 1302		tolerance <input checked="" type="checkbox"/> ISO 406 <input type="checkbox"/> ISO 1101		projection		product family 58BF		
ltr	ecn no	dr	date		tolerances unless otherwise specified				title	
AA	J04-0357	H.T	Oct/3/04		angles		linear		RECOMMENDED CABLE (FFC) (CAT.No.SFR__R-1ST__)	
AB	J06-0351	H.T	8/29/06		linear		scale		dwg no sheet 1 of 1 size	
			dr	8/29/06		FCJ		JSA 90455		A4
			enr	8/29/06				type Product Customer Drawing		
			chr	8/29/06						
			appd	8/29/06						
sheet index	revision sheet	AB	1							Rev. AB



Copyright FCJ