

ebmpapst



**Product List  
May 2007**

**ELECTRIC  
MOTORS**

D4 ebm papst

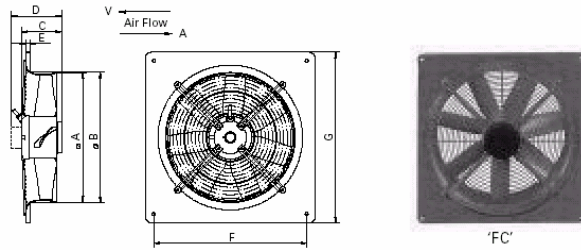
# TABLE OF CONTENTS

Ziehl-Abegg Axials.....	3
ebm Axials .....	4
ebm Grille Assembly.....	5
ebm Centrifugal.....	5
ebm Blowers .....	6
ebm Compact.....	6
PAPST Compact (EX STOCK) .....	7
ebm Hot Air Fans .....	7
Compact Fan Accessories .....	<a href="#">7</a>
Grilles.....	<a href="#">7</a>
Wall Plates .....	8
“Q” Motor System Price List.....	8

# Ziehl-Abegg Axials

Hamer Code	Stock Code	Airflow or Rotation	Voltage (V)	Phase	Air Volume (m3/Hr)	Speed (RPM)	Power Input (W)	Current (A)	Capacitor (µF)	Max. Air Temperature (C)	Noise Level (dBA@1M)
AB1040	FC050-VDQ.4F.5	V	400	3	8300	1400	550	1.15	-	84	60
AB1030	FC063-VDQ.6K.5L/TEP	V	400	3	18200	1310	1900	3.45	-	90	60

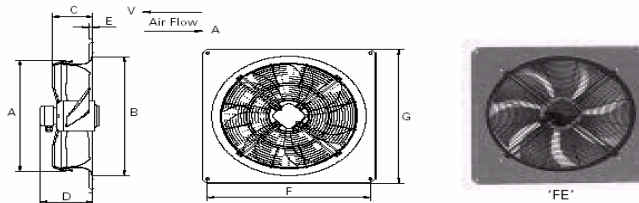
Dimensions	Art #	A	B	C	D	E	F	G
FC050-VDQ.4F.5	102719	517	535			16	560	600
FC063-VDQ.6K.5 L/T	204718	643	670	230	256	20	750	805



GRILLE MAY BE ON AIR INLET 'A' (.3) FLOW  
OR OUTLET 'V' (.5) FLOW  
PICTURE & DRAWING 'A' (.3) FLOW

Hamer Code	Stock Code	Airflow Or Rotation	Voltage (V)	Phase	Air Volume (m3/Hr)	Speed (RPM)	Power Input (W)	Current (A)	Capacitor (µF)	Noise Level (dBA@1M) r	Max. Air Temperature (C)
AB1060	FE050-VDQ.41.5 GREY	V	400	3	9700	1340	780	.78	3	69	60
	FE063-VDQ.6N.5-GREY	V	400	3	25600	880	2000	4.0	12	77	50

Dimensions	Art #	A	B	C	D	E	F	G
FE050-VDQ.41.5-GREY	123218	548	580	153	201	16	560	600
FE080-NDQ.6K.5-GREY	125214	878	910	309	309	20	910	970



GRILLE MAY BE ON AIR INLET 'A' (.3) FLOW  
OR OUTLET 'V' (.5) FLOW  
PICTURE & DRAWING 'V' (.5) FLOW

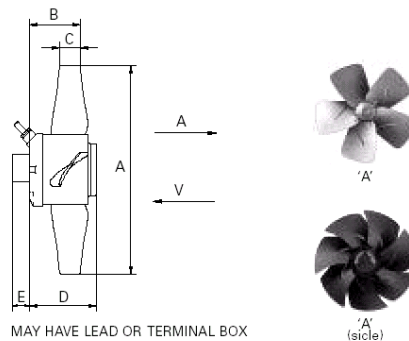
D4 ebm papst

## ebm Axials

Hamer Code	Stock Code	Airflow Or Rotation	Voltage (V)	Phase	Air Volume (m3/Hr)	Speed (RPM)	Power Input (W)	Current (A)	Capacitor (µF)	Noise Level (dBA@1M)	Max. Air Temperature (C)
ZE2200	A2E200-AH38-01	V	230	1	910	2600	63	.30	1.5	59	70
ZE2210	A2E200-AI38-01	A	230	1	910	2600	63	.30	1.5	59	70
ZE2220	A4E300-AA03-41	V									
ZE2230	A4E300-AB03-23	A	240	1	1510	1250	75	.32	1.5	70	
ZE2250	A4E350-AA10-32	V	230	1	2940	1400	130	.55	4	68	50
ZE2260	A4S200-AA02-2	A	230	1	375	1380	40	.30		52	50
ZE2270	A4S250-AA04-46	V									
ZE2280	A4S250-AA02-2	A	230	1	870	1400	72	.53	-	58	40

D4 ebm papst

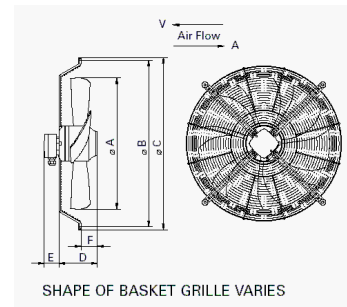
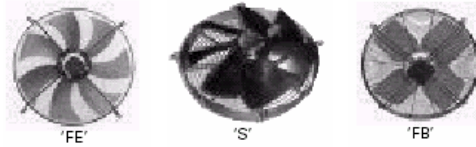
Dimensions	A	B	C	D	E
A2E200 AH38-01	197	56	39	62	-
A2E200 AI38-01	197	52	35	62	-
A4E300 AB03-23	300	76	56	72	-
A4E350 AA10-32	350	91	70	102	-
A4S200 AA02-02	198	48	33	62	-
A4S250-AA02-02	248	58	39	73	-



## ebm Grille Assembly

Hamer Code	Part No.	Air Flow Direction	Voltage (V)	Phase	Volume (m3/Hr)	Speed (RPM)	Power Input (W)	Current (A)	Capacitor (µF)	Noise Level (dBA@1M)	Max Air Temperature (C)
ZE2300	S4E300 AB03-43	A	240	1	1610	1250	75	.32	1.5	63	60
ZE2301	S4E300 AP26-44	V	230	1	1885	1390	73	.32	2	59	60
ZE2302	S4E350-AP06-60 Std Grill	V	Kirby "S" range, with J Box Class F Ball.Brg								

Dimensions	Art #	A	B	C	D	E	F
S4E300 AB03-43		300	370		72.5	66	27
S4E300 AP26-44		300	360		72.5	66	23

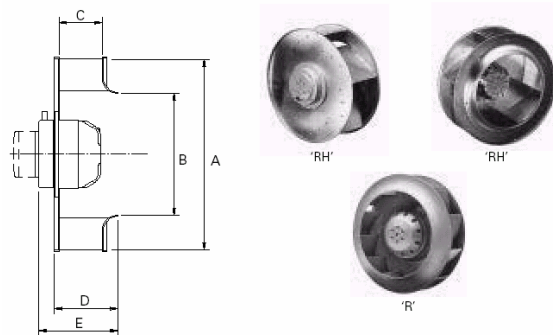


## ebm Centrifugal

Backward Curve

Hamer Code	Stock Code	Airflow or Rotation	Voltage (V)	Phase	Air Volume (m3/Hr)	Speed (RPM)	Power Input (W)	Current (A)	Capacitor (µF)	Noise Level (dBA@1M)
ZE2400	R2E190-AE21-88	RH								
ZE2410	R2E220-AA52-72	RH	230	1	860	2600	85	0.38	2.5	72
ZE2420	R2E225-AU64-05	RH								

Dimensions	Art #	A	B	C	D	E
R2E220 AA52-72		220	159	45	63	73



D4 ebm papst

# ebm Blowers

## Forward Curve Double Inlet

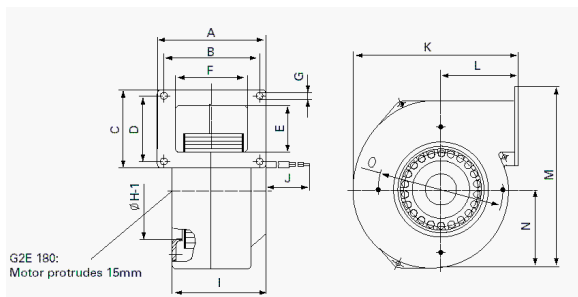
Hamer Code	Stock Code	Airflow Or Rotation	Phase	Air Volume (m3/Hr)	Power Input (W)	Speed (RPM)	Current (A)	Capacitor (µF)	Noise Level (dBA@1M)	Min. Static Pressure (Pa)	Approx Weight (Kg)	Max. Air Temperature (C)
	D2E133-AM83-88	RH	1	1500	185	.81	3	60	-	40	3.5	
<b>ZE2510</b>	D2E146-HT67-01	LH	1	1060	1850	355	1.55	8	66	0	50	3.6
	21958-4-1040	650 long cable connector for D2E146 fans										

Dimensions	A	B	C	D	E	F	G	H	I	J	K	L	M	N
D2E133-AM83-88	-	-	-	-	68	210	-	-	210	500	168	90	180	70
D2E146-HT67-01	198	-	-	-	149	173	-	-	178	-	250	142	216	

## Forward Curve Single Inlet

Hamer Code	Stock Code	Airflow Or Rotation	Voltage (V)	Phase	Air Volume (m3/Hr)	Speed (RPM)	Power Input (W)	Current (A)	Capacitor (µF)	Noise Level(dBA@1M)	Min. Static Pressure (Pa)	Max. Air Temperature (C)	Approx Weight (Kg)
<b>ZE2600</b>	G2E120-CR26-03	RH	230	1	275	2200	83	.37	2	64		70	1.9
<b>ZE2610</b>	G2E160-AD01-01	RH											

Dimensions	A	B	C	D	E	F	G	H	I	J	K	L	M	N
G2E120 CR26-03	110	94	98	82	67	77	6	95	99	-	171	87	196	80



D4 ebm papst

# ebm Compact

## AC

Hamer Code	Stock Code	Airflow or Rotation	Additional Details
<b>ZE2700</b>	W2E142-BB01-01	V	Class B, Ball.Brg
<b>ZE2710</b>	W2S130-AA03-63M	V	Heat Transfer Fan
<b>ZE2720</b>	W2S130-AA03-63	V	1500mm long fly lead replaces AA11-10, Class B, Ball.Brg
<b>ZE2730</b>	ADP-001		Spigots for W2S – ZE2720

D4 ebm papst

Page 6 of 10

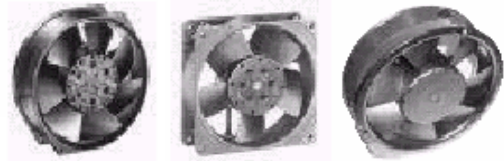
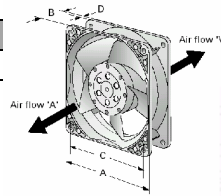
# PAPST Compact (EX STOCK)

AC

Hamer Code	Stock Code	Part No.	Air Flow Direction	Voltage(V)	Supply	Air Volume (m3/Hr)	Speed (RPM)	Power Input (W)	Current (A)	Capacitor(μF)	Noise Level(dBA@1M)	Min. Static Pressure (Pa)	Max. Air Temperature (C)
<b>ZE2810</b>	4606Z 855	4606Z 855	V	115	AC	180	3100	18.0				45	85
<b>ZE2800</b>	4656 Z 877	4656Z 877	V	230	AC	160	2650	19.0				40	75
		FLY LEADS											

D4 ebm papst

Dimensions	CASE STYLE	A	B	C	D
4606Z 855	B	119	38		
4656Z 877	B	119	38		
FLY LEADS					



'A' 'B' 'C'

## ebm Hot Air Fans

Hamer Code	Stock Code	Airflow or Rotation	Additional Details
<b>ZE2900</b>	R2K150-AC03-25	RH	

## Grilles

*Basket Grilles To Suit ebm Fans Below:*

Hamer Code	Stock Code	Airflow or Rotation	Additional Details
<b>ZE3020</b>	AG250-1		Local grille 200mm (basket)

*Flat Grilles To Suit ebm Fans Below:*

Hamer Code	Stock Code	Airflow or Rotation	Additional Details
<b>ZE3030</b>	EAG 020		ebm grille 200mm (wall plate)
<b>ZE3040</b>	EAG 025		ebm grille 250mm (wall plate)
<b>ZE3050</b>	EAG 030		ebm grille 300mm (wall plate)

## Wall Plates

Hamer Code	Stock Code	Airflow or Rotation	Additional Details
ZE3060	ASP 020		Power coated ebm square wall plate

## “Q” Motor System Price List

Hamer Code	Part No.	Power Output (W)	Air Flow Direction	Voltage (V)	Phase	Air Volume (m <sup>3</sup> /Hr)	Speed (RPM)	Power Input (W)	Current (A)	Capacitor (µF)	Noise Level (dBA@1M)	Min Static Pressure (Pa)	Max. Air Temperature (C)
ZE1100	Q motor screws	Mounting screws											
ZE1110	M4Q045 BD01-38	5		230			1300	29	.19				
ZE1115	M4Q045 CA01-38	7		230			1300	31	.20	MOUNTING SCREWS TO SUIT “Q” MOTOR ARE AVAILABLE  PRICED SEPERATELY PART NUMBER ZE1100			
ZE1120	M4Q045 CA03-38	10		230			1300	36	.25				
ZE1125	M4Q045 CF01-38	16		230			1300	60	.42				
ZE1130	M4Q045 DA05-38	23		230			1300	86	.62				
ZE1135	M4Q045 EA01-38	25		230			1300	90	.62				
ZE1140	M4Q045 EF01-38	34		230			1300	110	.75				

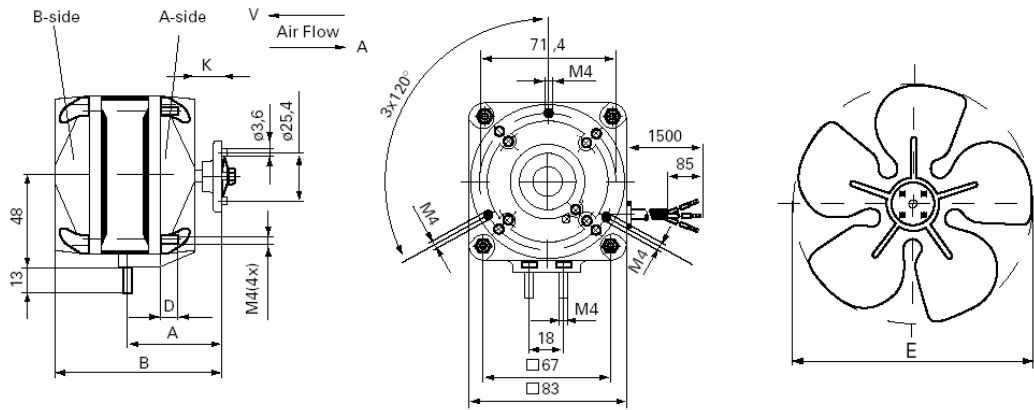
D4 ebm papst

Recommended “A” Flow Impellers						
Diameter	154	172	200	230	254	300
M4Q045-BD01-38	73763	73766	73768			
M4Q045-CA01-38			73769	73770		
M4Q045-CA03-38				73771	73773	
M4Q045-CF01-38					73774	
M4Q045-DA05-38	(All Impeller part numbers end -2-3634)					73776
M4Q045-EA01-38						73776
M4Q045-EF01-38						73777

Recommended “V” Flow Impellers						
Diameter	154	172	200	230	254	300
M4Q045-BD01-38	73803	73806	73808			
M4Q045-CA01-38			73809	73810		
M4Q045-CA03-38				73811	73813	



M4Q045-CF01-38					73814	
M4Q045-DA05-38	(All Impeller part numbers end					73816
M4Q045-EA01-38	-----2-3634					73816
M4Q045-EF01-38						73817



Multiple Fastening Locations

D4 ebm papst