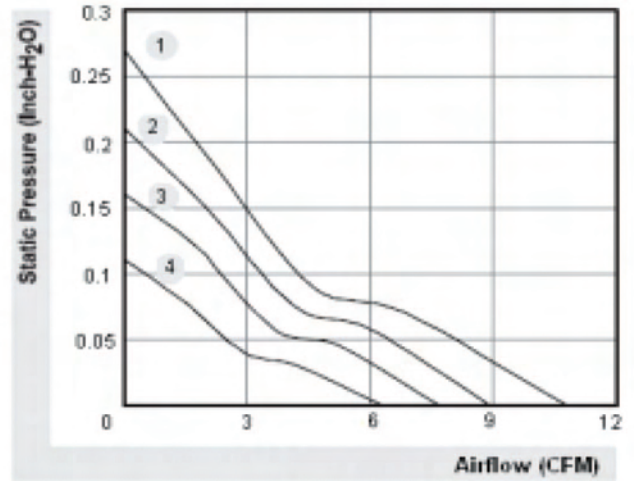
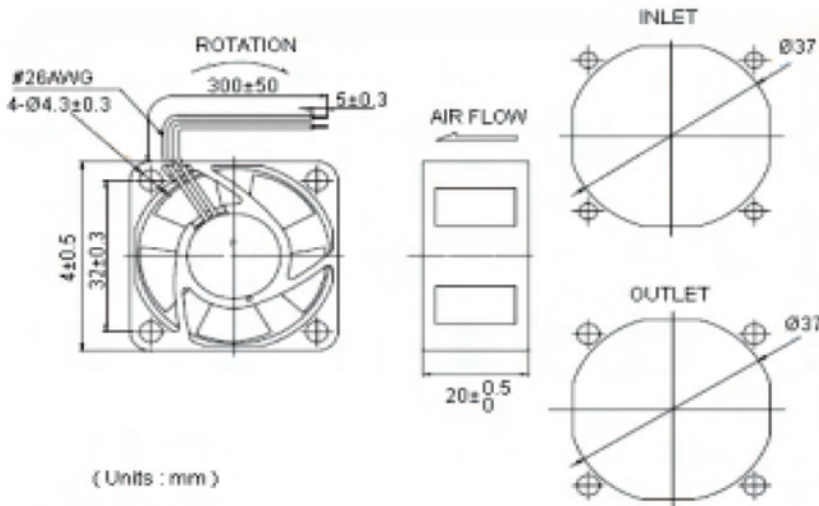


# Axial Fan



## Specifications:

Size : 40 x 40 x 20mm.  
Air flow : 6.3 to 10.8cfm.

## Specifications Table:

Description	Bearing	Rating Voltage (VDC)	Power Current (mA)	Power Consumption (WATTS)	Speed (RPM)	Air Flow (CFM)	Static Pressure (Inch-H <sub>2</sub> O)	Noise (dBA)	Weight (g)	Curve	Part Number
Axial Fan	Sleeve	5	140	0.70	6200	7.7	0.16	21.0	30.0	3	MC36258
Axial Fan	Sleeve	12	63	0.76	6200	7.7	0.16	21.0	31.0	3	MC36259
Axial Fan	VAPO	5	123	0.32	6200	7.7	0.16	21.0	30.0	3	MC36283
Axial Fan	VAPO	12	70	0.84	7200	8.9	0.21	25.5	31.0	2	MC36284
Axial Fan	VAPO	12	50	0.60	6200	7.7	0.16	21.0	31.0	3	MC36285
Axial Fan	VAPO	12	40	0.48	5200	6.3	0.11	18.0	31.0	4	MC36286
Axial Fan	VAPO	12	115	1.38	8200	10.8	0.27	27.5	31.0	1	MC36287
Axial Fan	VAPO	24	50	1.20	7200	8.9	0.21	25.5	31.0	2	MC36289
Axial Fan	VAPO	24	33	0.80	6200	7.7	0.16	21.0	31.0	3	MC36290

**Disclaimer** This data sheet and its contents (the "Information") belong to the Premier Farnell Group (the "Group") or are licensed to it. No licence is granted for the use of it other than for information purposes in connection with the products to which it relates. No licence of any intellectual property rights is granted. The Information is subject to change without notice and replaces all data sheets previously supplied. The Information supplied is believed to be accurate but the Group assumes no responsibility for its accuracy or completeness, any error in or omission from it or for any use made of it. Users of this data sheet should check for themselves the Information and the suitability of the products for their purpose and not make any assumptions based on information included or omitted. Liability for loss or damage resulting from any reliance on the Information or use of it (including liability resulting from negligence or where the Group was aware of the possibility of such loss or damage arising) is excluded. This will not operate to limit or restrict the Group's liability for death or personal injury resulting from its negligence. SPC Multicomp is the registered trademark of the Group. © Premier Farnell plc 2010.

<http://www.farnell.com>  
<http://www.newark.com>  
<http://www.cpc.co.uk>

