

4

3

2

1

THIS DRAWING IS UNPUBLISHED. RELEASED FOR PUBLICATION
COPYRIGHT BY TYCO ELECTRONICS CORPORATION. ALL RIGHTS RESERVED.

LOC	DIST	REVISIONS					
H	-	P	LTK	DESCRIPTION	DATE	OWN	APVD
		5		MODIFIED EXPLODED VIEW	22NOV2010	PP	JK
		6		ADDED PARTN., UPDATED NOTES AND VIEWS.	28DEC2010	PP	JK
		7		MOD. DESCRIPTION IN NOTES, TABLE AND COMP.	10JAN2011	PP	JK
		8		CHANGED: DRILLHOLE SIZES; SCREW TYPE.	01FEB2011	PP	OL

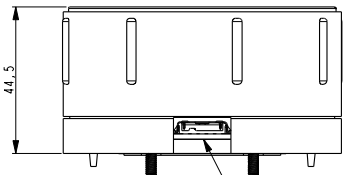
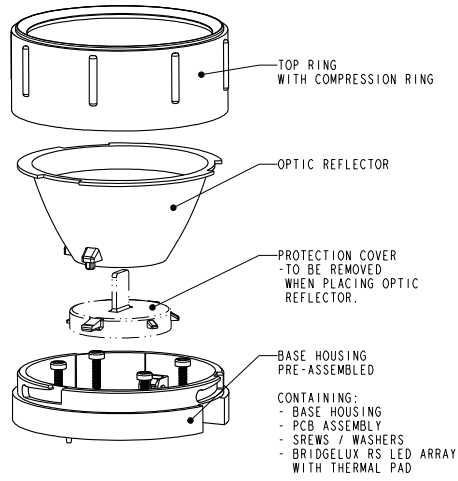
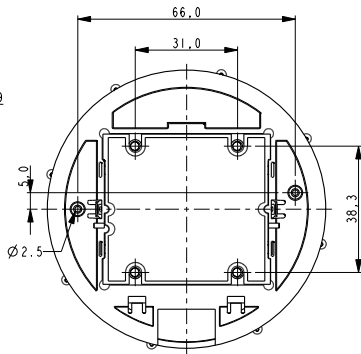
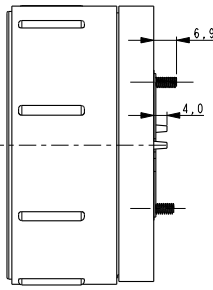
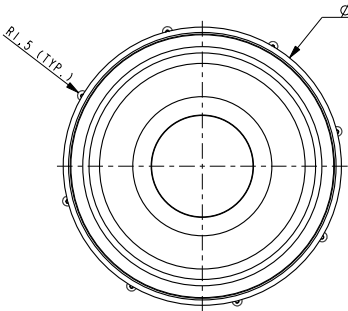
- NOTES:
- MATERIALS:
 - BRIDGELUX RS LED ARRAY
 - THERMAL PAD: SILICONE
 - BASE HOUSING: GF PBT, COLOR: WHITE
 - PCB: FR4
 - 4x SCREW, THREAD-ROLLING, TRILOBULAR, PAN HEAD, POZIDRIV CROSS-RECESSED: STEEL, ZINC PLATED, WAXED
 - 2x WASHER: STEEL, ZINC PLATED
 - OPTIC REFLECTOR: PC
 - COMPRESSION RING: PU
 - TOP RING: GF PBT, COLOR: WHITE
 - PROTECTION COVER: PP
 - COMPLIES WITH DIRECTIVE 2002/95/EC (ROHS).
 - THIS PRODUCT HAS NOT COMPLETED VALIDATION TESTING.

TYCO ELECTRONICS
CONFIDENTIAL
AND PROPRIETARY

PROPOSED DESIGN
NOT PRODUCTION TOOLED

DESIGN IS SUBJECT TO
CHANGE WITHOUT NOTICE

SCALE 7:10



NEVALO INTERCONNECT ENTRANCE

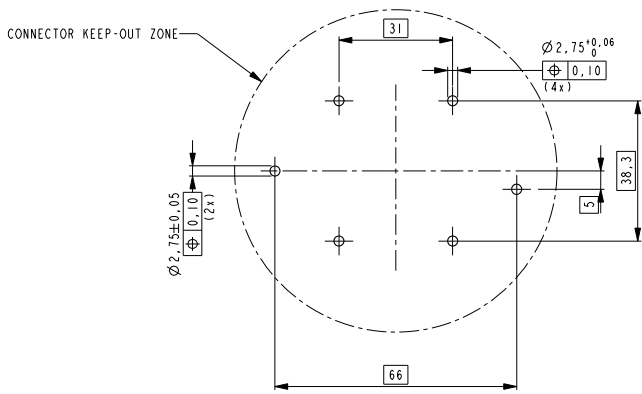
WIDE, 48°	LED-BRIDGELUX-4000K	1-2154159-3
NARROW, 28°	LED-BRIDGELUX-4000K	1-2154159-2
WIDE, 48°	LED-BRIDGELUX-3000K	2154159-3
NARROW, 28°	LED-BRIDGELUX-3000K	2154159-2
OPTIC BEAM ANGLE	LED BOARD/ARRAY	PARTNUMBER

<small>THIS DRAWING IS A CONTROLLED DOCUMENT FOR TYCO ELECTRONICS CORPORATION IT IS UNPUBLISHED. RELEASED FOR PUBLICATION. ALL RIGHTS RESERVED.</small>		DWN: J.V.D.KROEGT 18-AUG-2010 CHK: J.V.D.KROEGT 18-AUG-2010 APVD: O.LEIJNSE 18-AUG-2010		NAME: Tyco Electronics Corporation 's-Hertogenbosch, the Netherlands	
DIMENSIONS: mm 		TOLERANCES UNLESS OTHERWISE SPECIFIED: 0 PLC ± 1 PLC ± 2 PLC ± 3 PLC ± 4 PLC ± ANGLES ±		PRODUCT SPEC: 108-2459 APPLICATION SPEC: 114-13300 WEIGHT: -	
MATERIAL: - FINISH: -		SIZE: A3 CAGE CODE: 00779 DRAWING NO: ©=2154159		RESTRICTED TO: - SCALE: - SHEET: 1 OF 2 REV: 8	
CUSTOMER DRAWING					

THIS DRAWING IS UNPUBLISHED. RELEASED FOR PUBLICATION
 © COPYRIGHT - BY TYCO ELECTRONICS CORPORATION, ALL RIGHTS RESERVED.

LOC	DIST	REVISIONS					
		P	LTR	DESCRIPTION	DATE	OWN	APVD
H	-	-	-	SEE SHEET 1	-	-	-

RECOMMENDED DRILLING HOLE PATTERN



<small>THIS DRAWING IS A CONTROLLED DOCUMENT FOR TYCO ELECTRONICS CORPORATION IT IS UNPUBLISHED. IT IS THE PROPERTY OF TYCO ELECTRONICS CORPORATION AND IS TO BE KEPT UNPUBLISHED AND CONTROLLED BY TYCO ELECTRONICS CORPORATION UNLESS OTHERWISE SPECIFIED.</small>		DWN J.V.D. KROG 18-AUG-2010 CHY J.V.D. KROG 18-AUG-2010 APVD J.V.D. KROG 18-AUG-2010		Tyco Electronics Corporation 's-Hertogenbosch, the Netherlands	
DIMENSIONS: mm		TOLERANCES UNLESS OTHERWISE SPECIFIED: 0 PLC ±: 1 PLC ±: 2 PLC ±: 3 PLC ±: 4 PLC ±: ANGLES ±:		NAME O L E I N S E PRODUCT SPEC 108-2459 APPLICATION SPEC 114-13300	
MATERIAL -		FINISH -		SIZE A3 CAGE CODE 00779 DRAWING NO. ©=2154159 RESTRICTED TO -	
CUSTOMER DRAWING				SCALE - SHEET 2 OF 2 REV 8	