

4

3

2

1

THIS DRAWING IS UNPUBLISHED. RELEASED FOR PUBLICATION
COPYRIGHT BY TYCO ELECTRONICS CORPORATION, ALL RIGHTS RESERVED.

LOC		DIST		REVISIONS				
P	LTR	DESCRIPTION	DATE	OWN	APVD			
1		FIRST ISSUE	18NOV2010	PP	JK			
2		ADDED PARTN., UPDATED NOTES AND VIEWS.	28DEC2010	PP	JK			
3		MOD. DESCR. IN NOTES, TABLE; REMOVED P/N'S	10JAN2011	PP	JK			
4		CHANGED: DRILLHOLE SIZES; SCREW TYPE.	01FEB2011	PP	OL			

NOTES:

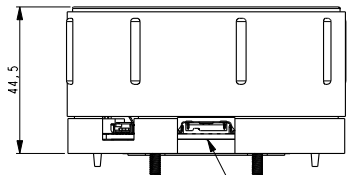
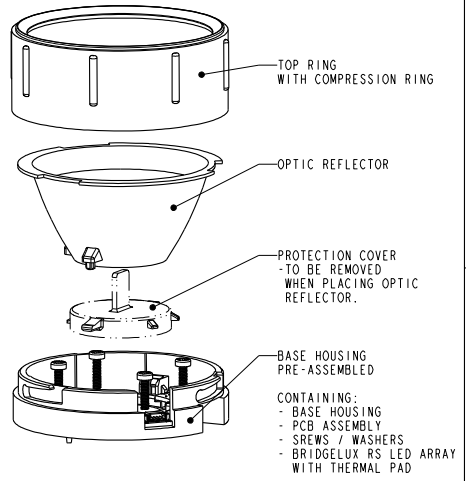
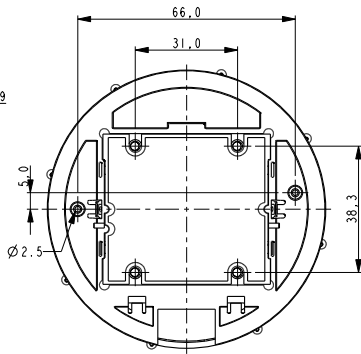
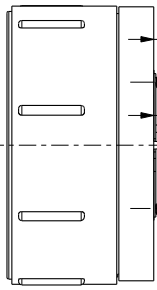
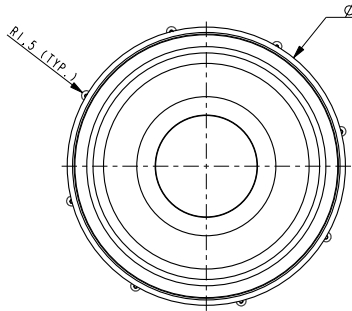
- MATERIALS:
 - BRIDGELUX RS LED ARRAY
 - THERMAL PAD: SILICONE
 - BASE HOUSING: GF PBT, COLOR: WHITE
 - PCB: FR4
 - 4x SCREW, THREAD-ROLLING, TRILOBULAR, PAN HEAD, POZIDRIV CROSS-RECESSED: STEEL, ZINC PLATED, WAXED
 - 2x WASHER STEEL, ZINC PLATED
 - OPTIC REFLECTOR: PC
 - COMPRESSION RING: PU
 - TOP RING: GF PBT, COLOR: WHITE
 - PROTECTION COVER: PP
- COMPLIES WITH DIRECTIVE 2002/95/EC (ROHS).
- THIS PRODUCT HAS NOT COMPLETED VALIDATION TESTING

TYCO ELECTRONICS
CONFIDENTIAL
AND PROPRIETARY

PROPOSED DESIGN
NOT PRODUCTION TOOLED

DESIGN IS SUBJECT TO
CHANGE WITHOUT NOTICE

SCALE 7:10



NEVALO INTERCONNECT ENTRANCE

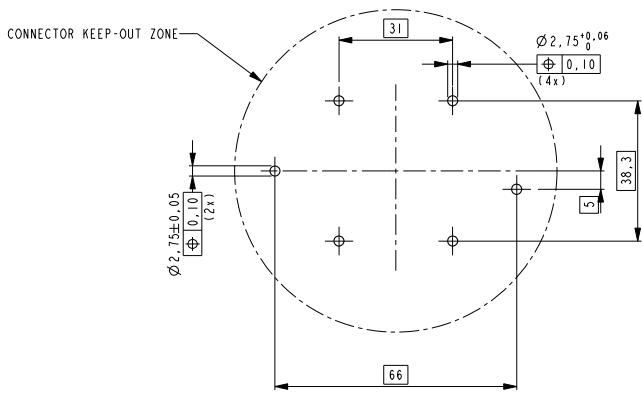
NARROW, 28°	LED-BRIDGELUX-4000K	1-2154149-1
NARROW, 28°	LED-BRIDGELUX-3000K	2154149-1
OPTIC BEAM ANGLE	LED BOARD/ARRAY	PARTNUMBER

<small>THIS DRAWING IS A CONTROLLED DOCUMENT FOR TYCO ELECTRONICS CORPORATION IT IS UNPUBLISHED. RELEASED FOR PUBLICATION. ALL RIGHTS RESERVED.</small>		DWN J.V.D. KROGT 18-AUG-2010	Tyco Electronics Corporation 's-Hertogenbosch, the Netherlands
DIMENSIONS: mm		CHK J.V.D. KROGT 18-AUG-2010	
TOLERANCES UNLESS OTHERWISE SPECIFIED: 0 PLC ± - 1 PLC ± - 2 PLC ± - 3 PLC ± - 4 PLC ± - ANGLES ± -		APVD O. JELINSE 18-AUG-2010	CIRCULAR LIGHT MODULE THERMAL ASSEMBLY FOR SINGLE LED ARRAY, 88MM DIA CN88
MATERIAL - FINISH -		PRODUCT SPEC 108-2459	
APPLICATION SPEC 114-13300		WEIGHT -	SIZE CAGE CODE DRAWING NO RESTRICTED TO A3 00779 ©= 2154149 -
CUSTOMER DRAWING		SCALE - SHEET 1 OF 2 REV 4	

THIS DRAWING IS UNPUBLISHED. RELEASED FOR PUBLICATION
 © COPYRIGHT BY TYCO ELECTRONICS CORPORATION. ALL RIGHTS RESERVED.

LOC	DIST	REVISIONS					
		P	LTR	DESCRIPTION	DATE	OWN	APVD
H	-	-	-	SEE SHEET 1	-	-	-

RECOMMENDED DRILLING HOLE PATTERN



<small>THIS DRAWING IS A CONTROLLED DOCUMENT FOR TYCO ELECTRONICS CORPORATION IT IS UNPUBLISHED. IT IS THE PROPERTY OF TYCO ELECTRONICS CORPORATION IT IS TO BE KEPT UNPUBLISHED AND NOT TO BE REPRODUCED OR TRANSMITTED IN ANY FORM OR BY ANY MEANS WITHOUT THE WRITTEN PERMISSION OF TYCO ELECTRONICS CORPORATION</small>		DWN 18-AUG-2010 J.V.D. KROGT CHK 18-AUG-2010 J.V.D. KROGT APVD 18-AUG-2010 O. JELINSE		Tyco Electronics Corporation 's-Hertogenbosch, the Netherlands	
DIMENSIONS: mm		TOLERANCES UNLESS OTHERWISE SPECIFIED: 0 PLC ± - 1 PLC ± - 2 PLC ± - 3 PLC ± - 4 PLC ± - ANGLES ± -		NAME PRODUCT SPEC APPLICATION SPEC WEIGHT	
MATERIAL -		FINISH -		SIZE CAGE CODE DRAWING NO RESTRICTED TO A3 00779 C= 2154149 -	
CUSTOMER DRAWING				SCALE - SHEET 2 OF 2 REV 4	