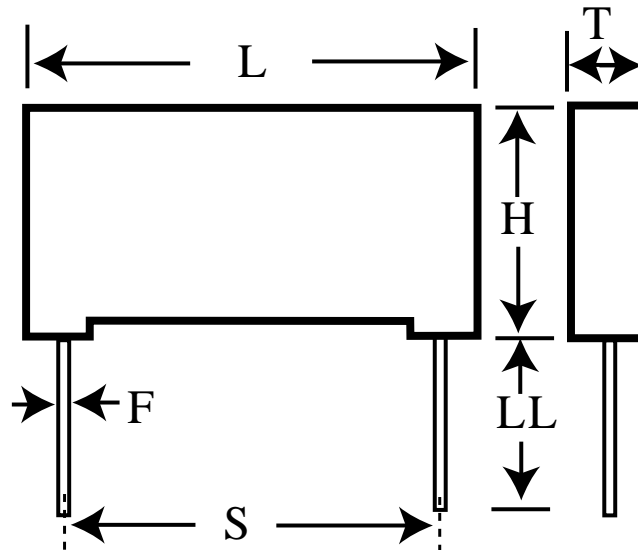


# PME261JB5100KR30

aka P561QE103K500A

Capacitor, film, 0.01  $\mu$ F, +/-10% Tol, -40/+100C, AC General Purpose, 500VAC, Lead Spacing=15.2 mm



## Dimensions (mm)

ID	Dimension	Tolerance
L	18.5	max
H	10.5	max
T	5.2	max
S	15.2	+/-0.4
LL	30	nom
F	0.8	nom

## Specifications

Manufacturer:	KEMET
Brand:	Rifa
Capacitance:	0.01 $\mu$ F
Temperature Range:	-40/+100C
Rated Temperature:	100C
Voltage @ rated temp:	1000V
Voltage AC:	500VAC
Tolerance:	+/-10%
Body Type:	Radial Molded
Construction:	Non-inductive
Application:	AC General Purpose
Dielectric:	Metallized Paper
Dissipation Factor @ 1 kHz:	1.3%
Insulation Resistance:	12 GOhm
Maximum dVdT:	2000v/us
Miscellaneous Electrical:	PME261
Package Kind:	Bulk
Package Quantity:	500