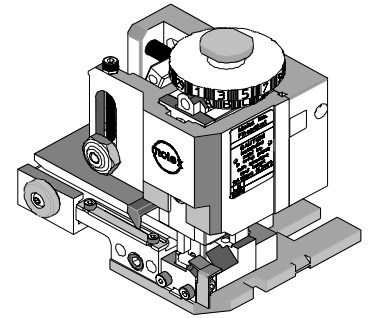




FineAdjust Applicator Specification Sheet Part No. 63860-8000



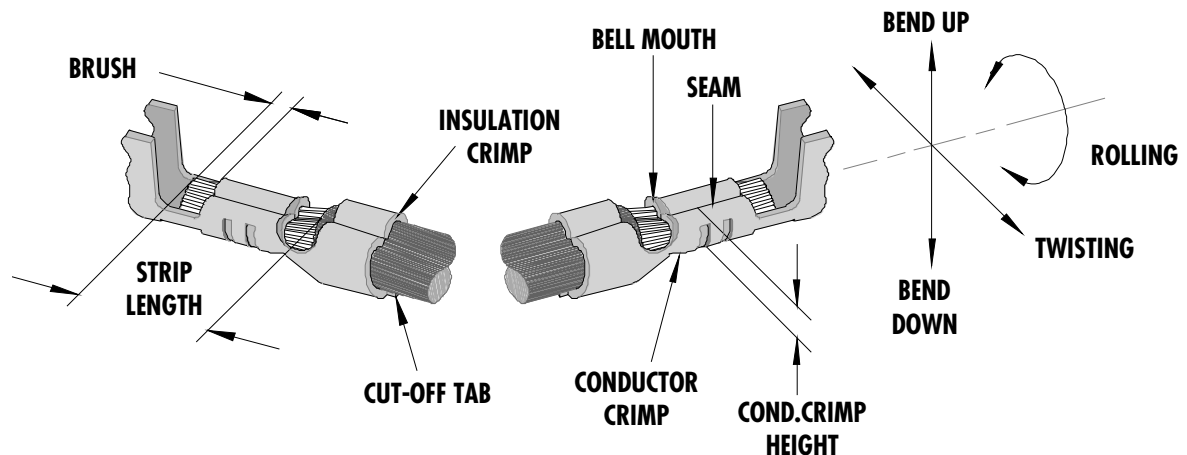
FEATURES

- Quick punch removal with the push of a button for fast and easy tooling change
- Applicator designed to industry standard mounting and shut height 135.80mm (5.346")
- Quick set-up time; plus the crimp height, track and feed adjustments can be set without removing the applicator from the press
- Fine adjustment allows users to achieve target with little effort by adjusting in increments of 0.15mm (.0006") for conductor crimp height and .063mm (.0025") for insulation height
- Independent adjustment rings allow users to quickly adjust the conductor or insulation crimp height without affecting each other
- Directly adapts to most automatic wire processing machines

SCOPE

Terminal Series No.	Wire Size		Insulation Diameter		Strip Length	
	AWG	mm ²	mm	In.	mm	In.
43030-0004	26-30	0.12-0.05	1.12-1.27	.044-.050	2.54-2.92	.100-.115
43030-0005	26-30	0.12-0.05	1.12-1.27	.044-.050	2.54-2.92	.100-.115
43030-0006	26-30	0.12-0.05	1.12-1.27	.044-.050	2.54-2.92	.100-.115
43031-0004	26-30	0.12-0.05	1.12-1.27	.044-.050	2.54-2.92	.100-.115
43031-0005	26-30	0.12-0.05	1.12-1.27	.044-.050	2.54-2.92	.100-.115
43031-0006	26-30	0.12-0.05	1.12-1.27	.044-.050	2.54-2.92	.100-.115

DEFINITION OF TERMS



The above terminal drawing is a generic terminal representation. It is not an image of a terminal listed in the scope.

CRIMP SPECIFICATION

Terminal Series No.	Bell mouth		Cut-off Tab Max.		Conductor Brush	
	mm	In.	mm	In.	mm	In.
43030-0004	0.05-0.40	.002-.016	0.15	.006	0.20-0.80	.008-.031
43030-0005	0.05-0.40	.002-.016	0.15	.006	0.20-0.80	.008-.031
43030-0006	0.05-0.40	.002-.016	0.15	.006	0.20-0.80	.008-.031
43031-0004	0.05-0.40	.002-.016	0.15	.006	0.20-0.80	.008-.031
43031-0005	0.05-0.40	.002-.016	0.15	.006	0.20-0.80	.008-.031
43031-0006	0.05-0.40	.002-.016	0.15	.006	0.20-0.80	.008-.031

Terminal Series No.	Bend up Bend down		Twist Roll		Punch Width mm (Ref)				Seam
	Degree		Degree		Conductor		Insulation		
					mm	In	mm	In	
43030-0004	3	3	4	8	1.10	.043	1.60	.063	Seam shall not be open and no wire allowed out of the crimping area
43030-0005	3	3	4	8	1.10	.043	1.60	.063	
43030-0006	3	3	4	8	1.10	.043	1.60	.063	
43031-0004	3	3	4	8	1.10	.043	1.60	.063	
43031-0005	3	3	4	8	1.10	.043	1.60	.063	
43031-0006	3	3	4	8	1.10	.043	1.60	.063	

After crimping, the conductor profile should measure the following.

Terminal Series No.	Wire Size		Crimp Height		Pull Force Min.	
	AWG	mm ²	mm	In.	N	Lb.
43030-0004	26	0.12	0.74-0.79	.029-.031	13.4	3.0
43030-0004	28	0.08	0.71-0.76	.028-.030	8.9	2.0
43030-0004	30	0.05	0.69-0.74	.027-.029	6.7	1.5
43030-0005	26	0.12	0.74-0.79	.029-.031	13.4	3.0
43030-0005	28	0.08	0.71-0.76	.028-.030	8.9	2.0
43030-0005	30	0.05	0.69-0.74	.027-.029	6.7	1.5
43030-0006	26	0.12	0.74-0.79	.029-.031	13.4	3.0
43030-0006	28	0.08	0.71-0.76	.028-.030	8.9	2.0
43030-0006	30	0.05	0.69-0.74	.027-.029	6.7	1.5

Terminal Series No.	Wire Size		Crimp Height		Pull Force Min.	
	AWG	mm ²	mm	In.	N	Lb.
43031-0004	26	0.12	0.74-0.79	.029-.031	13.4	3.0
43031-0004	28	0.08	0.71-0.76	.028-.030	8.9	2.0
43031-0004	30	0.05	0.69-0.74	.027-.029	6.7	1.5
43031-0005	26	0.12	0.74-0.79	.029-.031	13.4	3.0
43031-0005	28	0.08	0.71-0.76	.028-.030	8.9	2.0
43031-0005	30	0.05	0.69-0.74	.027-.029	6.7	1.5
43031-0006	26	0.12	0.74-0.79	.029-.031	13.4	3.0
43031-0006	28	0.08	0.71-0.76	.028-.030	8.9	2.0
43031-0006	30	0.05	0.69-0.74	.027-.029	6.7	1.5

Pull Force should be measured with no influence from the insulation crimp.

The above specifications are guidelines to an optimum crimp.

PARTS LIST

Item	Order No	Engineering No.	Description	Quantity
	63860-8000	63860-8000	FineAdjust Applicator (Fig. 1)	REF
1	63444-1116	63444-1116	Conductor Punch	1 Y
2	63445-1122	63445-1122	Conductor Anvil	1 Y
3	63446-1610	63446-1610	Insulation Punch	1 Y
4	63445-1613	63445-1613	Insulation Anvil	1 Y
5	63443-0002	63443-0002	Cut-Off Plunger	1 Y
6	63443-0012	63443-0012	Front Plunger Retainer	1 Y
7	11-24-1067	4996-4	Cut-off Plunger Spring	1
8	11-40-4039	8302-5	Front Plunger Striker	1
9	63443-0021	63443-0021	Lower Tooling Key	1
10	63443-6003	63443-6003	Rear Cover	1
11	11-18-4083	60707-8	Front Cover	1
12	63443-2409	63443-2409	Anvil Mount	1
13	63443-4005	63443-4005	Wire Stop	1
14	63443-0009	63443-0009	Scrape Chute	1
15	63800-4900	63800-4900	Fine Adjust Applicator Frame	1
16	N/A	N/A	M3 by 6Lg. SHCS	2**
17	N/A	N/A	M4 by 6Lg. SHCS	1**
18	N/A	N/A	M4 by 12Lg. BHCS	2**
19	N/A	N/A	M4 by 16Lg SHCS	1**
20	N/A	N/A	M4 by 20Lg. SHCS	1**
21	N/A	N/A	M4 by 50Lg. SHCS	1**
22	N/A	N/A	3MM by 6Lg. Roll Pin	1**
23	N/A	N/A	#10-32 by 1/4"Lg. BHCS	1**
	63860-8070	63860-8070	Tool Kit (All Y Items)	REF

** The following purchased parts are available from an Industrial supply company such as MSC (1-800-645-7270).

Assembly Drawing

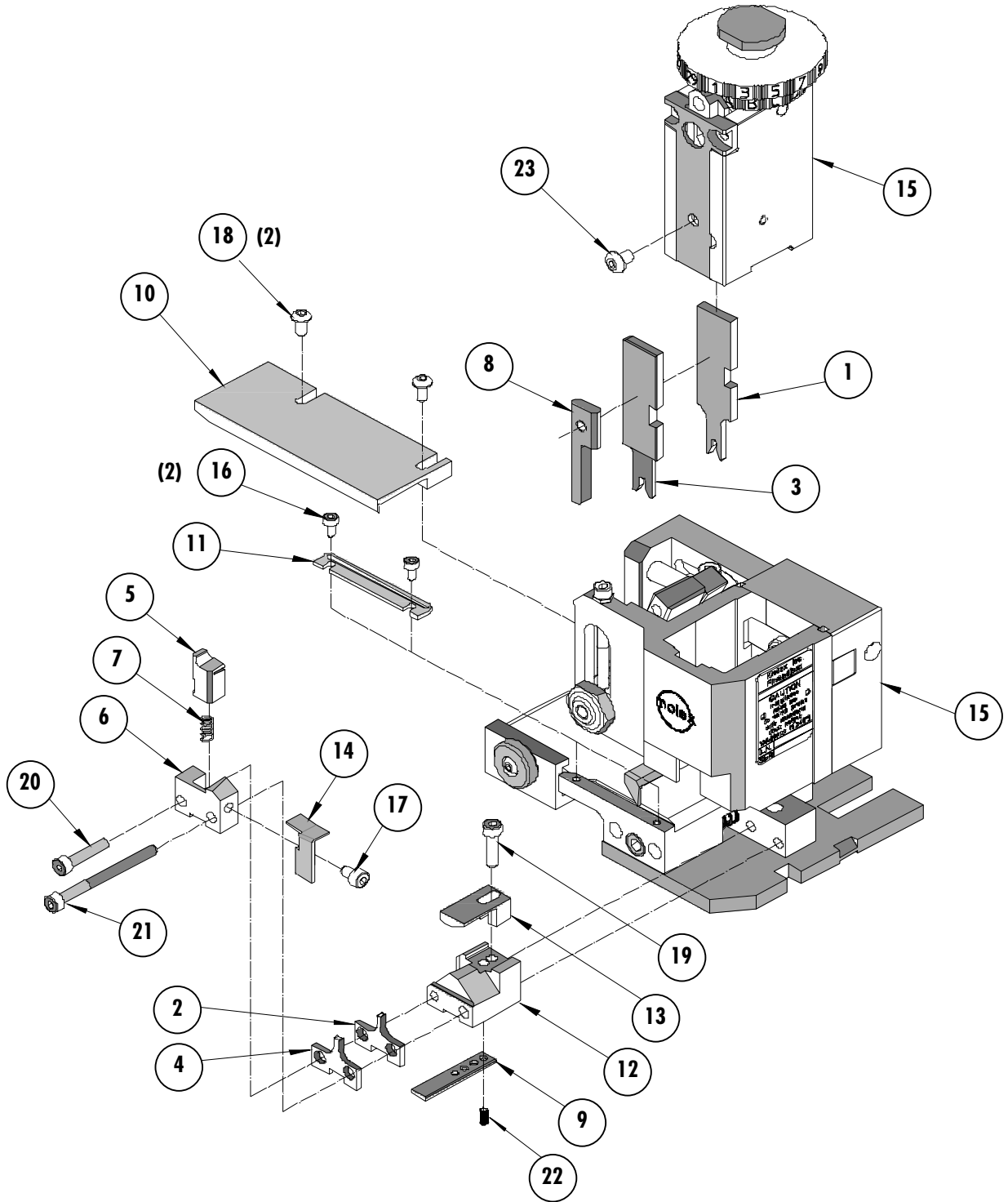


Figure 1

NOTES

1. Molex recommends an extra perishable tooling kit be maintained at your facility.
2. Verify tooling alignment by manually cycling the press and Applicator before crimping under power. Check that all screws are tight.
3. Slugs, Terminals, Dirt and Oil should be kept clear of work area.
4. Wear safety glasses at all times.
5. For recommended maintenance refer to the FineAdjust Manual.

CAUTION: This applicator should only be used in a press with a shut height of 135.8 mm (5.346"). Tooling damage could result at a lower setting.

CAUTION: To prevent injury never operate this Applicator without the guards supplied with the press or wire-processing machine in place. Reference the press or wire processing manufacturer's instruction manual.

CAUTION: Molex crimp specifications are valid only when used with Molex terminals, applicators and tooling.

Molex Application Tooling Group

1150 E. Diehl Road
Naperville, IL 60563
Tel: (630) 969-4550
Fax: (630) 505-0049

Visit our Web site at <http://www.molex.com>