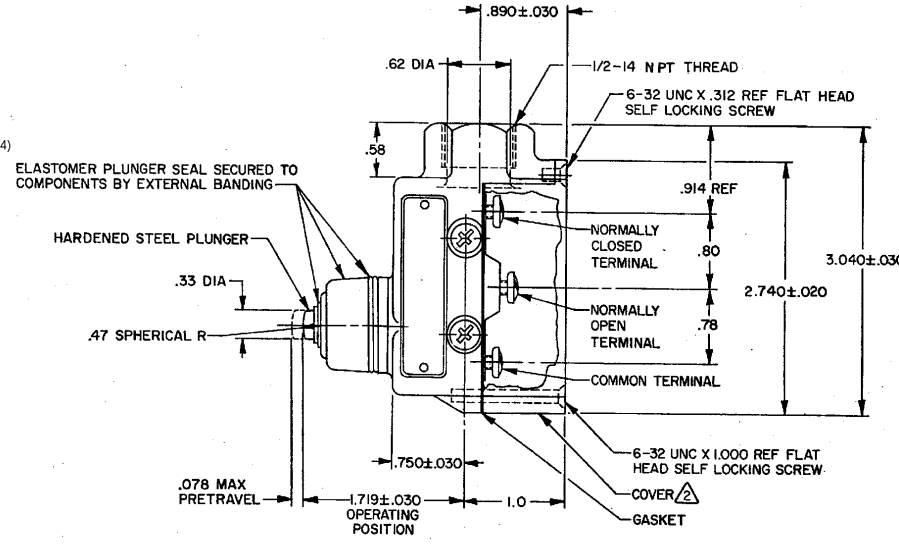
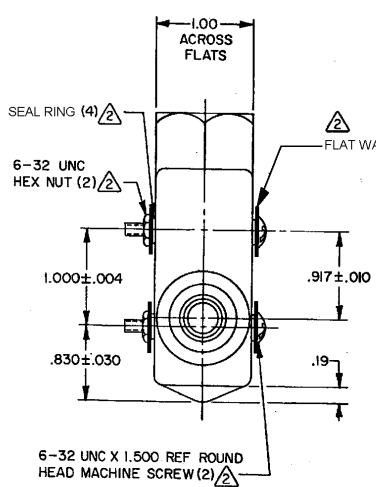


MICRO SWITCH
 FREEPORT, ILLINOIS, U.S.A.
 A DIVISION OF HONEYWELL
 FED. MFG. CODE 91829

SWITCH-ENCLOSED

CATALOG LISTING
BZE6-3RN

M BZE6-3RN
 DRAWING NUMBER
 ISSUE 7
 REVISIONS
 A 100319-1
 2 MAY 84
 B 100319-2
 4 SEP 92
 C 1004859
 9 JAN 95
 D 10072470
 4 SEP 92
 E 1007384
 16 JUN 94
 F 10017057
 VRS
 22NOV05
 RELEASE NO. PR-8488
 22NOV05
 BP
 26 FEB 80
 WJM
 26 FEB 80
 WJM
 26 FEB 80
 WJM



- NOTES -
- 1 - 6-32 UNC X .219 REF BINDING HEAD TERMINAL SCREW AND CUPWASHER (3) FURNISHED UNASSEMBLED
 - 2 - SEAL RATING: NEMA1,3
 - IP54

THIS DRAWING COVERS A PROPRIETARY ITEM AND IS THE PROPERTY OF MICRO SWITCH, A DIVISION OF HONEYWELL. THIS DRAWING IS NOT TO BE COPIED OR USED WITHOUT THE APPROVAL OF MICRO SWITCH.		
CHARACTERISTICS	ELECTRICAL DATA	SCALE FULL
OPERATING FORCE ----- 14-31 OZ	CONTACT ARRANGEMENT S P D T	DO NOT SCALE PRINT
RELEASE FORCE ----- 4 OZ MIN	15A-125, 250 OR 480 VAC, 2A-600 VAC 1/8 HP-125 VAC; 1/4 HP-250 VAC 1/2A-125 VDC; 1/4A-250 VDC CODE L74	UNLESS OTHERWISE NOTED
DIFFERENTIAL TRAVEL ----- .005 MAX		DIMENSIONS ARE IN INCHES
OVERTRAVEL ----- .219 MIN		TOLERANCES ARE: ONE PLACE (.0) ±.080 TWO PLACE (.00) ±.018 THREE PLACE (.000) ±.008 ANGLE ±
BASIC SWITCH REPLACEMENT --- BZ-3RQ67	1.5A, 240Vac	WEIGHT .56 LB