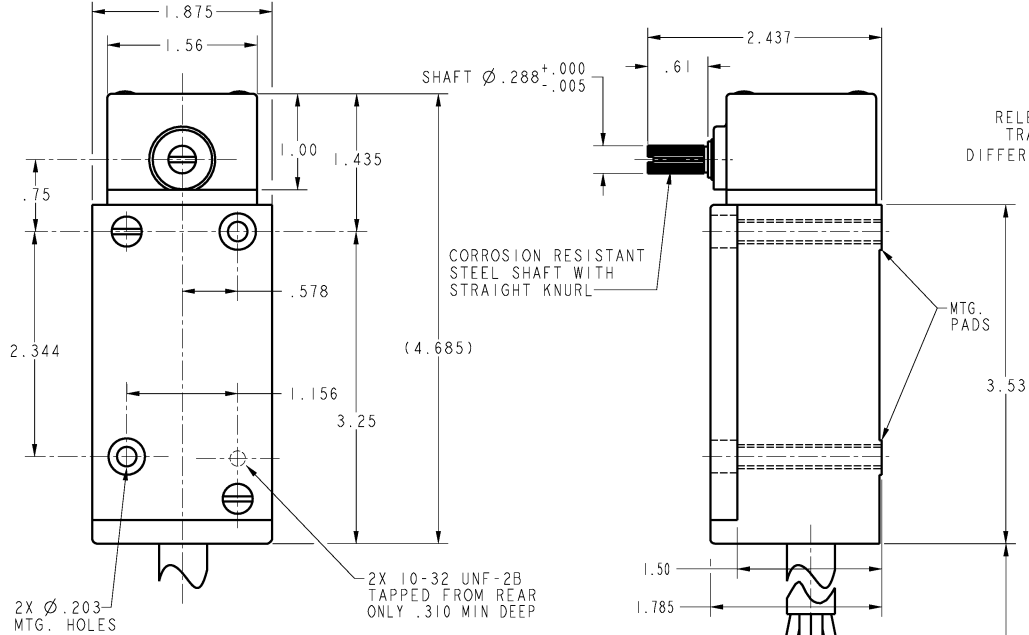


PTC/CAD
 DRAWN
 GLH 26 MAR 97
 CHECK
 REVISIONS
 A 23 APR 97
 CHECK
 ISSUE 2
 OF 2
 CATALOG LISTING
 L SQYAB4LX249
 RELEASE NO. PR-22627
 REPLACES

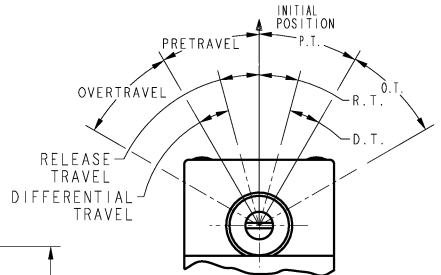
MICRO SWITCH
 a Honeywell Division
 FED. MFG. CODE 91929

SWITCH-ENCLOSED

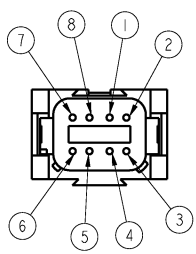
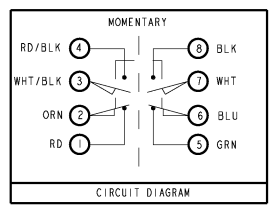
CATALOG LISTING
LSQYAB4LX249
 (DOUBLE POLE, NON-PLUG IN)



SWITCH IS FACTORY SEALED



OPERATING DATA - SIDE ROTARY



THIS DRAWING COVERS A PROPRIETARY ITEM AND IS THE PROPERTY OF MICRO SWITCH, A DIVISION OF HONEYWELL. THIS DRAWING IS NOT TO BE COPIED OR USED WITHOUT THE APPROVAL OF MICRO SWITCH.		THIRD ANGLE PROJECTION
CHARACTERISTICS OPERATING TORQUE..... 4 IN LBS MAX FULL TRAVEL TORQUE..... 4 IN LBS MAX TOTAL TRAVEL..... 75° REF PRETRAVEL..... 15° MAX DIFFERENTIAL TRAVEL..... 5° MAX OVERTRAVEL..... 60° MIN	ELECTRICAL DATA CONTACT ARRANGEMENT DPDT	SCALE FULL DO NOT SCALE PRINT UNLESS OTHERWISE SPECIFIED TOLERANCES ARE ONE PLACE (.0) ±.030 TWO PLACE (.00) ±.015 THREE PLACE (.000) ±.005 ANGLES ±
		WEIGHT

ANSI Y14.5M-1982 APPLIES