

## SERIES 95C

6mm Square, Washable



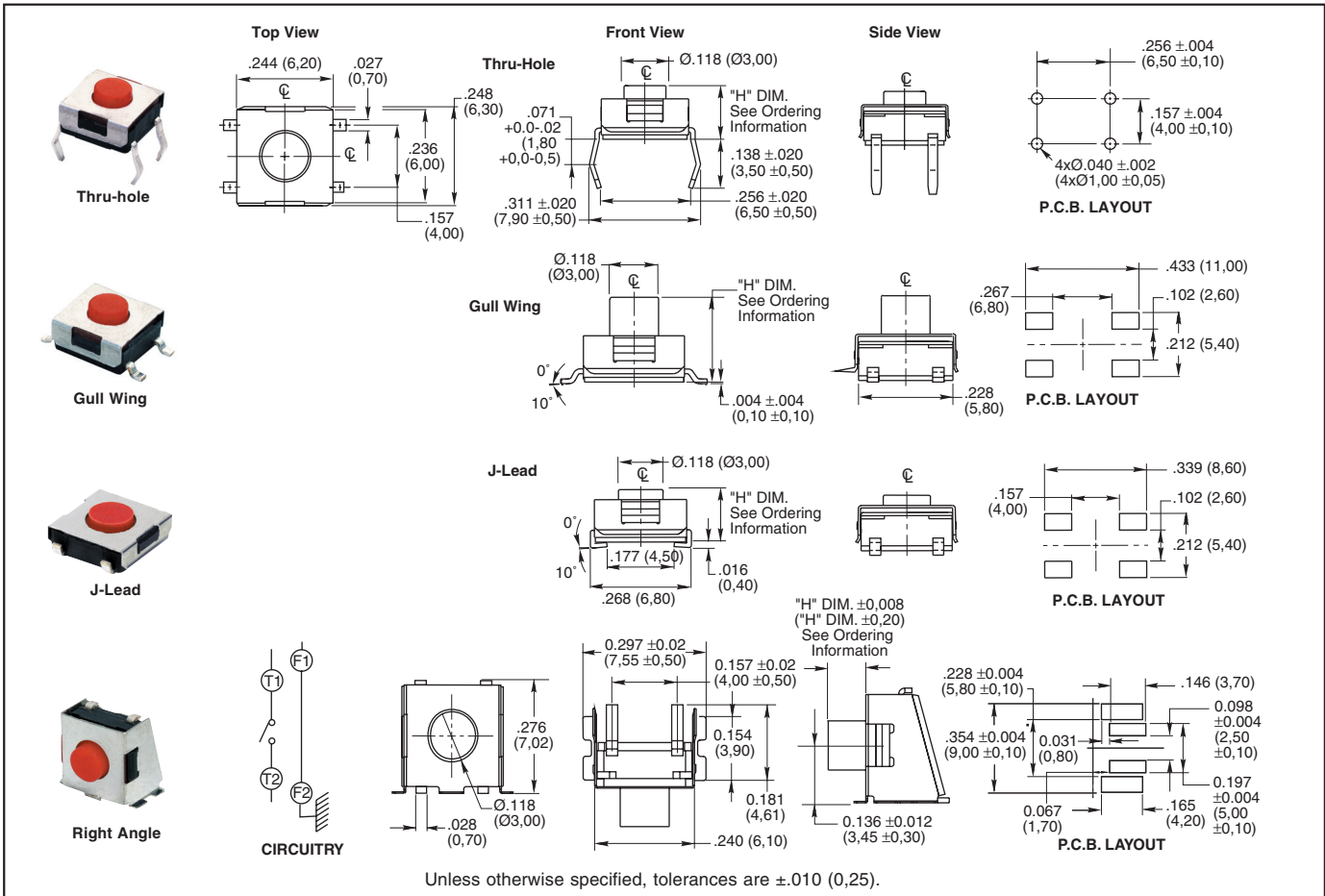
### FEATURES

- Designed to Allow Submersed Washing After Soldering
- Excellent Tactile Feedback
- Thru-hole, Gull Wings, Right Angle, and J-Lead Versions
- Surface Mount Versions Compatible with SMT Assembly Including Infrared and Vapor Phase
- Ultraminiature and Lightweight Structure Suitable for High Density Mounting

### APPLICATIONS

Used in applications such as consumer electronics, audio equipment, PCs, VCRs, cable boxes, modems, communications equipment, controls, security and alarm equipment, and test and measurement equipment.

### DIMENSIONS: Washable Switches In inches (and millimeters)



### SPECIFICATIONS:

#### Washable Switches

##### Materials

**Base:** UL94V-0 Nylon thermoplastic  
**Cover:** Stainless steel, nickel silver  
**Actuator:** Silicone rubber  
**Terminal:** Brass with silver-plating  
**Contact:** Stainless steel with silver-plating

##### Electrical

**Rating:** 50mA, 12 Vdc  
**Life:** See table, page C-12  
**Actuator Travel:**  $.018" \pm .008"$   
**Contact Resistance:** 100 m $\Omega$  max.

**Insulation Resistance:** 100M $\Omega$  min. at 500Vdc  
**Dielectric Strength:** No dielectric breakdown after 250V for one minute  
**Contact Arrangement:** single pole, single throw

##### Environmental

**Operating Temp. Range:** -25 to 70°C  
**Storage Temp. Range:** -30 to 80°C  
**Mechanical Shock:** MIL-STD-202F, Method 213B, Test Condition A. Gravity: 50G's (peak value), 11 msec. Direction and times: 6 sides and 3 times in each direction. High reliability.  
**Vibration:** MIL-STD-202F, Method 201A.

Passed 6 hours (2 hours in each) of three perpendicular planes at a cycle of 10-55-10Hz/minute. High reliability.

##### Soldering Process

**Hand Soldering:** Use a soldering iron of 30 watts, controlled at 350°C for 5 seconds maximum while applying solder.

**Reflow Soldering** (surface mount versions only): Peak temperature 260°C (500°F).

**Wave Soldering:** 260°C (500°F) maximum for 5 seconds subject to PCB .063 in. (1,60 mm) thickness.

## ORDERING INFORMATION: Washable Switches

## Thru-Hole

Part Number	Height ("H") in (mm)	Force (Grams)	Actuator Color	Electrical Life (Cycles)	Tube Packaging
95CW06A1T	.091 (2,3)	160	Silver	100,000	75PCS/Tube
95CW06B1T	.122 (3,1)	160	Brown	100,000	75PCS/Tube
95CW06C2T	.138 (3,5)	180	Brown	500,000	75PCS/Tube
95CW06C3T	.138 (3,5)	260	Red	500,000	75PCS/Tube
95CW06C5T	.138 (3,5)	360	Clear	500,000	75PCS/Tube
95CW06D2T	.150 (3,8)	180	Brown	500,000	75PCS/Tube
95CW06D3T	.150 (3,8)	260	Red	500,000	75PCS/Tube
95CW06D4T	.150 (3,8)	520	Yellow	50,000	75PCS/Tube
95CW06D5T	.150 (3,8)	360	Clear	500,000	75PCS/Tube
95CW06E2T	.205 (5,2)	180	Brown	500,000	77PCS/Tube
95CW06E3T	.205 (5,2)	260	Red	500,000	77PCS/Tube
95CW06E4T	.205 (5,2)	520	Yellow	50,000	77PCS/Tube
95CW06E5T	.205 (5,2)	360	Clear	500,000	77PCS/Tube

## Gull Wing

Part Number	Height ("H") in (mm)	Force (Grams)	Actuator Color	Electrical Life (Cycles)	Tube Packaging	Tape & Reel* Packaging
95CW06A1GWT	.091 (2,29)	160	Silver	100,000	75PCS/Tube	2000PCS/Reel
95CW06B1GWT	.122 (3,10)	160	Brown	100,000	75PCS/Tube	2000PCS/Reel
95CW06C2GWT	.138 (3,51)	180	Brown	500,000	75PCS/Tube	1900PCS/Reel
95CW06C3GWT	.138 (3,51)	260	Red	500,000	75PCS/Tube	1900PCS/Reel
95CW06C5GWT	.138 (3,51)	360	Clear	500,000	75PCS/Tube	1900PCS/Reel
95CW06D2GWT	.150 (3,81)	180	Brown	500,000	75PCS/Tube	1900PCS/Reel
95CW06D3GWT	.150 (3,81)	260	Red	500,000	75PCS/Tube	1900PCS/Reel
95CW06D4GWT	.150 (3,81)	520	Yellow	50,000	75PCS/Tube	1900PCS/Reel
95CW06D5GWT	.150 (3,81)	360	Clear	500,000	75PCS/Tube	1900PCS/Reel
95CW06E2GWT	.205 (5,21)	180	Brown	500,000	77PCS/Tube	900PCS/Reel
95CW06E3GWT	.205 (5,21)	260	Red	500,000	77PCS/Tube	900PCS/Reel
95CW06E4GWT	.205 (5,21)	520	Yellow	50,000	77PCS/Tube	900PCS/Reel
95CW06E5GWT	.205 (5,21)	360	Clear	500,000	77PCS/Tube	900PCS/Reel

## J-Lead

Part Number	Height ("H") in (mm)	Force (Grams)	Actuator Color	Electrical Life (Cycles)	Tube Packaging	Tape & Reel* Packaging
95CW06A1JT	.091 (2,29)	160	Silver	100,000	75PCS/Tube	2000PCS/Reel
95CW06B1JT	.122 (3,10)	160	Brown	100,000	75PCS/Tube	1900PCS/Reel
95CW06C2JT	.138 (3,51)	180	Brown	500,000	75PCS/Tube	1800PCS/Reel
95CW06C3JT	.138 (3,51)	260	Red	500,000	75PCS/Tube	1800PCS/Reel
95CW06C5JT	.138 (3,51)	360	Clear	500,000	75PCS/Tube	1800PCS/Reel
95CW06D2JT	.150 (3,81)	180	Brown	500,000	75PCS/Tube	1800PCS/Reel
95CW06D3JT	.150 (3,81)	260	Red	500,000	75PCS/Tube	1800PCS/Reel
95CW06D4JT	.150 (3,81)	520	Yellow	50,000	75PCS/Tube	1800PCS/Reel
95CW06D5JT	.150 (3,81)	360	Clear	500,000	75PCS/Tube	1800PCS/Reel
95CW06E2JT	.205 (5,21)	180	Brown	500,000	77PCS/Tube	900PCS/Reel
95CW06E3JT	.205 (5,21)	260	Red	500,000	77PCS/Tube	900PCS/Reel
95CW06E4JT	.205 (5,21)	520	Yellow	50,000	77PCS/Tube	900PCS/Reel
95CW06E5JT	.205 (5,21)	360	Clear	500,000	77PCS/Tube	900PCS/Reel

## Right Angle

Part Number	Height in ("H") (mm)	Force (Grams)	Actuator Color	Electrical Life (Cycles)	Tape & Reel Packaging
95CW06A3RART	.031 (0,79)	260	Red	500,000	700PCS/Reel
95CW06B3RART	.039 (0,99)	260	Red	500,000	700PCS/Reel
95CW06C3RART	.091 (2,31)	260	Red	500,000	700PCS/Reel

Available from your local Grayhill Component Distributor. \*Insert "R" before "T" for tape and reel packaging. For prices and discounts, contact a local Sales Office, an authorized local distributor, or Grayhill.