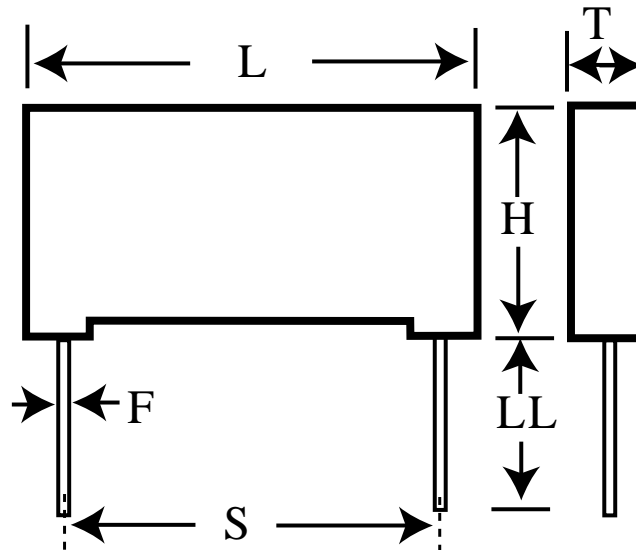


PME264NC5330MR19T0

aka P264CP333M660L

Capacitor, film, 0.033 uF, +/-20% Tol, -40/+85C, Safety: X2, 660VAC,
Lead Spacing=20.3 mm



Dimensions (mm)

ID	Dimension	Tolerance
L	24	max
H	16.5	max
T	11.3	max
S	20.3	+/-0.4
LL	19	nom
F	0.8	nom

Specifications

Manufacturer:	KEMET
Brand:	Rifa
Capacitance:	0.033 uF
Temperature Range:	-40/+85C
Rated Temperature:	85C
Voltage @ rated temp:	1500V
Voltage AC:	660VAC
Tolerance:	+/-20%
Body Type:	Radial Molded
Construction:	Non-inductive
Application:	Safety: X2
Dielectric:	Metallized Paper
Dissipation Factor @ 1 kHz:	1.3%
Insulation Resistance:	12 GOhm
Maximum dVdT:	1000v/us
UL_1283:	600V
IEC_60384-14:	600V
EN_132400:	600V
Miscellaneous Electrical:	Rated 1600DC at 50C series(PME264)
Package Kind:	T&R
Package Quantity:	1