

DUAL ENTRY SOLENOID KEY OPERATED SAFETY INTERLOCK NOMENCLATURE

GK

BODY / INDICATOR	CONDUIT / SEAL	BASIC II	HEAD	KEY	TYPE / OVER-RIDE	SOLENOID VOLTAGE
L HEAD TO LEFT - WITH INDICATORS	A 1/2 NPT - VITON SEALS	2 2 SNAP ACTION DPDT	L OPENING TO FRONT AND TOP	6 STRAIGHT	A SOLENOID UNLOCK WITH SCREWDRIVER	1 12 VDC
R HEAD TO RIGHT - WITH INDICATORS	B PG 13.5 - VITON SEALS	3 2 SLOW ACTING SPDT BBM	M OPENING TO RIGHT AND TOP	7 90 DEGREE	S SLOT OVER-RIDE	2 24 VDC
F HEAD TO LEFT - WITHOUT INDICATORS	C 20 MM - VITON SEALS	4 SLOW ACTING 2 NC	N OPENING TO BACK AND TOP	8 UP - DOWN, SPRING LOADED	B SOLENOID UNLOCK WITHOUT OVER-RIDE	3 48 VDC
G HEAD TO RIGHT - WITHOUT INDICATORS	D PF 1/2 - VITON SEALS	10 SLOW ACTING 4 NC	P OPENING TO LEFT AND TOP	9 SIDE - SIDE, SPRING LOADED	S SOLENOID LOCK WITH SCREWDRIVER	4 120 VAC
	E 1/2 NPT - BUNA-N SEALS	12 SLOW ACTING 2 NC - 1 NO BBM		X NO KEY	T SLOT OVER-RIDE	6 240 VAC
	F PG 13.5 - BUNA-N SEALS	14 SLOW ACTING 2 NC - 2 NO BBM - GOLD				
	G 20 MM - BUNA-N SEALS	15 SLOW ACTING 2 NC - 2 NO BBM - GOLD				
	H PF 1/2 - BUNA-N SEALS	16 SLOW ACTING 3 NC - 1 NO BBM				
		30 2 SLOW ACTING 4 NC - GOLD				
		32 2 SLOW ACTING 2 NC - 1 NO BBM - GOLD				
		34 2 SLOW ACTING 2 NC - 2 NO BBM - GOLD				
		36 2 SLOW ACTING 3 NC - 1 NO BBM - GOLD				
		40 2 SLOW ACTING 4 NC				
		42 2 SLOW ACTING 2 NC - 1 NO BBM				
		44 2 SLOW ACTING 2 NC - 2 NO BBM				
		46 2 SLOW ACTING 3 NC - 1 NO BBM				

NOTES

- 1 - ZINC DIECAST BODY AND HEAD WITH STEEL COVER. BODY, HEAD AND COVER FINISHED WITH EPOXY PAINT.
- 2 - PROVIDED WITH PLASTIC SNAP FIT COVER TO PLUG UNUSED KEY ENTRY WINDOW.
- 3 - THE LEFT INDICATOR IS GREEN AND THE RIGHT INDICATOR IS RED. NOT PRESENT ON BODY/INDICATOR CODES F OR G.
- 4 - MAXIMUM OPERATING FREQUENCY (Fmax) : 100 OPS/MIN
- 5 - INSERTION FORCE : 35 N
8 LB
EXTRACTION FORCE : 28 N
6 LB
MAXIMUM SOLENOID LOCKING FORCE : 1000 N
224 LB
- 6 - ROTATE 1/4 TURN CLOCKWISE TO UNLOCK DEVICES WITH HEAD TO LEFT, SOLENOID UNLOCK AND DEVICES WITH HEAD TO RIGHT, SOLENOID LOCK. ROTATE 1/4 TURN COUNTERCLOCKWISE TO UNLOCK DEVICES WITH HEAD TO LEFT, SOLENOID LOCK AND DEVICES WITH HEAD TO RIGHT, SOLENOID UNLOCK.
- 7 - NOT PRESENT ON TYPE/OVER-RIDE CODES B OR T.
- 8 - SWITCH MUST OPERATE BEFORE REACHING MINIMUM INSERTION DISTANCE.
- 9 - T-15 TAMPERPROOF TORX DRIVER BIT PROVIDED.
- 10 - ELECTRICAL RATINGS ARE FOR BASIC SWITCHES.
- 11 - MINIMUM SOLENOID VOLTAGE : 80% DC, 85% AC OF RATED VOLTAGE
MAXIMUM SOLENOID VOLTAGE : 110% OF RATED VOLTAGE
SOLENOID POWER : 12 WATTS NOMINAL
- 12 - SEE PAGES 10, 11, 12 AND 13 FOR CIRCUIT DIAGRAMS
- 13 - NO CHANGES CAN BE MADE TO THIS DRAWING WITHOUT JOINT FREIGHT / WAREHOUSE APPROVAL.
- 14 - THE LEFT INDICATOR IS YELLOW AND THE RIGHT INDICATOR IS RED
- 15 - 10-PIN CONNECTOR, BRAD HARRISON PART NO.3R1006AZ1F010 OR EQUIVALENT OR EQUIVALENT
- 16 - 4-PIN CONNECTOR, WOODHEAD PART NO.80599-19 OR MOLEX PART NO.08631M2
- 17 - 5-PIN CONNECTOR, BRAD HARRISON PART NO.41310 OR EQUIVALENT
- 18 - CONNECTOR INSTALLED IN BOTTOM CONDUIT HOLE
- 19 - CONNECTOR INSTALLED IN SIDE CONDUIT HOLE
- 20 - "S" MARK APPROVAL APPLICABLE ONLY FOR GKLE4XXXX, GKLE46XXXX, GKRE4XXXX AND GKRE46XXXX SERIES ONLY

ELECTRICAL RATING				ENVIRONMENTAL RATINGS		APPROVALS
AC	DC			IP48 NEMA 1, 4, 6P, 12 & 13		
A300	AC 15	Q300	DC 13	TEMP RANGE	-25°C TO 40°C	
Ue	Ie	Ue	Ie	STORAGE	-13°F TO 104°F	
(VOLTS)	(AMPS)	(VOLTS)	(AMPS)		-40°C TO 120°C	
120	6	24	2.9		-40°F TO 248°F	
240	3	125	.55	SHOCK: 50G PER IEC 68-2-27		
		250	.27	VIBRATION: 10G PER IEC 68-2-6		
11b - 10 A						

THIRD ANGLE PROJECTION

SCALE 1:1

DO NOT SCALE PRINT

TOLERANCES UNLESS OTHERWISE SPECIFIED

UNLESS OTHERWISE SPECIFIED

THIS DRAWING IS THE PROPERTY OF MICRO SWITCH, A DIVISION OF HONEYWELL. THIS DRAWING IS NOT TO BE COPIED OR USED WITHOUT THE APPROVAL OF MICRO SWITCH.

THIS DRAWING IS NOT TO BE COPIED OR USED WITHOUT THE APPROVAL OF MICRO SWITCH.

DATE: 08/11/03

DESIGNER: [Signature]

CHECKED: [Signature]

APPROVED: [Signature]

WEIGHT: 1.5 kg / 3.3 lb

THIS DRAWING COVERS A PROPRIETARY ITEM AND IS THE PROPERTY OF MICRO SWITCH, A DIVISION OF HONEYWELL. THIS DRAWING IS NOT TO BE COPIED OR USED WITHOUT THE APPROVAL OF MICRO SWITCH.

THIS DRAWING IS NOT TO BE COPIED OR USED WITHOUT THE APPROVAL OF MICRO SWITCH.

DATE: 08/11/03

DESIGNER: [Signature]

CHECKED: [Signature]

APPROVED: [Signature]

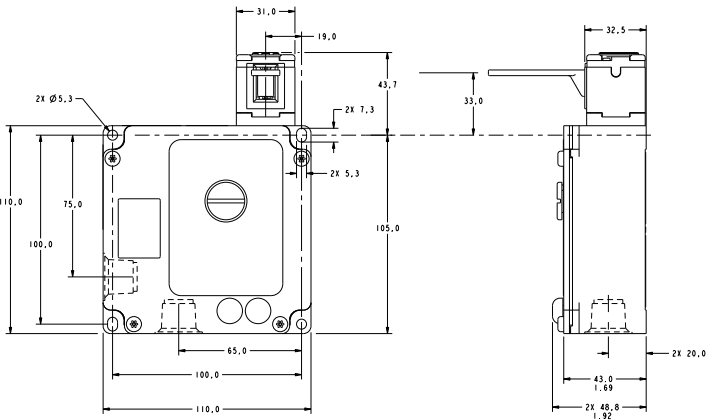
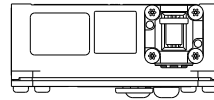
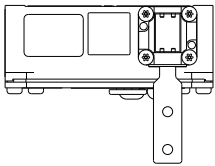
WEIGHT: 1.5 kg / 3.3 lb

ANSI Y14.5M-1982 APPLICABLE

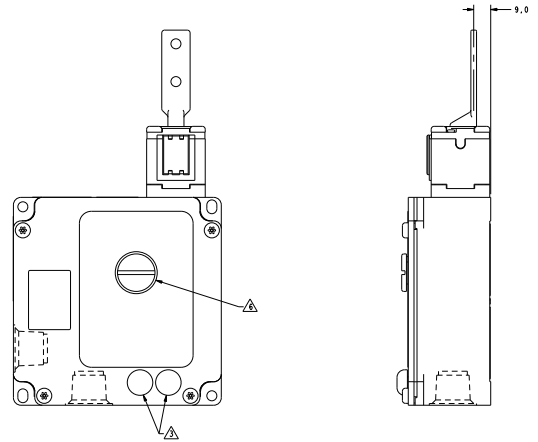
MICRO SWITCH
Honeywell Division

SWITCH - DOOR INTERLOCK

GK SERIES CHART 4



FRONT KEY ENTRY



TOP KEY ENTRY

BODY / INDICATOR CODES R OR G

THIS DRAWING COVERS A PROPRIETARY ITEM AND IS THE PROPERTY OF MICRO SWITCH, A DIVISION OF HONEYWELL. THIS DRAWING IS NOT TO BE COPIED OR USED WITHOUT THE APPROVAL OF MICRO SWITCH.	
DESIGNED BY	CHECKED BY
DRAWN BY	DATE
MATERIAL	
FINISH	
WEIGHT	

THIS DRAWING COVERS A PROPRIETARY ITEM AND IS THE PROPERTY OF MICRO SWITCH, A DIVISION OF HONEYWELL. THIS DRAWING IS NOT TO BE COPIED OR USED WITHOUT THE APPROVAL OF MICRO SWITCH.

128-980-000-000

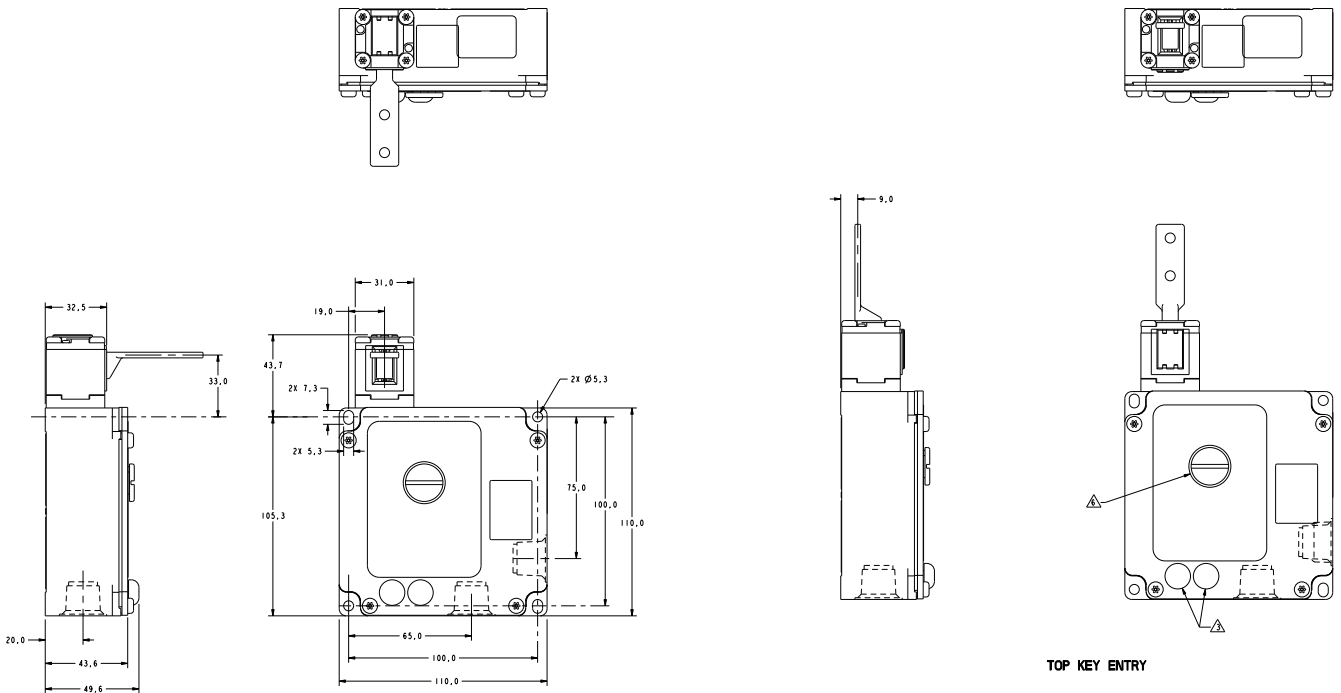
MICRO SWITCH
Honeywell Division

SWITCH - DOOR INTERLOCK

GK SERIES CHART 4

ANSI Y14.5M-1982 APPLIES

FIRST ANGLE PROJECTION	
SCALE	1:1
DO NOT SCALE PRINT	
TOLERANCES	
UNLESS OTHERWISE SPECIFIED	
FRAMES	±0.25
OTHER	±0.10
WEIGHTS	±0.02
WEIGHT 1.5 kg / 3.3 lb	



FRONT KEY ENTRY

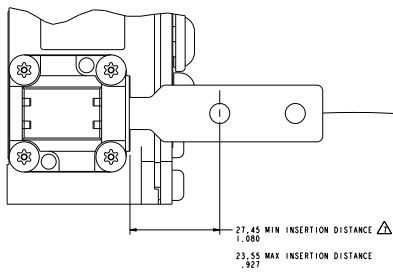
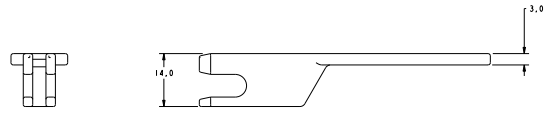
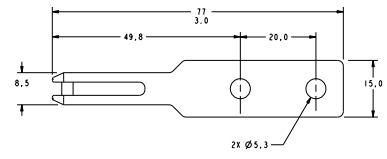
TOP KEY ENTRY

BODY / INDICATOR CODES L OR F

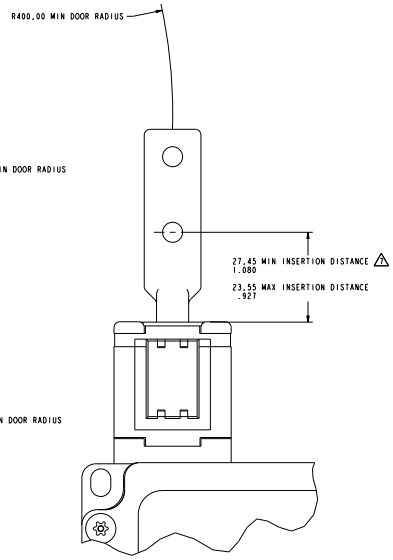
PT/CAD 15
M GK SERIES CHART 4
REV. 11
DATE: 03/08/01
BY: [signature]
CHECKED: [signature]
APPROVED: [signature]

THIS DRAWING COVERS A PROPRIETARY ITEM AND IS THE PROPERTY OF MICRO SWITCH, A DIVISION OF HONEYWELL. THIS DRAWING IS NOT TO BE COPIED OR USED WITHOUT THE APPROVAL OF MICRO SWITCH.	
700-000-0000	COPYRIGHT 1989
MICRO SWITCH	SWITCH - DOOR INTERLOCKING GK SERIES CHART 4
Honeywell Division	
ANSI Y14.5M-1982 APPLIES	THIS DRAWING IS NOT TO BE COPIED OR USED WITHOUT THE APPROVAL OF MICRO SWITCH.
TOLERANCES UNLESS OTHERWISE SPECIFIED: FRACTIONS DECIMALS FRACTIONS DECIMALS FRACTIONS DECIMALS FRACTIONS DECIMALS FRACTIONS DECIMALS FRACTIONS DECIMALS	
WEIGHT: 1.5 kg / 3.3 lb	

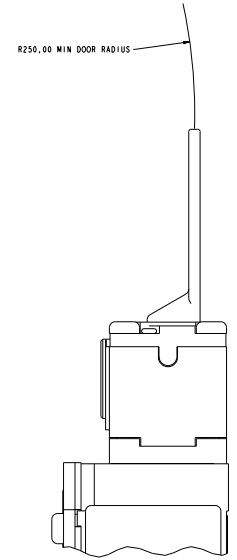
KEY CODE 6



FRONT KEY ENTRY



TOP KEY ENTRY



THIS DRAWING COVERS A PROPRIETARY ITEM AND IS THE PROPERTY OF MICRO SWITCH, A DIVISION OF HONEYWELL. THIS DRAWING IS NOT TO BE COPIED OR USED WITHOUT THE APPROVAL OF MICRO SWITCH.

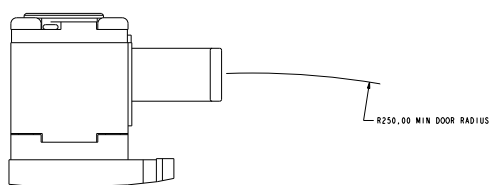
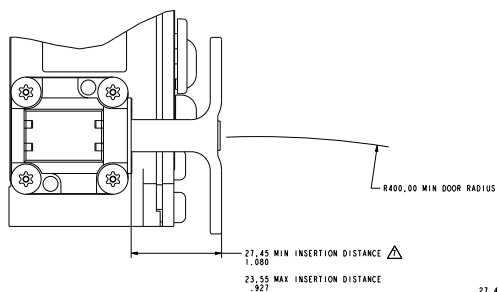
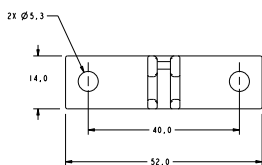
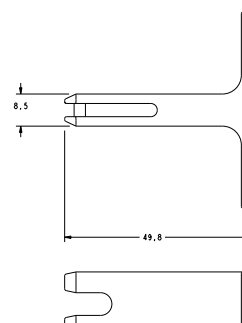
THIS DRAWING IS NOT TO BE COPIED OR USED WITHOUT THE APPROVAL OF MICRO SWITCH.

ANSI Y14.5M-1982 APPLIES

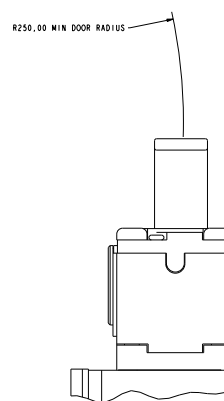
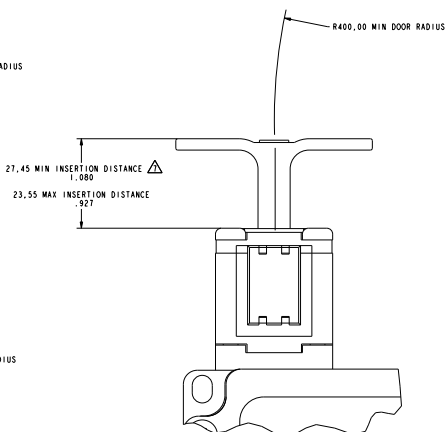
MICRO SWITCH Honeywell Division	SWITCH - DOOR INTERLOCK	GK SERIES CHART 4
---	--------------------------------	--------------------------

FIRST ANGLE PROJECTION	
SCALE	DO NOT SCALE PRINT
TOLERANCES	
UNLESS SPECIFIED OTHERWISE	
FINISH	UNLESS SPECIFIED OTHERWISE
UNIT	UNLESS SPECIFIED OTHERWISE
WEIGHT	UNLESS SPECIFIED OTHERWISE

KEY CODE 7



FRONT KEY ENTRY



TOP KEY ENTRY

THIS DRAWING COVERS A PROPRIETARY ITEM AND IS THE PROPERTY OF MICRO SWITCH, A DIVISION OF HONEYWELL. THIS DRAWING IS NOT TO BE COPIED OR USED WITHOUT THE APPROVAL OF MICRO SWITCH.
 THE MICRO SWITCH COMPANY
 MICRO SWITCH
 Honeywell Division

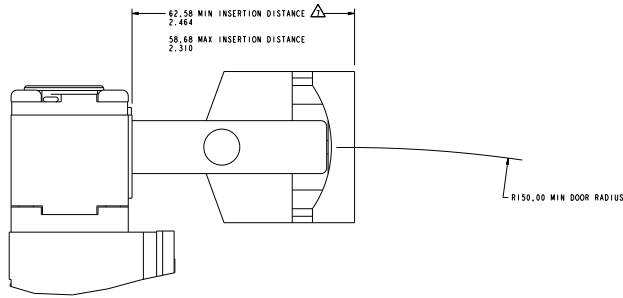
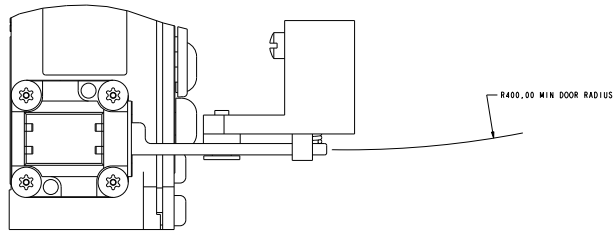
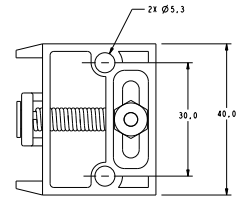
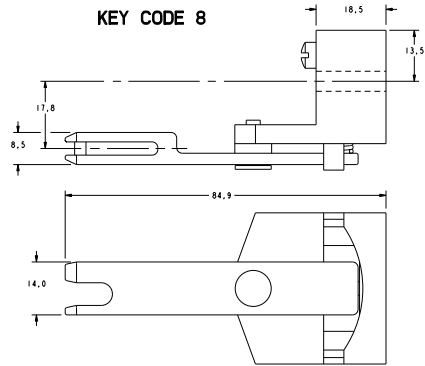
SWITCH - DOOR INTERLOCK

GK SERIES CHART 4

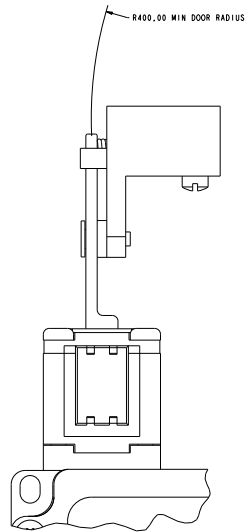
ANSI Y14.5M-1982 APPLIES

THIRD ANGLE PROJECTION	
SCALE	1:1
DO NOT SCALE PRINT	
TOLERANCES	
UNLESS OTHERWISE SPECIFIED	
FRAMES	±.000
HOLES	±.005
OTHER	±.010
FINISHES	AS SHOWN
UNLESS OTHERWISE SPECIFIED	
UNIT	INCHES
WEIGHT	1.5067 3.318

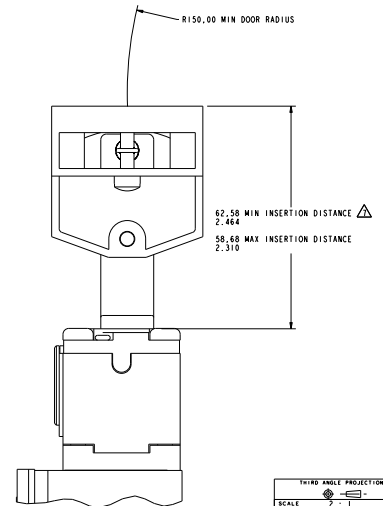
KEY CODE 8



FRONT KEY ENTRY



TOP KEY ENTRY



THIRD ANGLE PROJECTION

SCALE	1:1
DO NOT SCALE PRINT	
TOLERANCES	
UNLESS SHOWN OTHERWISE	
FINISH	
UNIT	MM
WEIGHT	1.5 KG / 3.3 LB

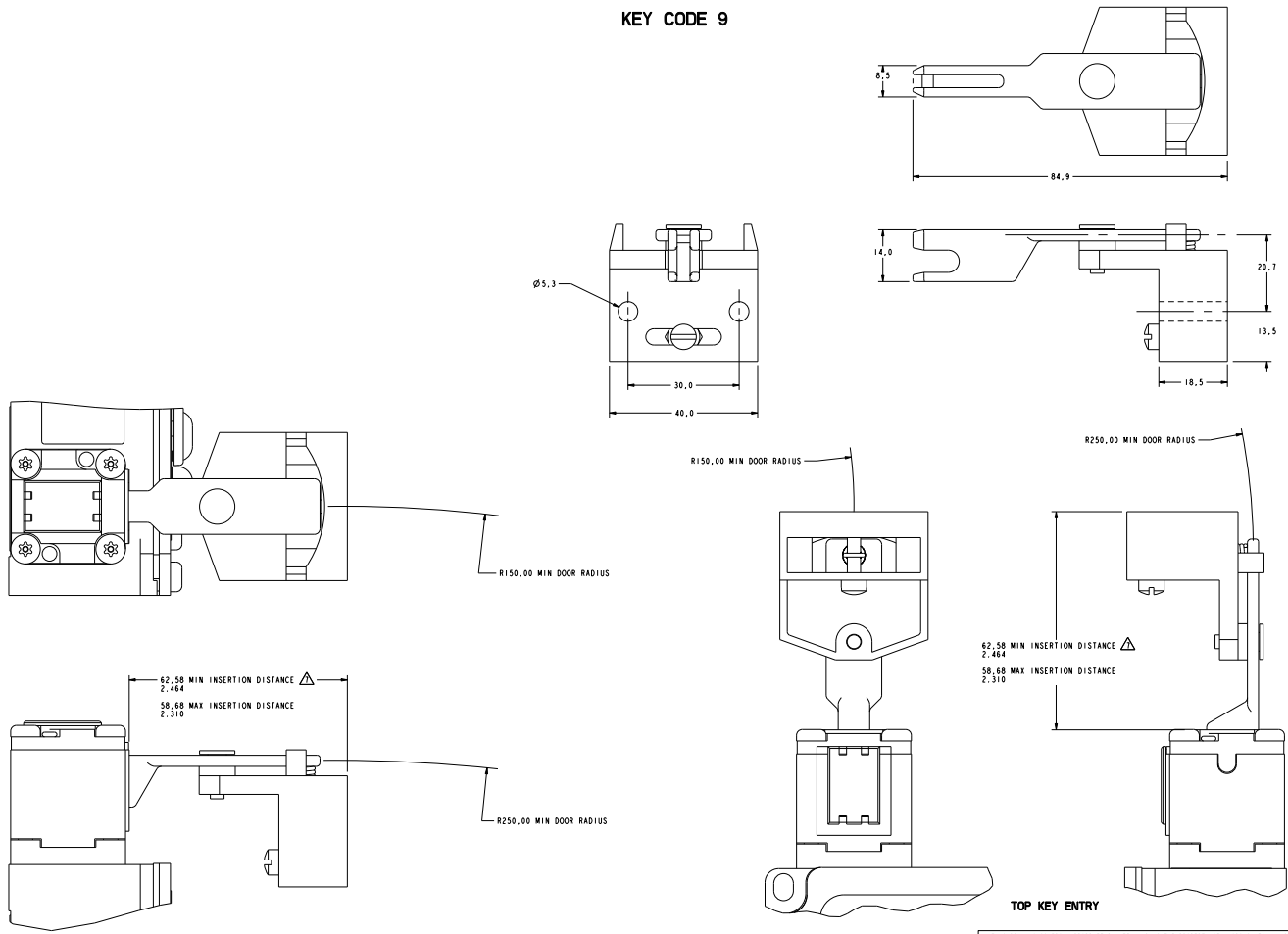
THIS DRAWING COVERS A PROPRIETARY ITEM AND IS THE PROPERTY OF MICRO SWITCH, A DIVISION OF HONEYWELL. THIS DRAWING IS NOT TO BE COPIED OR USED WITHOUT THE APPROVAL OF MICRO SWITCH.
 MICRO SWITCH
 Honeywell Division
 SWITCH - DOOR INTERLOCK
 MK SERIES CHART 4

ANSI Y14.5M-1982 APPLIES

P12/CAD 15
 REV. 1 10/1982
 MCK SERIES CHART 4
 1 2 3 4 5 6 7 8 9 10 11 12 13 14 15 16 17 18 19 20 21 22 23 24 25 26 27 28 29 30 31 32 33 34 35 36 37 38 39 40 41 42 43 44 45 46 47 48 49 50 51 52 53 54 55 56 57 58 59 60 61 62 63 64 65 66 67 68 69 70 71 72 73 74 75 76 77 78 79 80 81 82 83 84 85 86 87 88 89 90 91 92 93 94 95 96 97 98 99 100
 11/82 12/82 1/83 2/83 3/83 4/83 5/83 6/83 7/83 8/83 9/83 10/83 11/83 12/83 1/84 2/84 3/84 4/84 5/84 6/84 7/84 8/84 9/84 10/84 11/84 12/84 1/85 2/85 3/85 4/85 5/85 6/85 7/85 8/85 9/85 10/85 11/85 12/85 1/86 2/86 3/86 4/86 5/86 6/86 7/86 8/86 9/86 10/86 11/86 12/86 1/87 2/87 3/87 4/87 5/87 6/87 7/87 8/87 9/87 10/87 11/87 12/87 1/88 2/88 3/88 4/88 5/88 6/88 7/88 8/88 9/88 10/88 11/88 12/88 1/89 2/89 3/89 4/89 5/89 6/89 7/89 8/89 9/89 10/89 11/89 12/89 1/90 2/90 3/90 4/90 5/90 6/90 7/90 8/90 9/90 10/90 11/90 12/90 1/91 2/91 3/91 4/91 5/91 6/91 7/91 8/91 9/91 10/91 11/91 12/91 1/92 2/92 3/92 4/92 5/92 6/92 7/92 8/92 9/92 10/92 11/92 12/92 1/93 2/93 3/93 4/93 5/93 6/93 7/93 8/93 9/93 10/93 11/93 12/93 1/94 2/94 3/94 4/94 5/94 6/94 7/94 8/94 9/94 10/94 11/94 12/94 1/95 2/95 3/95 4/95 5/95 6/95 7/95 8/95 9/95 10/95 11/95 12/95 1/96 2/96 3/96 4/96 5/96 6/96 7/96 8/96 9/96 10/96 11/96 12/96 1/97 2/97 3/97 4/97 5/97 6/97 7/97 8/97 9/97 10/97 11/97 12/97 1/98 2/98 3/98 4/98 5/98 6/98 7/98 8/98 9/98 10/98 11/98 12/98 1/99 2/99 3/99 4/99 5/99 6/99 7/99 8/99 9/99 10/99 11/99 12/99 1/00 2/00 3/00 4/00 5/00 6/00 7/00 8/00 9/00 10/00 11/00 12/00 1/01 2/01 3/01 4/01 5/01 6/01 7/01 8/01 9/01 10/01 11/01 12/01 1/02 2/02 3/02 4/02 5/02 6/02 7/02 8/02 9/02 10/02 11/02 12/02 1/03 2/03 3/03 4/03 5/03 6/03 7/03 8/03 9/03 10/03 11/03 12/03 1/04 2/04 3/04 4/04 5/04 6/04 7/04 8/04 9/04 10/04 11/04 12/04 1/05 2/05 3/05 4/05 5/05 6/05 7/05 8/05 9/05 10/05 11/05 12/05 1/06 2/06 3/06 4/06 5/06 6/06 7/06 8/06 9/06 10/06 11/06 12/06 1/07 2/07 3/07 4/07 5/07 6/07 7/07 8/07 9/07 10/07 11/07 12/07 1/08 2/08 3/08 4/08 5/08 6/08 7/08 8/08 9/08 10/08 11/08 12/08 1/09 2/09 3/09 4/09 5/09 6/09 7/09 8/09 9/09 10/09 11/09 12/09 1/10 2/10 3/10 4/10 5/10 6/10 7/10 8/10 9/10 10/10 11/10 12/10 1/11 2/11 3/11 4/11 5/11 6/11 7/11 8/11 9/11 10/11 11/11 12/11 1/12 2/12 3/12 4/12 5/12 6/12 7/12 8/12 9/12 10/12 11/12 12/12 1/13 2/13 3/13 4/13 5/13 6/13 7/13 8/13 9/13 10/13 11/13 12/13 1/14 2/14 3/14 4/14 5/14 6/14 7/14 8/14 9/14 10/14 11/14 12/14 1/15 2/15 3/15 4/15 5/15 6/15 7/15 8/15 9/15 10/15 11/15 12/15 1/16 2/16 3/16 4/16 5/16 6/16 7/16 8/16 9/16 10/16 11/16 12/16 1/17 2/17 3/17 4/17 5/17 6/17 7/17 8/17 9/17 10/17 11/17 12/17 1/18 2/18 3/18 4/18 5/18 6/18 7/18 8/18 9/18 10/18 11/18 12/18 1/19 2/19 3/19 4/19 5/19 6/19 7/19 8/19 9/19 10/19 11/19 12/19 1/20 2/20 3/20 4/20 5/20 6/20 7/20 8/20 9/20 10/20 11/20 12/20 1/21 2/21 3/21 4/21 5/21 6/21 7/21 8/21 9/21 10/21 11/21 12/21 1/22 2/22 3/22 4/22 5/22 6/22 7/22 8/22 9/22 10/22 11/22 12/22 1/23 2/23 3/23 4/23 5/23 6/23 7/23 8/23 9/23 10/23 11/23 12/23 1/24 2/24 3/24 4/24 5/24 6/24 7/24 8/24 9/24 10/24 11/24 12/24 1/25 2/25 3/25 4/25 5/25 6/25 7/25 8/25 9/25 10/25 11/25 12/25 1/26 2/26 3/26 4/26 5/26 6/26 7/26 8/26 9/26 10/26 11/26 12/26 1/27 2/27 3/27 4/27 5/27 6/27 7/27 8/27 9/27 10/27 11/27 12/27 1/28 2/28 3/28 4/28 5/28 6/28 7/28 8/28 9/28 10/28 11/28 12/28 1/29 2/29 3/29 4/29 5/29 6/29 7/29 8/29 9/29 10/29 11/29 12/29 1/30 2/30 3/30 4/30 5/30 6/30 7/30 8/30 9/30 10/30 11/30 12/30 1/31 2/31 3/31 4/31 5/31 6/31 7/31 8/31 9/31 10/31 11/31 12/31 1/32 2/32 3/32 4/32 5/32 6/32 7/32 8/32 9/32 10/32 11/32 12/32 1/33 2/33 3/33 4/33 5/33 6/33 7/33 8/33 9/33 10/33 11/33 12/33 1/34 2/34 3/34 4/34 5/34 6/34 7/34 8/34 9/34 10/34 11/34 12/34 1/35 2/35 3/35 4/35 5/35 6/35 7/35 8/35 9/35 10/35 11/35 12/35 1/36 2/36 3/36 4/36 5/36 6/36 7/36 8/36 9/36 10/36 11/36 12/36 1/37 2/37 3/37 4/37 5/37 6/37 7/37 8/37 9/37 10/37 11/37 12/37 1/38 2/38 3/38 4/38 5/38 6/38 7/38 8/38 9/38 10/38 11/38 12/38 1/39 2/39 3/39 4/39 5/39 6/39 7/39 8/39 9/39 10/39 11/39 12/39 1/40 2/40 3/40 4/40 5/40 6/40 7/40 8/40 9/40 10/40 11/40 12/40 1/41 2/41 3/41 4/41 5/41 6/41 7/41 8/41 9/41 10/41 11/41 12/41 1/42 2/42 3/42 4/42 5/42 6/42 7/42 8/42 9/42 10/42 11/42 12/42 1/43 2/43 3/43 4/43 5/43 6/43 7/43 8/43 9/43 10/43 11/43 12/43 1/44 2/44 3/44 4/44 5/44 6/44 7/44 8/44 9/44 10/44 11/44 12/44 1/45 2/45 3/45 4/45 5/45 6/45 7/45 8/45 9/45 10/45 11/45 12/45 1/46 2/46 3/46 4/46 5/46 6/46 7/46 8/46 9/46 10/46 11/46 12/46 1/47 2/47 3/47 4/47 5/47 6/47 7/47 8/47 9/47 10/47 11/47 12/47 1/48 2/48 3/48 4/48 5/48 6/48 7/48 8/48 9/48 10/48 11/48 12/48 1/49 2/49 3/49 4/49 5/49 6/49 7/49 8/49 9/49 10/49 11/49 12/49 1/50 2/50 3/50 4/50 5/50 6/50 7/50 8/50 9/50 10/50 11/50 12/50 1/51 2/51 3/51 4/51 5/51 6/51 7/51 8/51 9/51 10/51 11/51 12/51 1/52 2/52 3/52 4/52 5/52 6/52 7/52 8/52 9/52 10/52 11/52 12/52 1/53 2/53 3/53 4/53 5/53 6/53 7/53 8/53 9/53 10/53 11/53 12/53 1/54 2/54 3/54 4/54 5/54 6/54 7/54 8/54 9/54 10/54 11/54 12/54 1/55 2/55 3/55 4/55 5/55 6/55 7/55 8/55 9/55 10/55 11/55 12/55 1/56 2/56 3/56 4/56 5/56 6/56 7/56 8/56 9/56 10/56 11/56 12/56 1/57 2/57 3/57 4/57 5/57 6/57 7/57 8/57 9/57 10/57 11/57 12/57 1/58 2/58 3/58 4/58 5/58 6/58 7/58 8/58 9/58 10/58 11/58 12/58 1/59 2/59 3/59 4/59 5/59 6/59 7/59 8/59 9/59 10/59 11/59 12/59 1/60 2/60 3/60 4/60 5/60 6/60 7/60 8/60 9/60 10/60 11/60 12/60 1/61 2/61 3/61 4/61 5/61 6/61 7/61 8/61 9/61 10/61 11/61 12/61 1/62 2/62 3/62 4/62 5/62 6/62 7/62 8/62 9/62 10/62 11/62 12/62 1/63 2/63 3/63 4/63 5/63 6/63 7/63 8/63 9/63 10/63 11/63 12/63 1/64 2/64 3/64 4/64 5/64 6/64 7/64 8/64 9/64 10/64 11/64 12/64 1/65 2/65 3/65 4/65 5/65 6/65 7/65 8/65 9/65 10/65 11/65 12/65 1/66 2/66 3/66 4/66 5/66 6/66 7/66 8/66 9/66 10/66 11/66 12/66 1/67 2/67 3/67 4/67 5/67 6/67 7/67 8/67 9/67 10/67 11/67 12/67 1/68 2/68 3/68 4/68 5/68 6/68 7/68 8/68 9/68 10/68 11/68 12/68 1/69 2/69 3/69 4/69 5/69 6/69 7/69 8/69 9/69 10/69 11/69 12/69 1/70 2/70 3/70 4/70 5/70 6/70 7/70 8/70 9/70 10/70 11/70 12/70 1/71 2/71 3/71 4/71 5/71 6/71 7/71 8/71 9/71 10/71 11/71 12/71 1/72 2/72 3/72 4/72 5/72 6/72 7/72 8/72 9/72 10/72 11/72 12/72 1/73 2/73 3/73 4/73 5/73 6/73 7/73 8/73 9/73 10/73 11/73 12/73 1/74 2/74 3/74 4/74 5/74 6/74 7/74 8/74 9/74 10/74 11/74 12/74 1/75 2/75 3/75 4/75 5/75 6/75 7/75 8/75 9/75 10/75 11/75 12/75 1/76 2/76 3/76 4/76 5/76 6/76 7/76 8/76 9/76 10/76 11/76 12/76 1/77 2/77 3/77 4/77 5/77 6/77 7/77 8/77 9/77 10/77 11/77 12/77 1/78 2/78 3/78 4/78 5/78 6/78 7/78 8/78 9/78 10/78 11/78 12/78 1/79 2/79 3/79 4/79 5/79 6/79 7/79 8/79 9/79 10/79 11/79 12/79 1/80 2/80 3/80 4/80 5/80 6/80 7/80 8/80 9/80 10/80 11/80 12/80 1/81 2/81 3/81 4/81 5/81 6/81 7/81 8/81 9/81 10/81 11/81 12/81 1/82 2/82 3/82 4/82 5/82 6/82 7/82 8/82 9/82 10/82 11/82 12/82 1/83 2/83 3/83 4/83 5/83 6/83 7/83 8/83 9/83 10/83 11/83 12/83 1/84 2/84 3/84 4/84 5/84 6/84 7/84 8/84 9/84 10/84 11/84 12/84 1/85 2/85 3/85 4/85 5/85 6/85 7/85 8/85 9/85 10/85 11/85 12/85 1/86 2/86 3/86 4/86 5/86 6/86 7/86 8/86 9/86 10/86 11/86 12/86 1/87 2/87 3/87 4/87 5/87 6/87 7/87 8/87 9/87 10/87 11/87 12/87 1/88 2/88 3/88 4/88 5/88 6/88 7/88 8/88 9/88 10/88 11/88 12/88 1/89 2/89 3/89 4/89 5/89 6/89 7/89 8/89 9/89 10/89 11/89 12/89 1/90 2/90 3/90 4/90 5/90 6/90 7/90 8/90 9/90 10/90 11/90 12/90 1/91 2/91 3/91 4/91 5/91 6/91 7/91 8/91 9/91 10/91 11/91 12/91 1/92 2/92 3/92 4/92 5/92 6/92 7/92 8/92 9/92 10/92 11/92 12/92 1/93 2/93 3/93 4/93 5/93 6/93 7/93 8/93 9/93 10/93 11/93 12/93 1/94 2/94 3/94 4/94 5/94 6/94 7/94 8/94 9/94 10/94 11/94 12/94 1/95 2/95 3/95 4/95 5/95 6/95 7/95 8/95 9/95 10/95 11/95 12/95 1/96 2/96 3/96 4/96 5/96 6/96 7/96 8/96 9/96 10/96 11/96 12/96 1/97 2/97 3/97 4/97 5/97 6/97 7/97 8/97 9/97 10/97 11/97 12/97 1/98 2/98 3/98 4/98 5/98 6/98 7/98 8/98 9/98 10/98 11/98 12/98 1/99 2/99 3/99 4/99 5/99 6/99 7/99 8/99 9/99 10/99 11/99 12/99 1/100 2/100 3/100 4/100 5/100 6/100 7/100 8/100 9/100 10/100 11/100 12/100

KEY CODE 9

MCK SERIES CHART 4



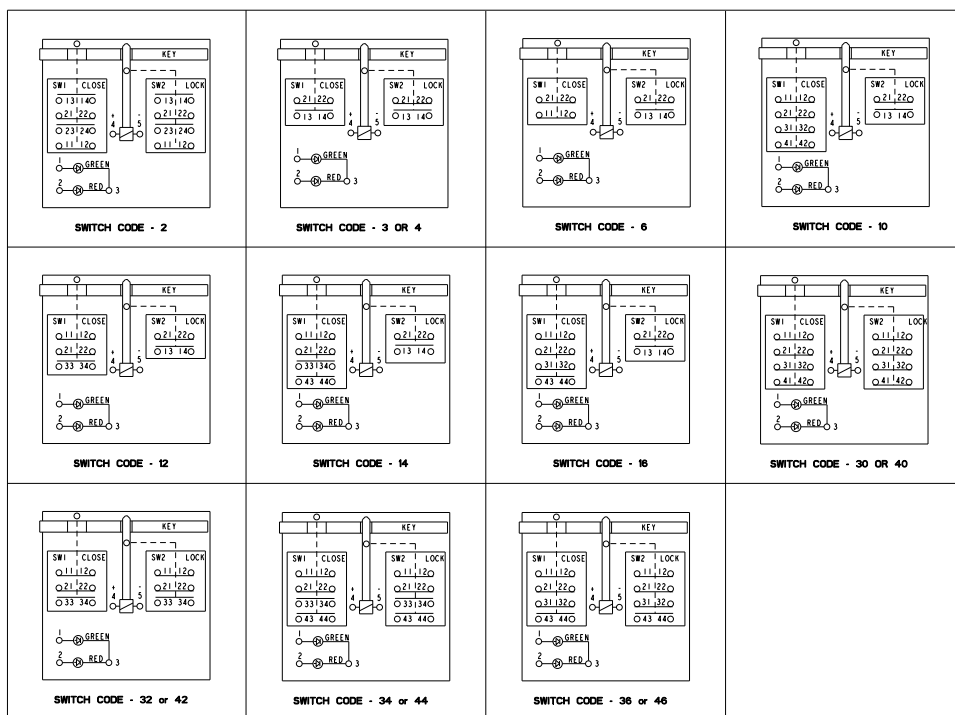
THIS DRAWING COVERS A PROPRIETARY ITEM AND IS THE PROPERTY OF MICRO SWITCH, A DIVISION OF HONEYWELL. THIS DRAWING IS NOT TO BE COPIED OR USED WITHOUT THE APPROVAL OF MICRO SWITCH.		COPYRIGHT © 1982	
TYPED ANGLE PROJECTION			
SCALE	DO NOT SCALE PRINT	TOLERANCES	
		UNLESS SPECIFIED OTHERWISE	
		FRACTIONS	
		DECIMALS	
		DIMENSIONS	
		WEIGHT	
		LENGTH	
		WIDTH	
		HEIGHT	
		DIAMETER	
		RADIUS	
		ANGLE	
		SURFACE	
		FINISH	
		MATERIAL	
		QUANTITY	
		DATE	
		DRAWN BY	
		CHECKED BY	
		APPROVED BY	
		REVISIONS	
		DESCRIPTION	
		DRAWING NO.	
		SHEET NO.	
		TOTAL SHEETS	
		WEIGHT	
		LENGTH	
		WIDTH	
		HEIGHT	
		DIAMETER	
		RADIUS	
		ANGLE	
		SURFACE	
		FINISH	
		MATERIAL	
		QUANTITY	
		DATE	
		DRAWN BY	
		CHECKED BY	
		APPROVED BY	

ANSI Y14.5M-1982 APPLIES

MICRO SWITCH
Honeywell Division

SWITCH - DOOR INTERLOCK

MCK SERIES CHART 4



BODY / INDICATOR CODES - L OR R
TYPE / OVERRIDE CODES - A OR B
DIAGRAMS SHOWN WITH KEY INSERTED AND LOCKED

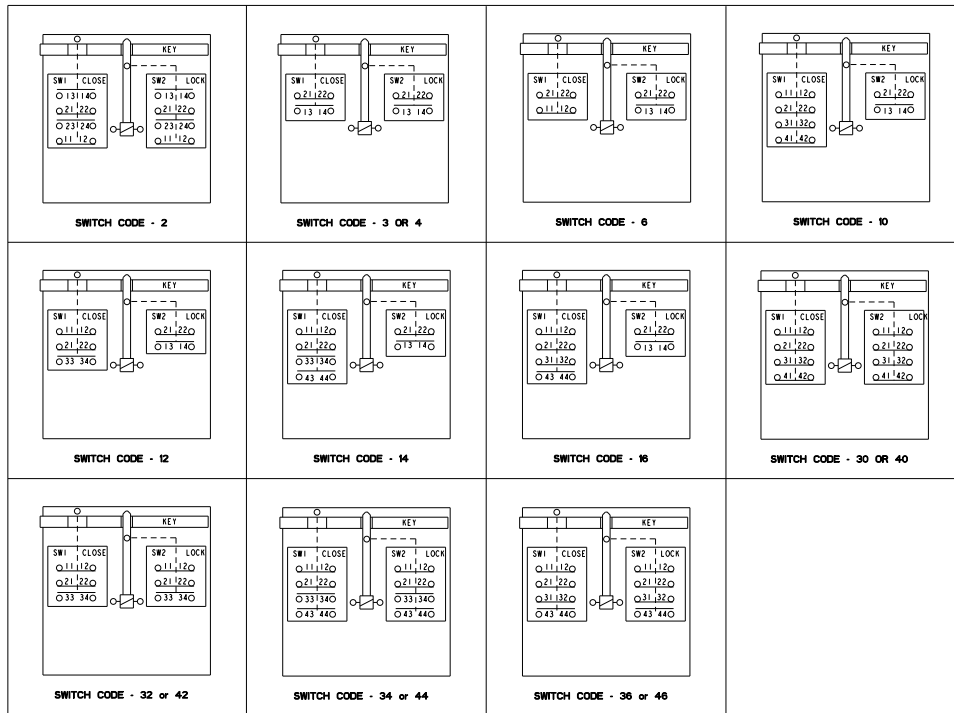
THIS DRAWING COVERS A PROPRIETARY ITEM AND IS THE PROPERTY OF MICRO SWITCH, A DIVISION OF HONEYWELL. THIS DRAWING IS NOT TO BE COPIED OR USED WITHOUT THE APPROVAL OF MICRO SWITCH.
SEE THE CASE FILE FOR CONTACT LISTING.
MICRO SWITCH
Honeywell Division

SWITCH - DOOR INTERLOCK

MK SERIES CHART 4

THIRD ANGLE PROJECTION	
SCALE	1:1
DO NOT SCALE PRINT	
TOLERANCES	
UNLESS OTHERWISE SPECIFIED	
DIMENSIONS ARE IN MILLIMETERS	
DATE	BY
REVISED	BY
DESIGNED	BY
CHECKED	BY
APPROVED	BY
WEIGHT	1.586 / 3.318

ANSI Y14.5M-1982 APPLIES



BODY / INDICATOR CODES - F OR G
 TYPE / OVER-RIDE CODES - A OR B
 DIAGRAMS SHOWN WITH KEY INSERTED AND LOCKED

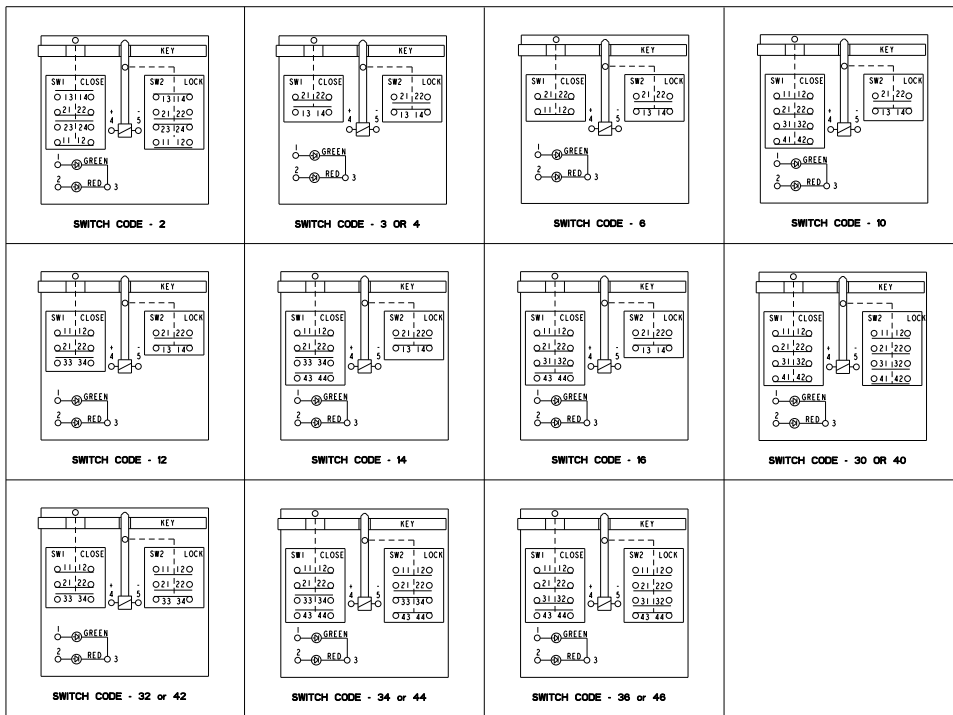
THIS DRAWING COVERS A PROPRIETARY ITEM AND IS THE PROPERTY OF MICRO SWITCH, A DIVISION OF HONEYWELL. THIS DRAWING IS NOT TO BE COPIED OR USED WITHOUT THE APPROVAL OF MICRO SWITCH.
 TYPED AND CHECKED BY: _____ DATE: _____
 DESIGNED BY: _____ DATE: _____
 MICRO SWITCH
 Honeywell Division

SWITCH - DOOR INTERLOCK

GK SERIES CHART 4

THIRD ANGLE PROJECTION	
SCALE	1:1
DO NOT SCALE PRINT	
TOLERANCES UNLESS OTHERWISE SPECIFIED	
DIMENSIONS IN PARENTHESES ARE FOR INFORMATION ONLY	
UNIT	INCH
WEIGHT	1.566 / 3.318

ANSI Y14.5M-1982 APPLIES



BODY / INDICATOR CODES - L OR R
 TYPE / OVER-RIDE CODES - S OR T
 DIAGRAMS SHOWN WITH KEY INSERTED AND LOCKED

THIS DRAWING COVERS A PROPRIETARY ITEM AND IS THE PROPERTY OF MICRO SWITCH, A DIVISION OF HONEYWELL. THIS DRAWING IS NOT TO BE COPIED OR USED WITHOUT THE APPROVAL OF MICRO SWITCH.

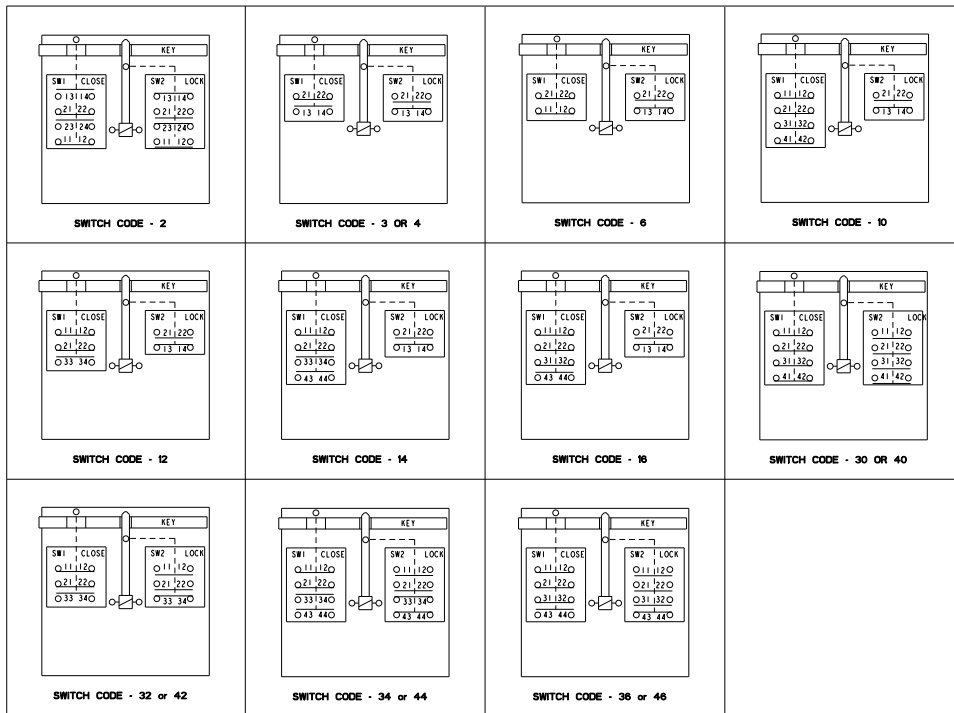
ANSI Y14.2M-1982 APPLIES

MICRO SWITCH
 Honeywell Division

SWITCH - DOOR INTERLOCK

GK SERIES CHART 4

ENTER ANGLE PROJECTION	FIRST ANGLE	
SCALE	1:1	
DO NOT SCALE PRINT		
TOLERANCES	FRACTIONS DECIMALS	
	0.005	0.005
	0.010	0.010
	0.015	0.015
	0.020	0.020
	0.030	0.030
	0.050	0.050
	0.100	0.100
	0.150	0.150
	0.200	0.200
	0.300	0.300
	0.400	0.400
	0.500	0.500
	0.600	0.600
	0.700	0.700
	0.800	0.800
	0.900	0.900
	1.000	1.000
	1.500	1.500
	2.000	2.000
	3.000	3.000
	4.000	4.000
	5.000	5.000
	6.000	6.000
	8.000	8.000
	10.000	10.000
	15.000	15.000
	20.000	20.000
	30.000	30.000
	40.000	40.000
	50.000	50.000
	60.000	60.000
	80.000	80.000
	100.000	100.000
	150.000	150.000
	200.000	200.000
	300.000	300.000
	400.000	400.000
	500.000	500.000
	600.000	600.000
	800.000	800.000
	1000.000	1000.000
	1500.000	1500.000
	2000.000	2000.000
	3000.000	3000.000
	4000.000	4000.000
	5000.000	5000.000
	6000.000	6000.000
	8000.000	8000.000
	10000.000	10000.000
	15000.000	15000.000
	20000.000	20000.000
	30000.000	30000.000
	40000.000	40000.000
	50000.000	50000.000
	60000.000	60000.000
	80000.000	80000.000
	100000.000	100000.000
	150000.000	150000.000
	200000.000	200000.000
	300000.000	300000.000
	400000.000	400000.000
	500000.000	500000.000
	600000.000	600000.000
	800000.000	800000.000
	1000000.000	1000000.000



BODY / INDICATOR CODES - F OR G
TYPE / OVERRIDE CODES - S OR T
DIAGRAMS SHOWN WITH KEY INSERTED AND LOCKED

THIS DRAWING COVERS A PROPRIETARY ITEM AND IS THE PROPERTY OF MICRO SWITCH, A DIVISION OF HONEYWELL. THIS DRAWING IS NOT TO BE COPIED OR USED WITHOUT THE APPROVAL OF MICRO SWITCH.
TYPED OR COPY PRINTED
MICRO SWITCH
Honeywell Division

SWITCH - DOOR INTERLOCK

MK SERIES CHART 4

THIRD ANGLE PROJECTION	
SCALE	1:1
DO NOT SCALE PRINT	
TOLERANCES	
UNLESS OTHERWISE SPECIFIED	
FRACTIONS	
DECIMALS	
HOLE DIA. AND TAP DRILL DIA. ARE	
DIMENSIONS UNLESS NOTED BY	
DATE	BY
CHECKED	APPROVED
DESIGNED	ENGINEER
WEIGHT 1.58G / 3.3 LB	

ANSI Y14.5M-1982 APPLIES

MICRO SWITCH
a Honeywell Division
FED. MFG. CODE 91929

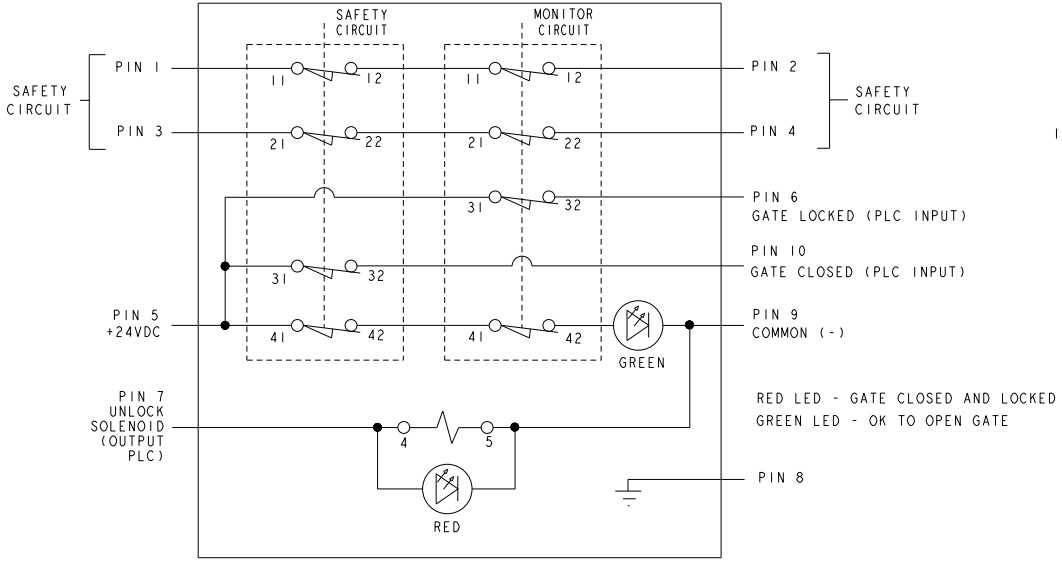
SWITCH-DOOR INTERLOCK

GK SERIES CHART 4

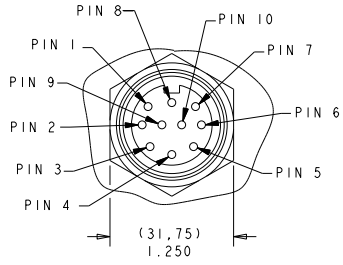
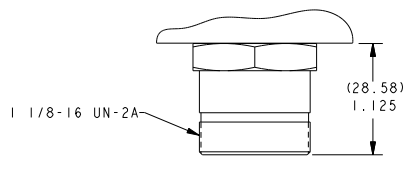
CATALOG LISTING

THIS DRAWING COVERS A PROPRIETARY ITEM AND IS THE PROPERTY OF MICRO SWITCH, A DIVISION OF HONEYWELL. THIS DRAWING IS NOT TO BE COPIED OR USED WITHOUT THE APPROVAL OF MICRO SWITCH

MODIFICATION CODE: F05



SWITCH DIAGRAM STATE IS CLOSED AND LOCKED



300V 7A
BRAD-HARRISON PART NO. 3R1006A21F010
OR EQUIVALENT

THIRD ANGLE PROJECTION			
SCALE NTS			
DO NOT SCALE PRINT			
TOLERANCES			
APPLY TO DESIGN UNITS. CONVERSIONS ARE ONLY FOR REFERENCE. UNLESS NOTED, TOLERANCES ARE:			
	FR.	TOL.	FR.
	CON.	APP.	CON.
NO PLACES	1 / .04	1.1	0.01 / .1
ONE PLACE	1.1 / .004	1.11	0.01 / .005
TWO PLACES	1.11 / .0005	1.111	0.01 / .0005
THREE PLACES	1.111 / .00005	1.1111	0.01 / .00005
ANGLES			
DESIGN UNITS	<input checked="" type="checkbox"/> SI METRIC	<input type="checkbox"/> US CUSTOMARY	
WEIGHT 2.3 kg / 5 LB MAX			

ANSI Y14.5M-1982 APPLIES

MICRO SWITCH
a Honeywell Division
FED. MFG. CODE 91929

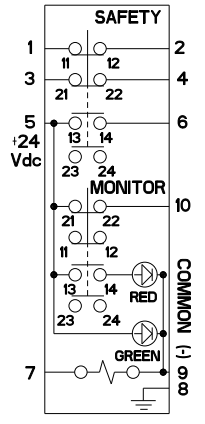
SWITCH-DOOR INTERLOCK

CATALOG LISTING
GK SERIES CHART 4

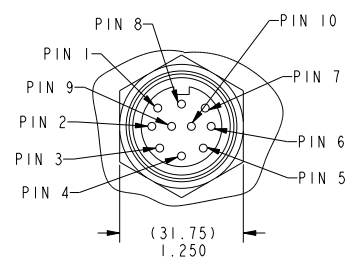
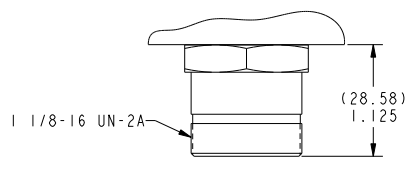
THIS DRAWING COVERS A PROPRIETARY ITEM AND IS THE PROPERTY OF MICRO SWITCH, A DIVISION OF HONEYWELL. THIS DRAWING IS NOT TO BE COPIED OR USED WITHOUT THE APPROVAL OF MICRO SWITCH

MODIFICATION CODE: F04

CATALOG LISTING
GK SERIES CHART 4
ISSUE **M**
52
PAGE 16 OF 16
REPLACES
RELEASE NO.
CHECK
04FEB09
PRG
04FEB09
CHECK
17DEC04
CHECK
AK
PTC/CAD 3D
DRAWN
RS
17DEC04
CHECK
AK
ANSI Y14.5M-1982 APPLIES



SWITCH DIAGRAM STATE IS CLOSED AND LOCKED



300V 7A
BRAD-HARRISON PART NO. 3R1006A21F010
OR EQUIVALENT

THIRD ANGLE PROJECTION			
SCALE		NTS	
DO NOT SCALE PRINT			
TOLERANCES			
APPLY TO DESIGN UNITS. CONVERSIONS ARE ONLY FOR REFERENCE. UNLESS NOTED, TOLERANCES ARE:			
	FR.	TOL.	FR.
	mm	mm ±	inch
NO PLACES	± 0.25	± 0.1	± 0.005
ONE PLACE	± 0.1	± 0.05	± 0.0025
TWO PLACES	± 0.05	± 0.025	± 0.00125
THREE PLACES	± 0.025	± 0.0125	± 0.000625
DESIGN UNITS		<input checked="" type="checkbox"/> SI METRIC <input type="checkbox"/> US CUSTOMARY	
WEIGHT 2.3 kg / 5 LB MAX			