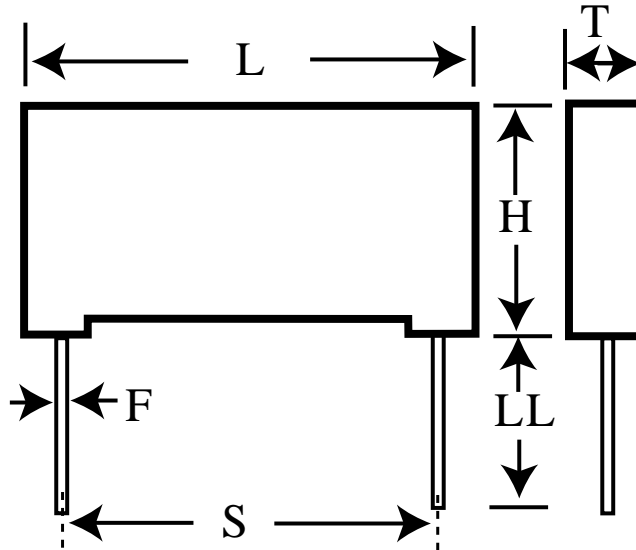


PME271E547MR19T0

aka P277QS473M300L

Capacitor, film, 0.047 uF, +/-20% Tol, -40/+110C, Safety: X1, 300VAC,
Lead Spacing=15.2 mm



Dimensions (mm)

ID	Dimension	Tolerance
L	18.5	max
H	14.3	max
T	8.5	max
S	15.2	+/-0.4
LL	19	nom
F	0.8	nom

Specifications

Manufacturer:	KEMET
Brand:	Rifa
Capacitance:	0.047 uF
Temperature Range:	-40/+110C
Rated Temperature:	110C
Voltage @ rated temp:	630V
Voltage AC:	300VAC
Tolerance:	+/-20%
Body Type:	Radial Molded
Construction:	Non-inductive
Application:	Safety: X1
Dielectric:	Metallized Paper
Dissipation Factor @ 1 kHz:	1.3%
Insulation Resistance:	12 GOhm
Maximum dVdT:	1200v/us
UL_1283:	250V
IEC_60384-14:	300V
EN_132400:	300V
Miscellaneous Electrical:	fo= 6.4 MHz series(PME271E)
Package Kind:	T&R
Package Size:	360mm
Package Quantity:	350