

KSS Series Subminiature SMT Side Actuated



Features/Benefits

- Low profile of 1.6 mm
- Excellent tactile feel
- High shear force
- Range of actuation forces
- Large flat top
- Redundant contacts option
- IP 40 sealed
- RoHS compliant and compatible

Typical Applications

- Cellular phone
- PA, pagers
- Industrial electronics
- Health diagnostic electronics

Specification

FUNCTION: momentary action
CONTACT ARRANGEMENT: N.O.
TERMINALS: Gullwing / 3-Way type for SMT
IP40 sealed

Mechanical

OVERLOAD: 20N
TACTILE FEELING: 2 and 4N: 25% min.
2.5N: 30% min.

| Type | Operating force Newtons (grams) | Operating life (operations) | Travel |
|---------|------------------------------------|--------------------------------|------------|
| KSS221G | 2.0 (200) ± 0.5 | 100,000 | 0,3 ± 0,15 |
| KSS231G | 2.5 (250) ± 0.5 | 100,000 | 0,3 ± 0,10 |
| KSS233W | 2.5 (250) ± 0.6 | 100,000 | 0,3 ± 0,15 |
| KSS241G | 4.0 (400) ± 1.0 | 100,000 | 0,3 ± 0,15 |

NOTE: Specifications listed above are for switches with standard options.
For information on specific and custom switches, consult Customer Service Center.

Electrical

| | Silver | Gold |
|--|--------|--------|
| MAXIMUM POWER: | 1 VA | 0.2 VA |
| MAXIMUM VOLTAGE: | 32 VDC | 32 VDC |
| MAXIMUM CURRENT: | 50 mA | 10 mA |
| MINIMUM CURRENT: | 1 mA | 1 mA |
| DIELECTRIC STRENGTH: ≥ 250 VDC | | |
| CONTACT RESISTANCE: < 100 mΩ | | |
| INSULATION RESISTANCE (100 VDC): ≥ 10 ⁹ Ω | | |
| BOUNCE TIME: < 3 ms | | |

Environmental

| | Silver | Gold |
|------------------------|---------------|----------------|
| OPERATING TEMPERATURE: | -40°C to 85°C | -40°C to 125°C |
| STORAGE TEMPERATURE: | -55°C to 85°C | -55°C to 125°C |

Process

Infrared reflow soldering in accordance with IEC 61760-1

Packaging

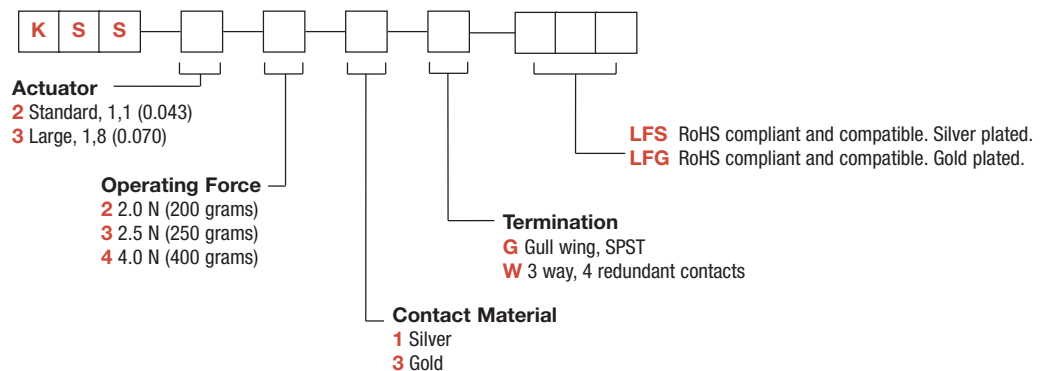
Tape and reels in reels of 3,000 pieces.
External diameter 330mm ± 2mm.

How To Order

Our easy build-a-switch concept allows you to mix and match options to create the switch you need. To order, select desired option from each category and place it in the appropriate box.

However, please note that all the combinations of these options are not feasible.

For any part number different from those listed above, please consult your local representative.



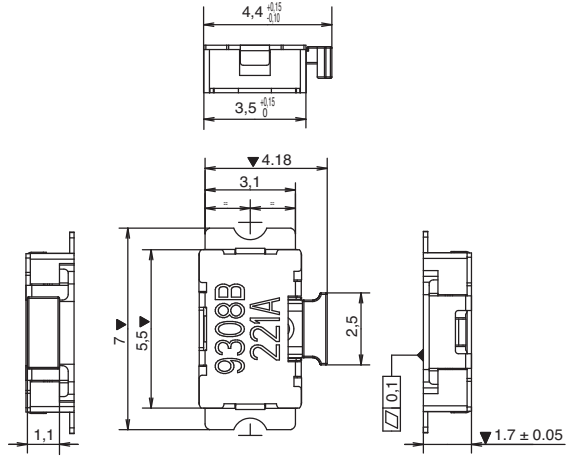
Dimensions are shown: Inch (mm)
Specifications and dimensions subject to change

KSS Series Subminiature SMT Side Actuated

KSS

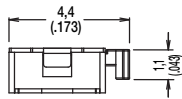
B

Tactile Switches

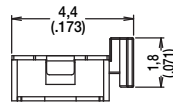


ACTUATOR

2 STANDARD, 1,1 (0.043)

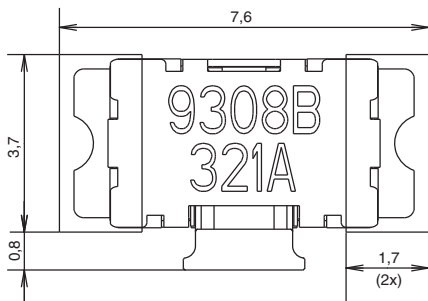


3 LARGE, 1,8 (0.070)

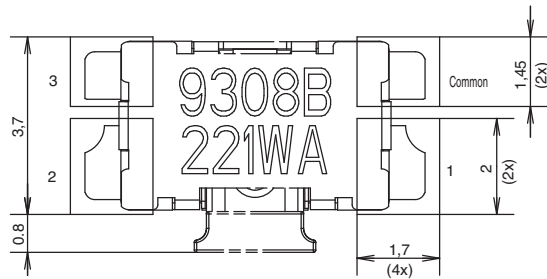


TERMINATION

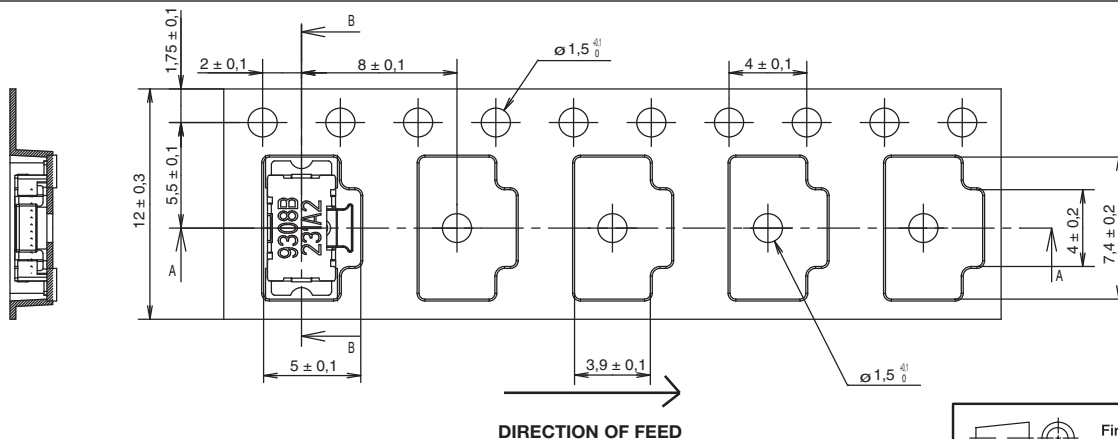
G GULLWING



W 3 WAY, 4 REDUNDANT CONTACTS



TAPE & REEL



Dimensions are shown: Inch (mm)
Specifications and dimensions subject to change

