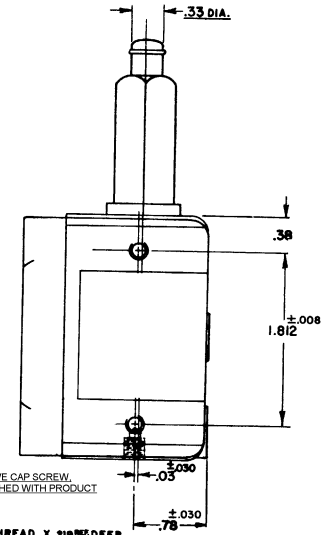
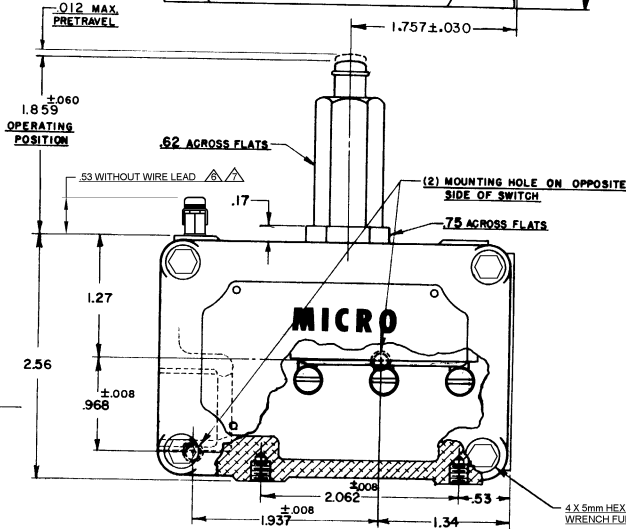
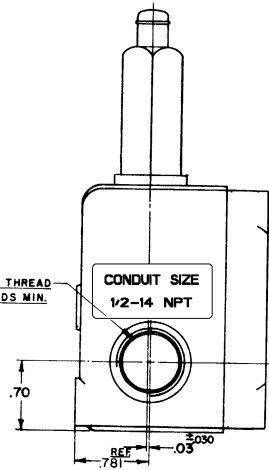
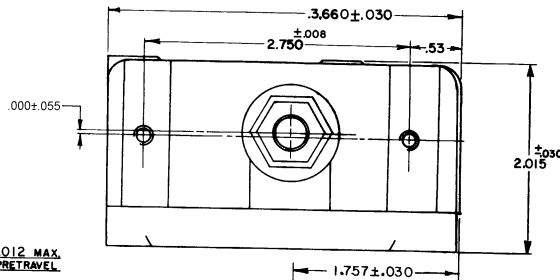
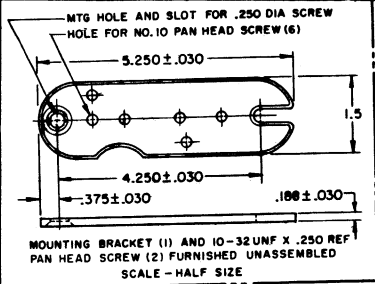


MICRO SWITCH

SWITCH - ENCLOSED

**CATALOG LISTING
EX-Q1**

THIS DRAWING IS A PROPRIETARY ITEM AND IS THE PROPERTY OF MICRO SWITCH, A DIVISION OF HONEYWELL. THIS DRAWING IS NOT TO BE COPIED OR USED WITHOUT THE APPROVAL OF MICRO SWITCH.



EX-Q1

REPLACES ISSUE 1

ISSUE 15

REVISIONS

A	C.O. 8520	K. A. F.
B	FEB 62	10015809
C	CO 18276	18 JUNE 64
D	CO 19878	W. B. F.
E	CO 23964	26 OCT 68
F	CO 28103	19 SEP 92
G	CO 38580	N 0012750
H	CO 41173	09 MAY 05
I	CO 52779A	P 0059237
J	CO 58890	LK 03DEC09
K	CO 61381	

22 APR 92

CHARACTERISTICS

OPERATING FORCE - - - - - 10 OZ. MAX.

RELEASE FORCE - - - - - 4 OZ. MIN.

DIFFERENTIAL TRAVEL - - - .001 MAX.

OVERTRAVEL - - - - - .188 MIN.

SWITCH - BASIC REPLACEMENT - - - BZ-R-P4

ELECTRICAL DATA

CONTACT ARRANGEMENT S. P. D. T.

- L103 - 15 A - 125, 250 OR 480 VAC
1/8 HP - 125 VAC; 1/4 HP - 250 VAC

SCALE - FULL

DO NOT SCALE PRINT

UNLESS OTHERWISE SPECIFIED

DIMENSIONS ARE IN INCHES

TOLERANCES ARE:

ONE PLACE	(.0)	± .030
TWO PLACE	(.00)	± .018
THREE PLACE	(.000)	± .008
ANGLES		±

WEIGHT

NOTE -

1-(8) MOUNTING SCREW HOLE, 10-32 NF-28 THREAD X .219^{MIN} DEEP.

2-8-32 NC X .219^{MIN} TERMINAL SCREWS AND CUP WASHERS.

3-EXPLOSION PROOF - UNDERWRITERS LAB INC. LISTED FOR HAZARDOUS LOCATIONS NEMA 7, CLASS I GROUPS C AND D, NEMA 9, CLASS II, GROUPS E, F AND G.

4 - EUROPEAN HAZARDOUS LOCATIONS DESIGNATION: Ex d IIB + H2 T6 CATEGORY II 2 G.

5 - SEAL RATING: NEMA 1

EXTERNAL GROUND SCREW MAY BE ASSEMBLED TO ANY UNUSED MOUNTING SCREW HOLE

ASSEMBLE PROVIDED SPLIT LOCKWASHER BETWEEN GROUND LUG AND HOUSING